



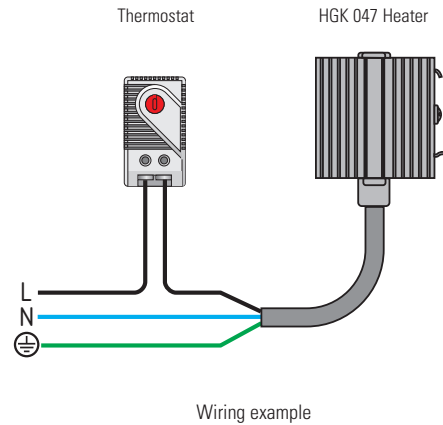
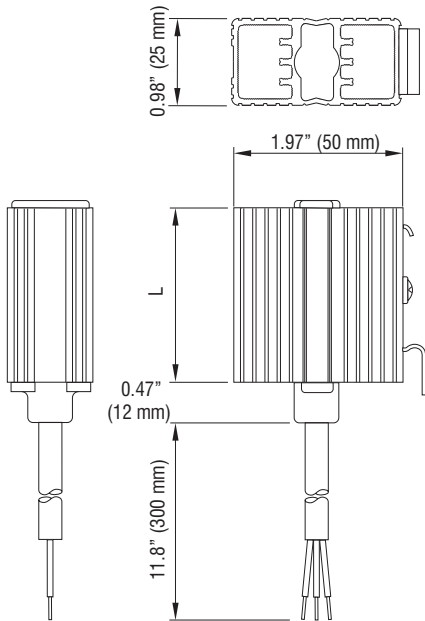
- Compact size**
- Wide voltage range**
- Heating power adjusts to ambient temperature**
- DIN rail mountable**

The HGK 047 heaters are used in enclosures to maintain minimum operating temperatures and to help prevent failure of electronic components caused by condensation and corrosion.



### Technical Data

<b>Operating voltage</b>	see table below
<b>Heating element</b>	PTC resistor - temperature limiting
<b>Heater body</b>	extruded aluminum profile, anodized
<b>Connection</b>	3 x AWG 20 (0.5mm <sup>2</sup> ), 12" (300mm) length
<b>Mounting</b>	clip for 35mm DIN rail, EN 60 715
<b>Mounting position</b>	vertical
<b>Operating / Storage temperature</b>	-49 to +158°F (-45 to +70°C)
<b>Protection class</b>	I (grounded)
<b>Protection type</b>	IP54



Part No.	Heating capacity <sup>1)</sup>	Operating voltage <sup>2)</sup>	Max. current (inrush)	Length (L)	Weight (approx.)	Approvals
04700.0-00	10W	AC/DC 140-240V	1.0A	2.05" (52mm)	3.0 oz. (85g)	VDE
04701.0-00	20W	AC/DC 140-240V	2.5A	2.36" (60mm)	3.6 oz. (100g)	VDE
04702.0-00	30W	AC/DC 140-240V	3.0A	2.76" (70mm)	4.0 oz. (110g)	VDE
04700.9-00	10W	AC/DC 110-120V	1.0A	2.05" (52mm)	3.0 oz. (85g)	UL File No. E150057
04701.9-00	20W	AC/DC 110-120V	1.5A	2.76" (70mm)	4.0 oz. (110g)	UL File No. E150057
04702.9-00	30W	AC/DC 110-120V	1.5A	3.94" (100mm)	5.2 oz. (150g)	UL File No. E150057

<sup>1)</sup> at 68°F (20°C) ambient temperature

<sup>2)</sup> operating with voltages below 140V AC/DC reduces heating performance by approx. 10% (min. 110V, max 265V).

Specifications are subject to change without notice. Suitability of this product for its intended use and any associated risks must be determined by the end customer/ buyer in its final application.