



- Pressure clamp connectors
- Dynamic heating up
- Wide voltage range
- Energy saving
- Clip fixing
- Quick installation

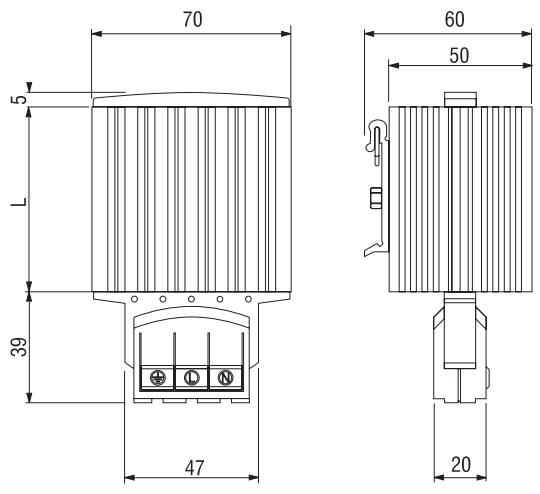
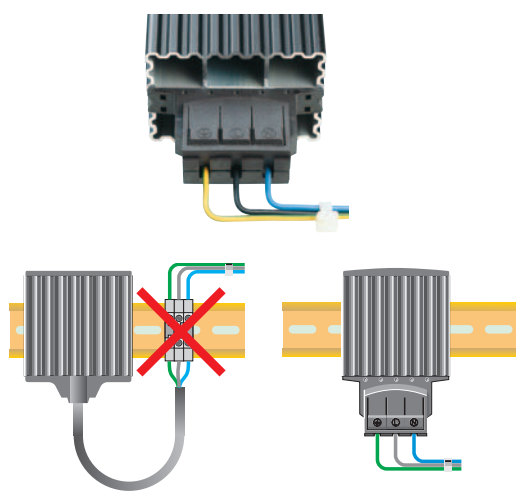
These heaters are used in enclosures where damage from condensation must be prevented, or where the temperature may not fall below a minimum value. The aluminium profile heater body design has a chimney effect and distributes the heat evenly. The heaters are designed for permanent operation. Pressure clamp connectors save time and simplify installation.



Technical Data

Operating voltage	120-240V AC/DC* (min. 110V, max. 265V)
Heating element	PTC resistor - temperature limiting
Heater body	extruded aluminium profile, anodised
Connection	3 pressure clamps for stranded wire 0.5-1.5mm ² (with wire end ferrule) and rigid wire 0.5-2.5mm ²
Connection casing	plastic according to UL94 V-0, black
Mounting	clip for 35mm DIN rail, EN 60715
Fitting position	vertical airflow (air outlet up, connection on bottom)
Operating / Storage temperature	-45 to +70°C (-49 to +158°F)
Operating / Storage humidity	max. 90% RH (non-condensing)
Protection type / Protection class	IP20 / I (earthed)
Approvals	VDE + UL File No. E150057
Accessories	screw fixing, Art. No. 09024.0-00 (1 packing unit = 2 pieces)
Note	other voltages on request

*Operating with voltages below 140V AC/DC reduces heating performance by approx. 10%.



Art. No.	Heating capacity*	Inrush current max.	Pre-fuse T (time-delay)	Length (L)	Weight (approx.)
14000.0-00	15W	1.5A	1A	65mm	0.3kg
14001.0-00	30W	3.0A	2.5A	65mm	0.3kg
14003.0-00	45W	3.5A	2.5A	65mm	0.3kg
14005.0-00	60W	2.5A	2.5A	140mm	0.4kg
14006.0-00	75W	4.0A	4A	140mm	0.5kg
14007.0-00	100W	4.5A	4A	140mm	0.5kg
14008.0-00	150W	9.0A	6.3A	220mm	0.7kg

*at 20°C (68°F) ambient temperature

Specifications are subject to change without notice. Errors and omissions excepted. Suitability of this product for its intended use and any associated risks must be determined by the end customer/ buyer in its final application. 02.05.2011

Heating