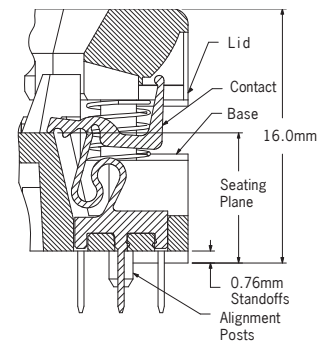
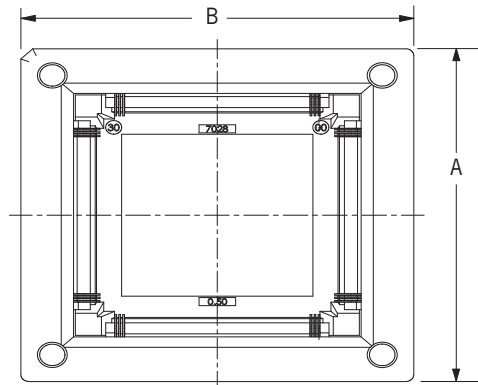
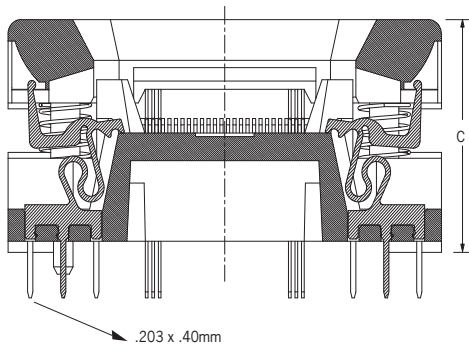
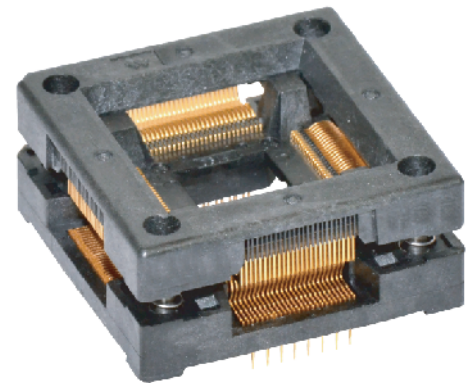




3000 SERIES QFP & TQFP

- Open Top
- Reduced actuation force contact design
- Zero insertion force for auto load
- For 0.4mm pitch and higher, corner post alignment feature accommodates JEDEC package dimensions
- Modular tooling provides maximum flexibility to meet most lead form and pin count combinations
- Thru hole design



DESCRIPTION & ORDERING INFORMATION

3 X XX - XXX - X - X X

Series Package Size Lead Count

Lead Form:
 0 = 2.0mm MS-026
 2 = 2.6mm MS-029
 3 = 3.2mm MS-022
 5 = 3.9mm MQ-112

Contact Material:
 6 = BeCu with Select Gold and Gold Flash on balance of part

7 = Riveted Lid
 8 = Lid with Nails
 E = Thermal Button

0 = Standard, Without Rails
 1-6 = Rail Positions*
 7-9 = Custom Configuration

MATERIALS & SPECIFICATIONS

- Socket Body: PPS, PEI or Equivalent
- Contact: Beryllium Copper Alloy (Spinodal optional)
- Contact Plating: Gold over Nickel
- Contact Normal Force: 25 grams
- Contact Resistance: <65 mΩ
- Dielectric: 1000V AC RMS for 1 minute
- Temperature Rating: 150°C
- Current Rating: 1.0 Amp
- Durability: 10,000 cycles min.



3000 SERIES QFP & TQFP

Package Size	Lead Count	Pitch e (mm)	Dim A X B (mm)	Reduced Actuation Force QFP Sockets			RF TQFP Socket	Notes
				MO-112 3.9 ld form	MO-108/MS-022 3.2 ld form	MO-143 2.6 ld form	MO-136/MS-026 2/0 ld form	
7 X 7	32	0.8	28.3 X 28.3				3007-032-X-07	
	48	0.5	28.3 X 28.4				3007-048-X-07	
10 X 10	44	0.8	29.3 X 29.3				3010-044-X-08	
	44	0.8	31.3 X 31.3	3510-044-X-08	3310-044-X-08			
	52	0.65	29.3 X 29.3				3010-052-X-08	
	52	0.65	31.3 X 31.3	3510-052-X-08	3310-052-X-08			
	64	0.5	29.3 X 29.3				3010-064-X-08	
12 X 12	80	0.5	35.3 X 35.3				3012-080-X-08	
14 X 14	64	0.8	33.3 X 33.3				3014-064-X-08	
	64	0.8	35.3 X 35.3		3314-064-X-08			
	80	0.65	33.3 X 33.3				3014-080-X-08	
	80	0.65	35.3 X 35.3		3314-080-X-08			
	100	0.5	33.3 X 33.3				3014-100-X-08	
	120	0.4	33.3 X 33.3				3014-120-X-X8*	
	128	0.4	33.3 X 33.3				3014-128-X-X8*	
14 X 20	100	0.65	32.0 X 38.0				3042-100-X-08	Consult Factory
	100	0.65	35.3 X 41.3	3542-100-X-07	3342-100-X-07			
	128	0.5	32.0 X 38.0			3242-128-X-07**	3042-128-X-08	**Consult Factory
	128	0.5	35.3 X 41.3		3342-128-X-07			
20 X 20	112	0.65	39.3 X 39.3				3020-112-X-08	
	128	0.5	39.3 X 39.3				3020-128-X-X8	Consult Factory
	144	0.5	39.3 X 39.3				3020-144-X-08	
24 X 24	160	0.5	43.3 X 43.3				3024-160-X-X8*	
	176	0.5	43.3 X 43.3				3024-176-X-X8*	
28 X 28	144	0.65	49.3 X 49.3		3328-144-X-08			
	160	0.65	49.3 X 49.3	3528-160-X-08	3328-160-X-08			
	208	0.5	49.3 X 49.3			3228-208-X-08	3028-208-X-08	

*Requires device fit up at factory