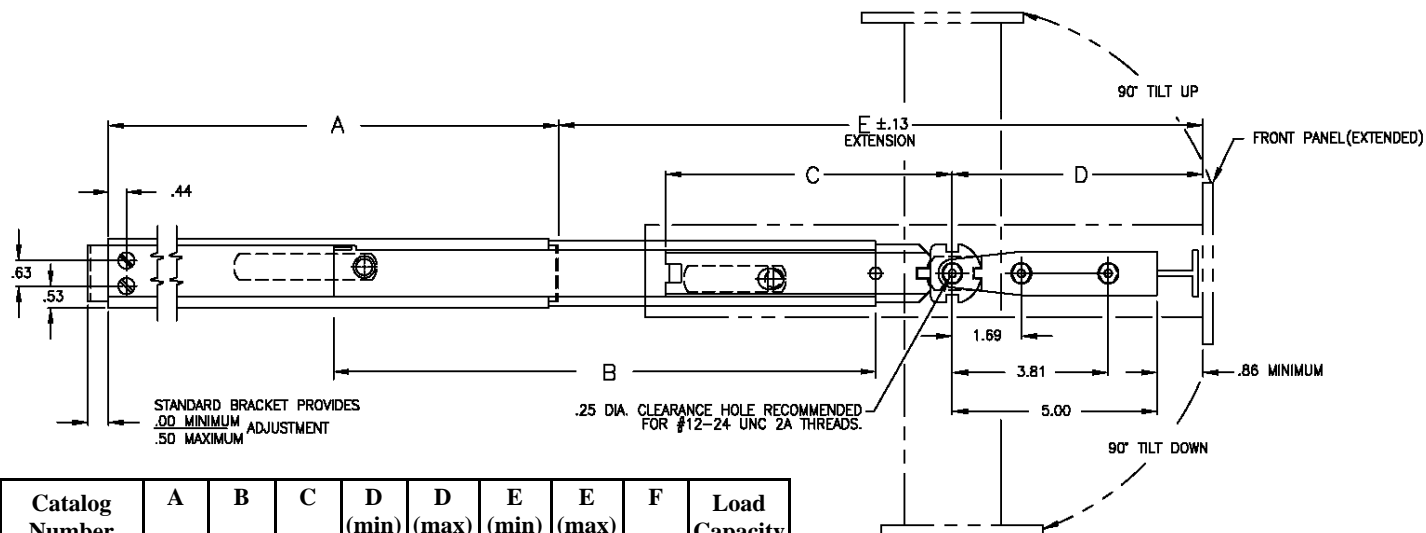
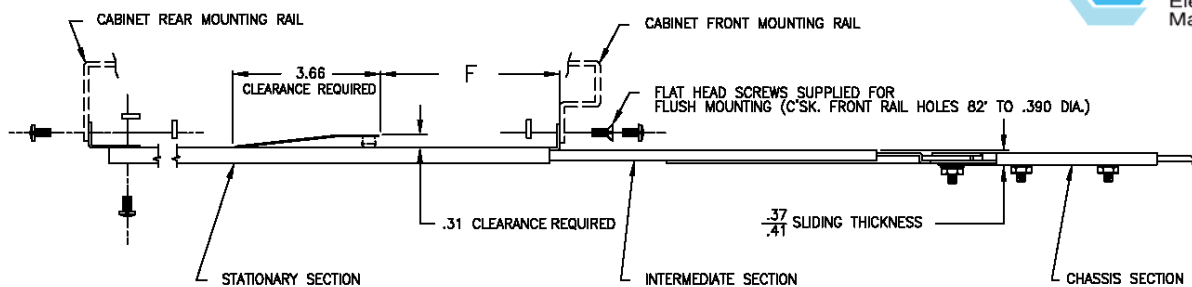


C-300-D Pivot Slide



Catalog Number	A	B	C	D (min)	D (max)	E (min)	E (max)	F	Load Capacity
C-300-D-112	12.00	9.25	5.00	5.86	5.86	13.61	13.61	2.31	95 LBS.
C-300-D-114	14.00	13.25	7.00	5.86	5.86	15.61	15.61	4.31	90 LBS.
C-300-D-116	16.00	13.25	7.00	5.86	7.80	15.61	17.55	4.31	90 LBS.
C-300-D-118	18.00	13.25	7.00	5.86	9.80	15.61	19.55	4.31	90 LBS.
C-300-D-120	20.00	19.25	13.00	5.86	5.86	21.61	21.61	7.31	85 LBS.
C-300-D-122	22.00	19.25	13.00	5.86	7.80	21.61	23.55	7.31	85 LBS.
C-300-D-124	24.00	19.25	13.00	5.86	9.80	21.61	25.55	7.31	85 LBS.
C-300-D-126	26.00	25.25	19.00	5.86	5.86	27.61	27.61	10.31	80 LBS.
C-300-D-128	28.00	25.25	19.00	5.86	7.80	27.61	29.55	10.31	80 LBS.
C-300-D-130	30.00	25.25	19.00	5.86	9.80	27.61	31.55	10.31	80 LBS.

TO ORDER, SPECIFY

C-300-D - [] - [] - []

Stationary Section
 1 - Cabinet Mount
 2 - Strap Mount
 4 - Closed Slot

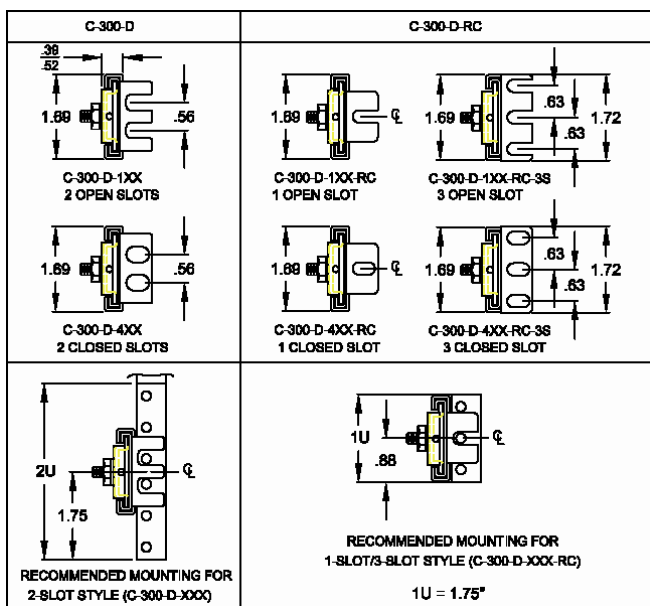
Length

AR - Automatic Release if desired

For information on Strap Mount option see page 27.

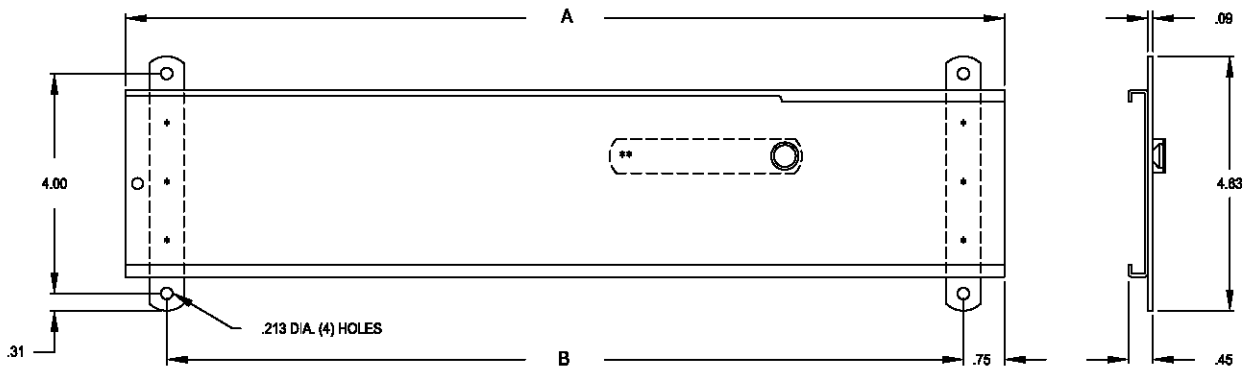
Notes

1. Finish: All standard slides are coated with Poxylube™ dry film lubricant.
2. All standard slides are designed to lock-out in the extended position and are available with an optional automatic release if lock-out is not desirable.
3. Standard hardware packages include all the hardware necessary to mount your Chassis Trak® slides:
 - Rear mounting bracket (B-217 or B-161) included
 - Bar Nuts (CA8056-06-0017 or CA8056-06-0014)
 - #10-32 screws and keps nuts
4. All sliding members of the standard slide are made from cold rolled steel.
5. All Chassis Trak® solid bearing slides are supplied with a quick disconnect feature.
6. Optional mounting patterns, slide lengths and extensions are available.
7. See safety recommendations for detent slides on page 9.
8. For optional mounting brackets see page 34.



Strap Mounting Option

C-230 Strap Mount

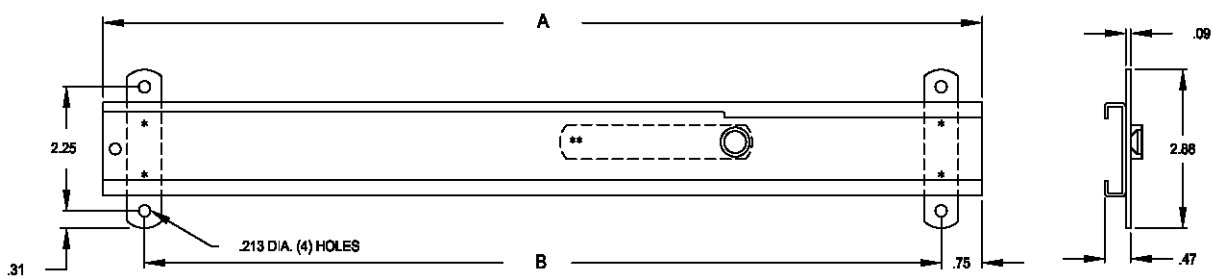


A	B
12.00	10.50
14.00	12.50
16.00	14.50
18.00	16.50
20.00	18.50
22.00	20.50
24.00	22.50

Notes

- To order, specify **C-230-S-2-XX** see pages 14-15 for more information.
- Strap mount slides are not designed to accommodate the standard EIA hole pattern.
- All slides requires a .31" clearance behind the spring and button assembly for proper operation.

C-300 Strap Mount



A	B
10.00	8.50
12.00	10.50
14.00	12.50
16.00	14.50
18.00	16.50
20.00	18.50
22.00	20.50
24.00	22.50
26.00	24.50
28.00	26.50
30.00	28.50

Notes

- To order, specify **C-300-S-2-XX** see pages 16-17 for more information.
- Strap mount slides are not designed to accommodate the standard EIA hole pattern.
- All slides requires a .31" clearance behind the spring and button assembly for proper operation.

CTS Strap Mount



A	B
12.00	10.50
14.00	12.50
16.00	14.50
18.00	16.50
20.00	18.50
22.00	20.50
24.00	22.50

Notes

- To order, specify **CTS-2-XX** see pages 18-19 for more information.
- Strap mount slides are not designed to accommodate the standard EIA hole pattern.
- All slides requires a .31" clearance behind the spring and button assembly for proper operation.

Optional Mounting Brackets



Matrix For Solid Bearing Slides & Appropriate Rear Mounting Brackets with Range of Extension

	B-217*	B-217-1.5	B-217-2	B-217-2.5	B-217-3	B-217-3.5	B-217-4	B-308	B-793
C-300-D	0 to .50	.25 to .75	.75 to 1.25	1.25 to 1.75	1.75 to 2.25	2.25 to 2.75	2.75 to 3.25	0 to 6.00	0 to 6.00
C-300-S	0 to .50	.25 to .75	.75 to 1.25	1.25 to 1.75	1.75 to 2.25	2.25 to 2.75	2.75 to 3.25	0 to 6.00	0 to 6.00
C-874	0 to .50	.25 to .75	.75 to 1.25	1.25 to 1.75	1.75 to 2.25	2.25 to 2.75	2.75 to 3.25		
C-3700	0 to .50	.25 to .75	.75 to 1.25	1.25 to 1.75	1.75 to 2.25	2.25 to 2.75	2.75 to 3.25		

	B-161*	B-161-1.5	B-161-2	B-161-2.5	B-161-3	B-161-3.5	B-161-4	B-309	B-389
C-300-D-RC	0 to .50	.25 to .75	.75 to 1.25	1.25 to 1.75	1.75 to 2.25	2.25 to 2.75	2.75 to 3.25	0 to 6.00	
C-300-S-RC	0 to .50	.25 to .75	.75 to 1.25	1.25 to 1.75	1.75 to 2.25	2.25 to 2.75	2.75 to 3.25	0 to 6.00	
C-300-S-RC-3S									0 to 6.00
C-874-RC	0 to .50	.25 to .75	.75 to 1.25	1.25 to 1.75	1.75 to 2.25	2.25 to 2.75	2.75 to 3.25	0 to 6.00	
C-3700-RC	0 to .50	.25 to .75	.75 to 1.25	1.25 to 1.75	1.75 to 2.25	2.25 to 2.75	2.75 to 3.25	0 to 6.00	

Note brackets are made from 16 gauge C.R.S. — Standard finish: clear zinc commercial plating

*Supplied with standard slides

