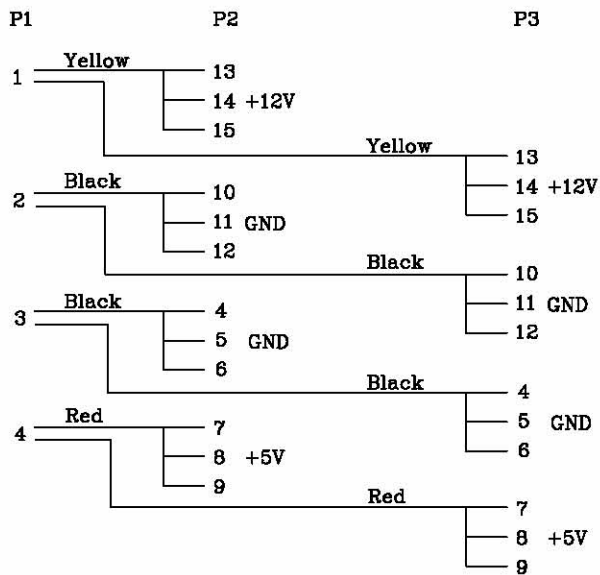


WIRE CONNECTION:



- 100% OPEN / SHORT / INSULATING TEST
- INSULATION TEST: 2MΩ

COMPONENTS	DESCRIPTION	Q'TY
1	15Pin Power Insulator :PBT UL94V-0 ,Black , Contact :Phosphor Bronze	2
2	Power Plug 4P Male	1
3	CABLE 1007 20AWG (Color: BLACK X4 ,YELLOW X2 , RED X2) L : 140mm	8
4	HOOD PVC Molded Color: Black	2

2		
1		
NO.	DATE	MODIFICATION
Rotronic Co., Ltd. P/N: 11.03.1050		APPROVED BY: _____ DATE: _____ CHECKED BY: _____ DATE: _____
CUSTOMER P/N: _____		SALES: _____ DATE: _____
DESCRIPTION: Serial ATA Receptacle 15Pin To Power Cable L : 16CM		NAME: _____ SCALE: X:1 UNIT: mm VERSION: A
DRAWN BY: 陳政豐 2003.07.09		DRAWING NO: 9029-0005-0016-02