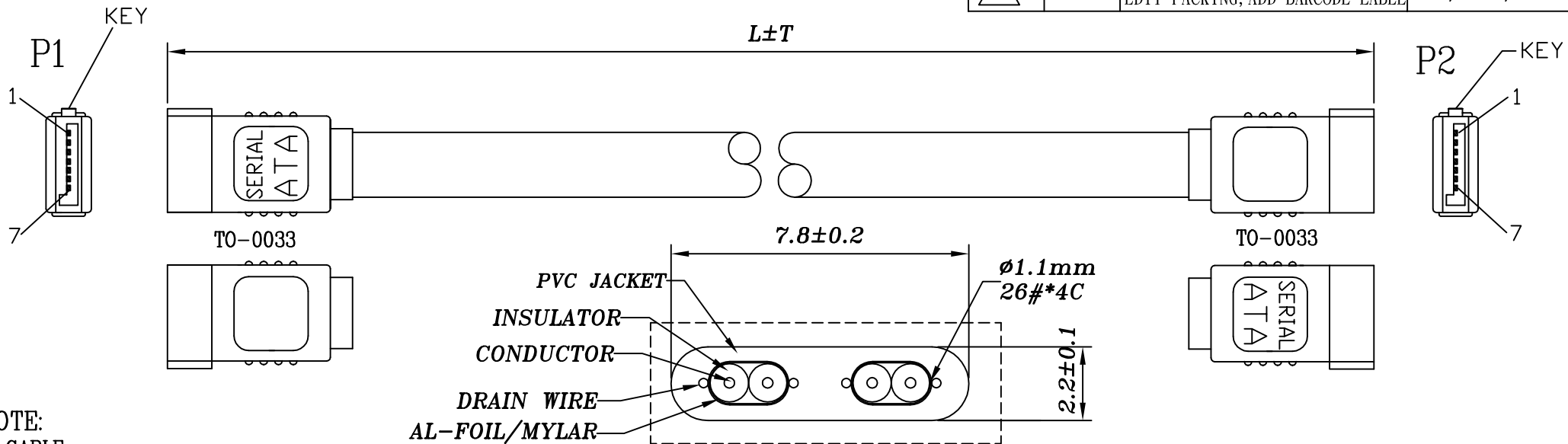


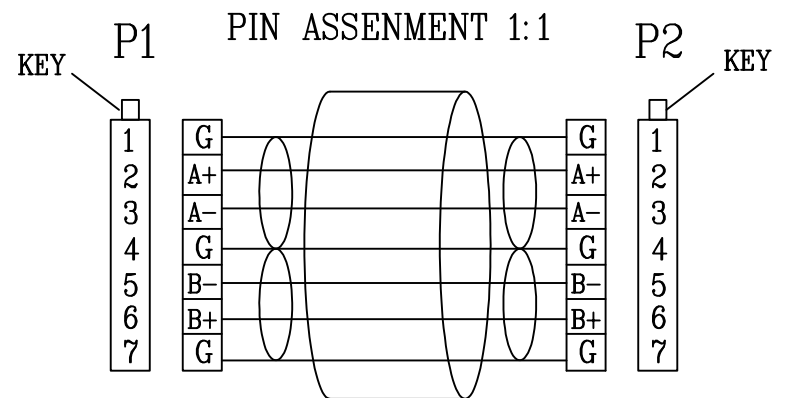
ROHS-CPMPLIANT

LTR	REV.	DESCRIPTION	DATE
△1*2	B	ECR # 081203-5 EDIT PACKING, ADD BARCODE LABEL	12/03/08'



NOTE:

- CABLE:**
UL2725 80°C 30V [26AWG(1/0.404)*2F +AL/MY+DRAIN WIRE(1/0.32)*2]TIN
INS: FOAM-PE OD: $\phi 1.1 \pm 0.05$ mm
PVC JACKET OD: $\phi(2.2 \pm 0.1) * (7.8 \pm 0.2)$ mm COLOR: RED (PANTONE 200C)
IMPEDANCE: 100 ± 5 OHM
- CONNECTOR:**
2-1 MATERIAL:
HOUSING: HIGH TEMPERATURE POLYESTER & GLASS FIBER UL 94V-0
TERMINAL: COPPER ALLOY, CRIMP TYPE
2-1 PLATING:
CONTACT AREA: G/F
- HOOD:** MOLDED TYPE, PVC 45P, COLOR: BLACK(NK-K01)
- CABLE ASS'Y ELECTRICAL TEST:**
4-1 100% OPEN SHORT & MIS WIRE TEST
4-2 CONTACT RESISTANCE 3 OHM MAX
4-3 INSULATION RESISTANCE 10M OHM MIN
4-4 HI-POT DC300V/0.01SEC.
- PACKING:** EACH PC / POLYBAG + HEADER CARD + BAR CODE LABEL
△1 100 PCS / INNER CARTON, 2 INNER CARTON / MASTER CARTON



Tolerance Inch M/M		
.X	.015	.30
.XX	.010	.10
.XXX	.005	.05

Rotronic Co., Ltd.

Draw	Title		
FANNIE 12/03/08'	SERIAL ATA SIGNAL CABLE		
Check	Customer P/N		Customer T-RAG
Engr	Scale	Units	Third Angle Projection
	Dwg No. 140-1483	REV: B	Sheet 1/1

140-1483-2	11.03.1560	1000	20	360*310*150	380*330*340	7611990148790
140-1483-1	11.03.1555	500	20	360*310*100	380*330*240	
DWG	P/N	L (mm)	T (mm)	INNER CTN(mm)	MASTER CTN(mm)	BAR CODE NO.