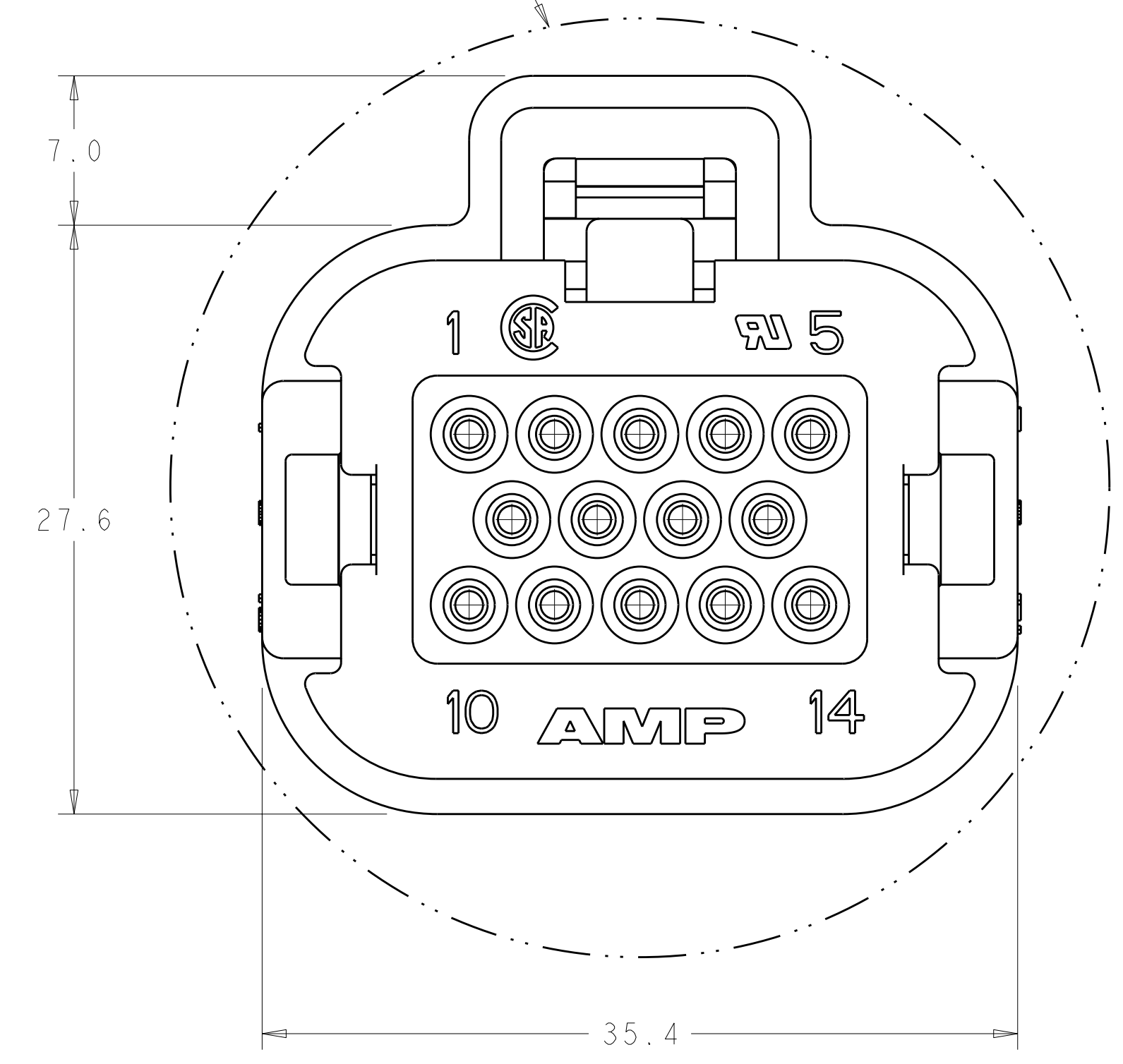
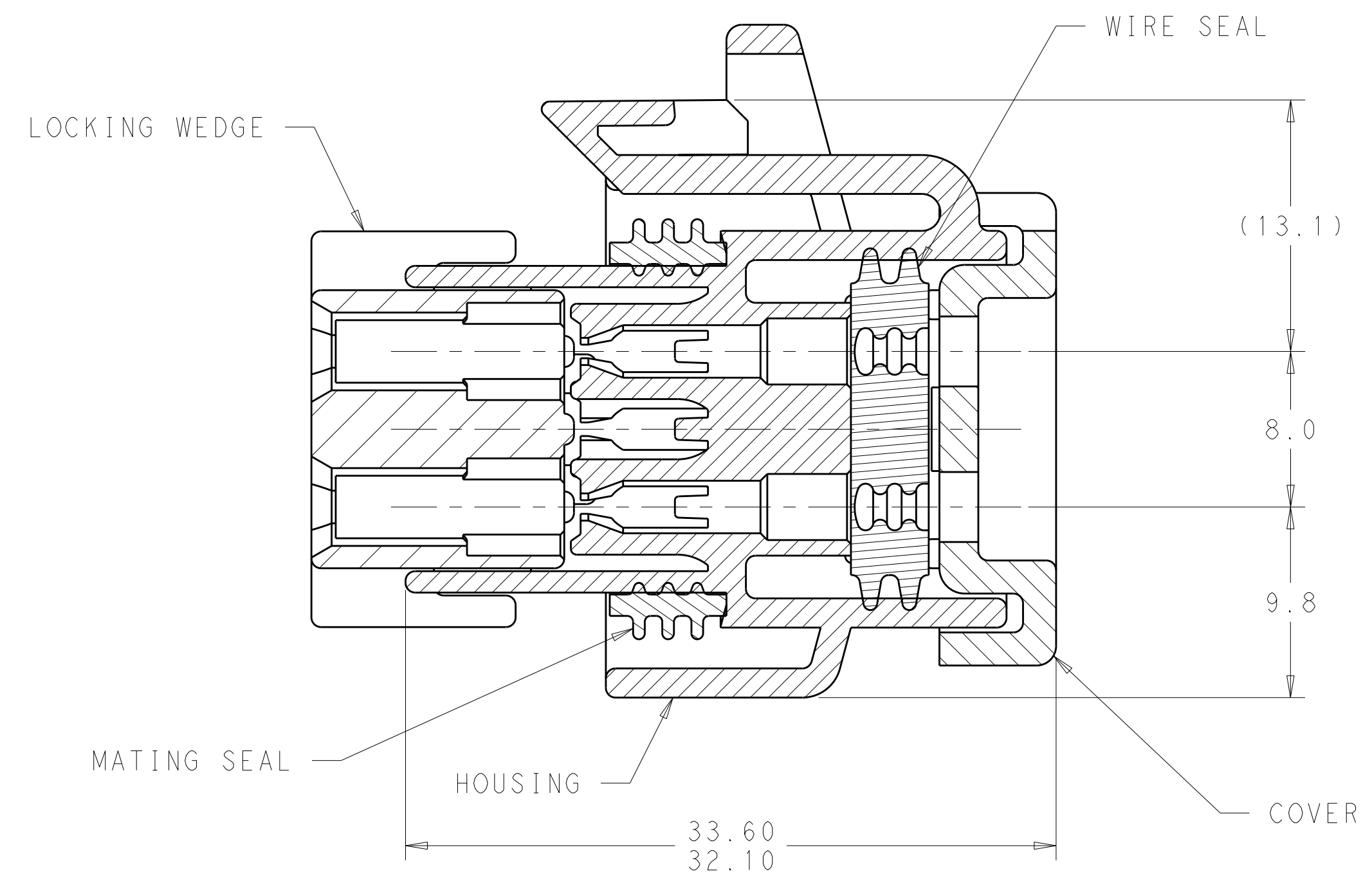
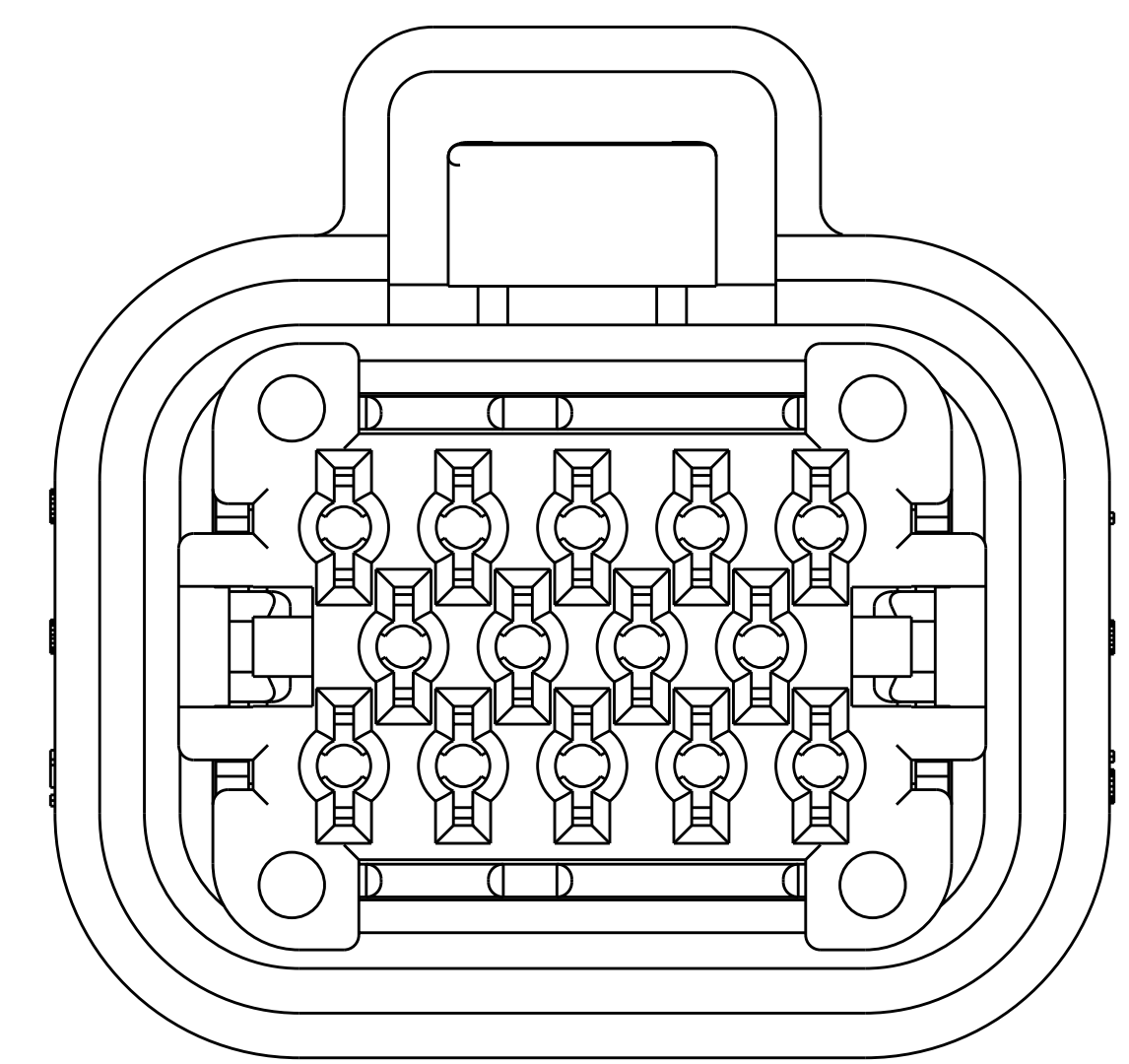


LOC	DIST	REVISIONS			
REV	DATE	DESCRIPTION	DATE	BY	APPV
F1	11MAR2011	REVISED PER ECO-11-005030		RK	HMR
G	24APR2012	REVISED PER ECO-12-007864		DLD	DCS

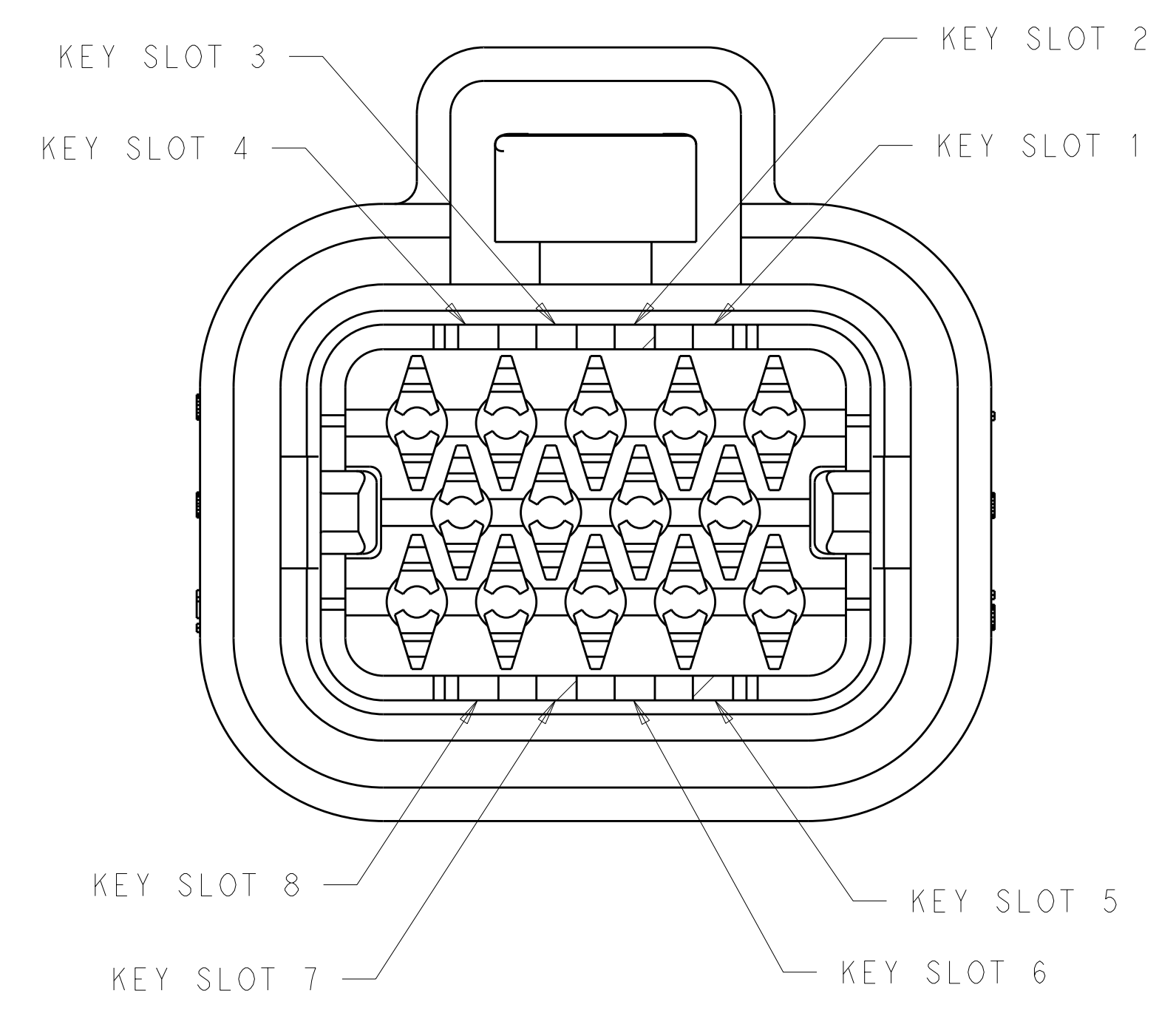
ASSEMBLY WILL PASS THRU Ø44 OPENING



⚠ HOUSING COLORS ARE MECHANICALLY KEYS TO MATE WITH IDENTICALLY COLORED HEADER ASSEMBLIES.



BOTTOM VIEW WITH LOCKING WEDGE



KEY SLOT LOCATIONS

KEY SLOT LOCATION (SEE VIEW ABOVE)	PART NUMBER
3 & 5	776273-5
2 & 8	776273-4
1 & 6	776273-2
3 & 7	776273-1

GLASS FILLED PBT, BLACK	SILICONE RUBBER, GREEN	SILICONE RUBBER, GREEN	PBT, RED	PBT, BLUE	776273-5
				PBT, GRAY	776273-4
				PBT, NATURAL	776273-2
				PBT, BLACK	776273-1
COVER	WIRE SEAL	MATING SEAL	LOCKING WEDGE	⚠ HOUSING	PART NUMBER

THIS DRAWING IS A CONTROLLED DOCUMENT.

DIMENSIONS: mm
 TOLERANCES UNLESS OTHERWISE SPECIFIED:
 9 PLC ±
 1 PLC ±0.2
 2 PLC ±
 3 PLC ±
 4 PLC ±
 ANGLES ±
 FINISH ±

MATERIAL: SEE TABLE
 FINISH: SEE TABLE

CUSTOMER DRAWING
 SCALE: 4:1
 SHEET: 1 OF 1
 REV: G

DWN: R. VESTAL 08SEP2009
 CHK: D. STRAUSSER 08SEP2009
 APVD: D. STRAUSSER 08SEP2009
 NAME: STRAUSSER
 PRODUCT SPEC: 108-1329
 APPLICATION SPEC: 114-16016
 WEIGHT: -
 SIZE: A100779
 CAGE CODE: C-776273
 DRAWING NO: 776273

STE TE Connectivity
 PLUG ASSEMBLY, 14 POSITION, AMPSEAL