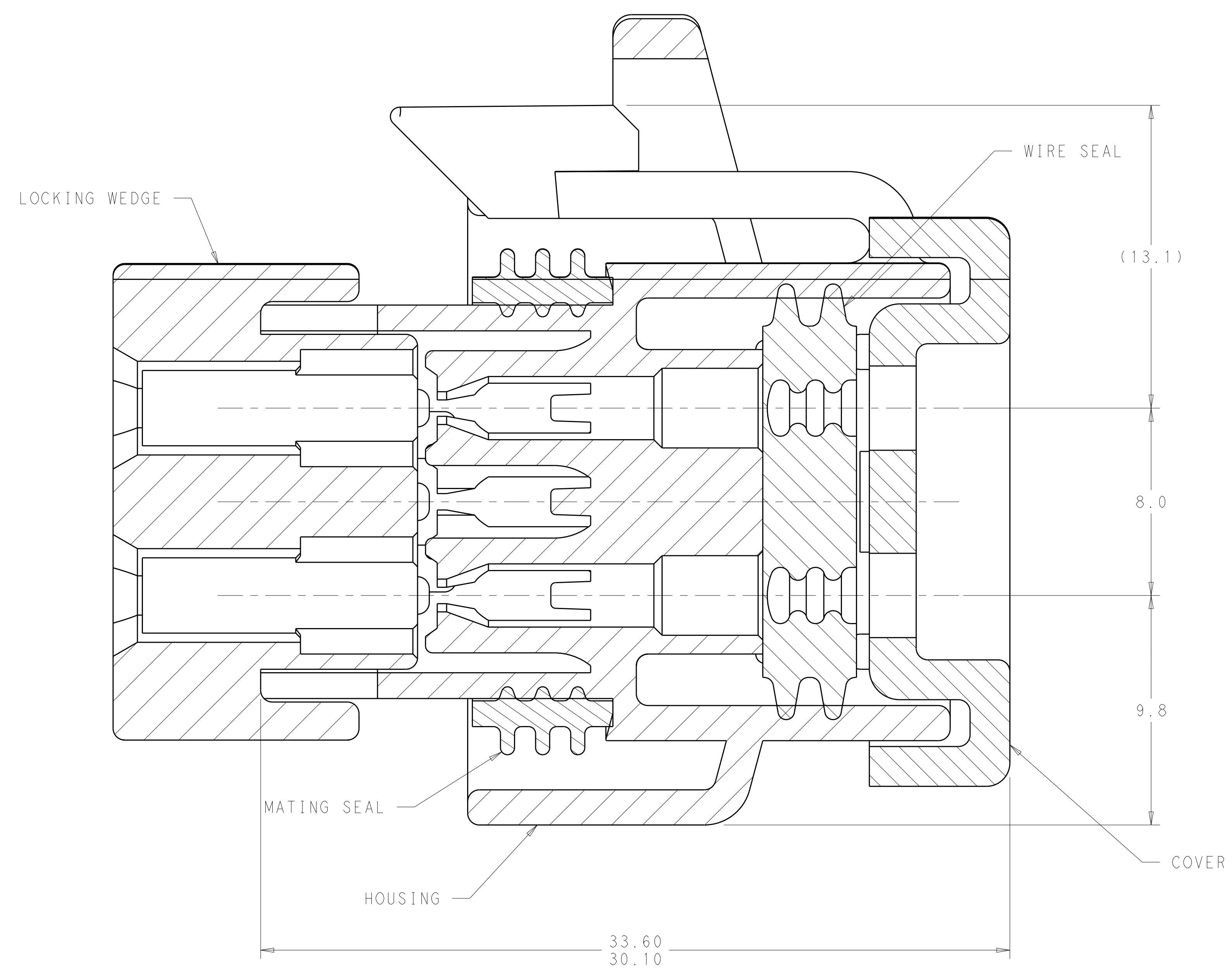
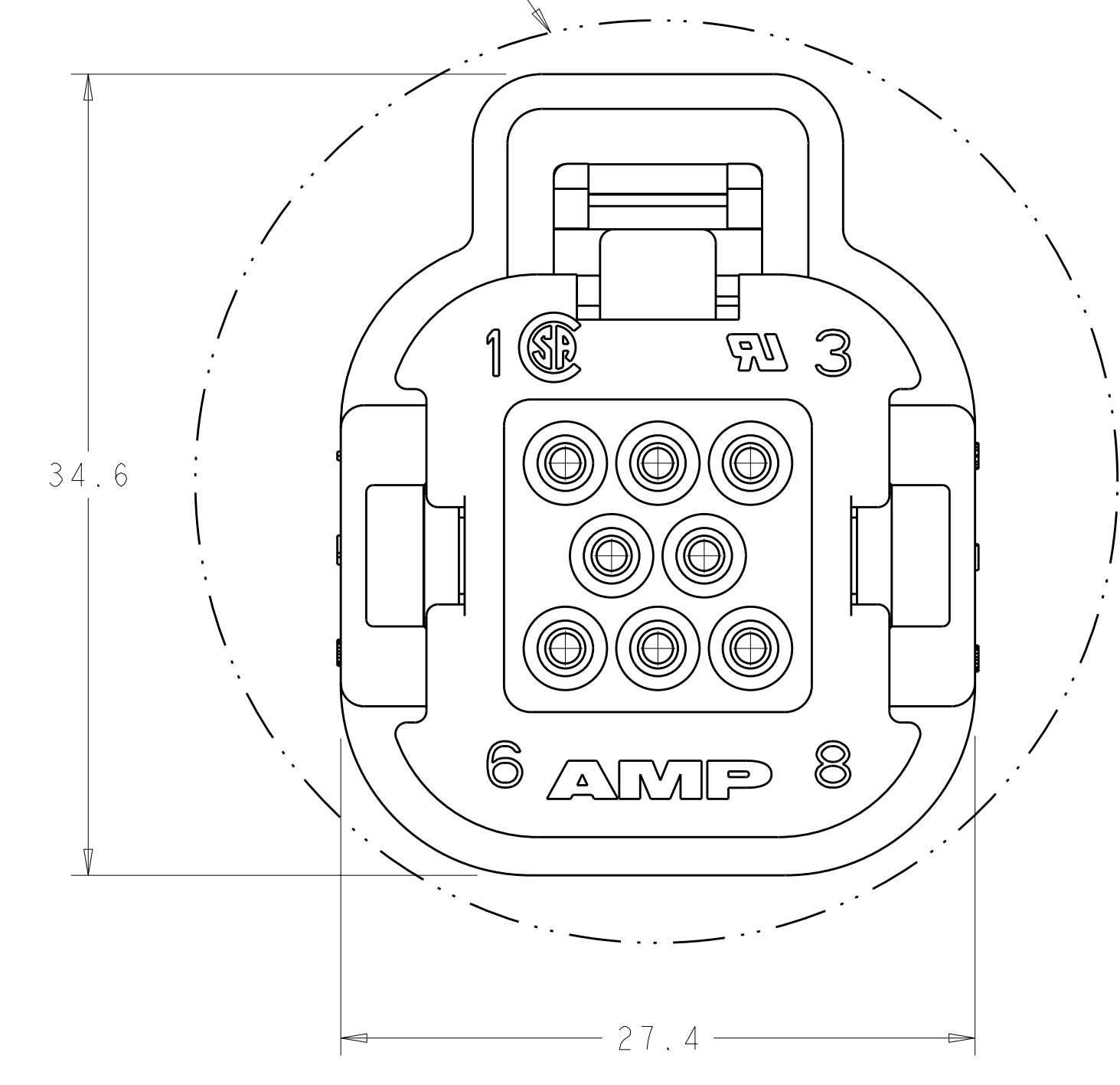


LOC	DIST	REVISIONS			
P	LTB	DESCRIPTION	DATE	DWN	APVD
D2		REVISED PER ECO-11-005264	22MAR2011	DLD	DCS
E		REVISED PER ECO-11-010900	31MAY2011	DLD	DCS
F		REVISED PER ECO-12-007864	24APR2012	DLD	DCS

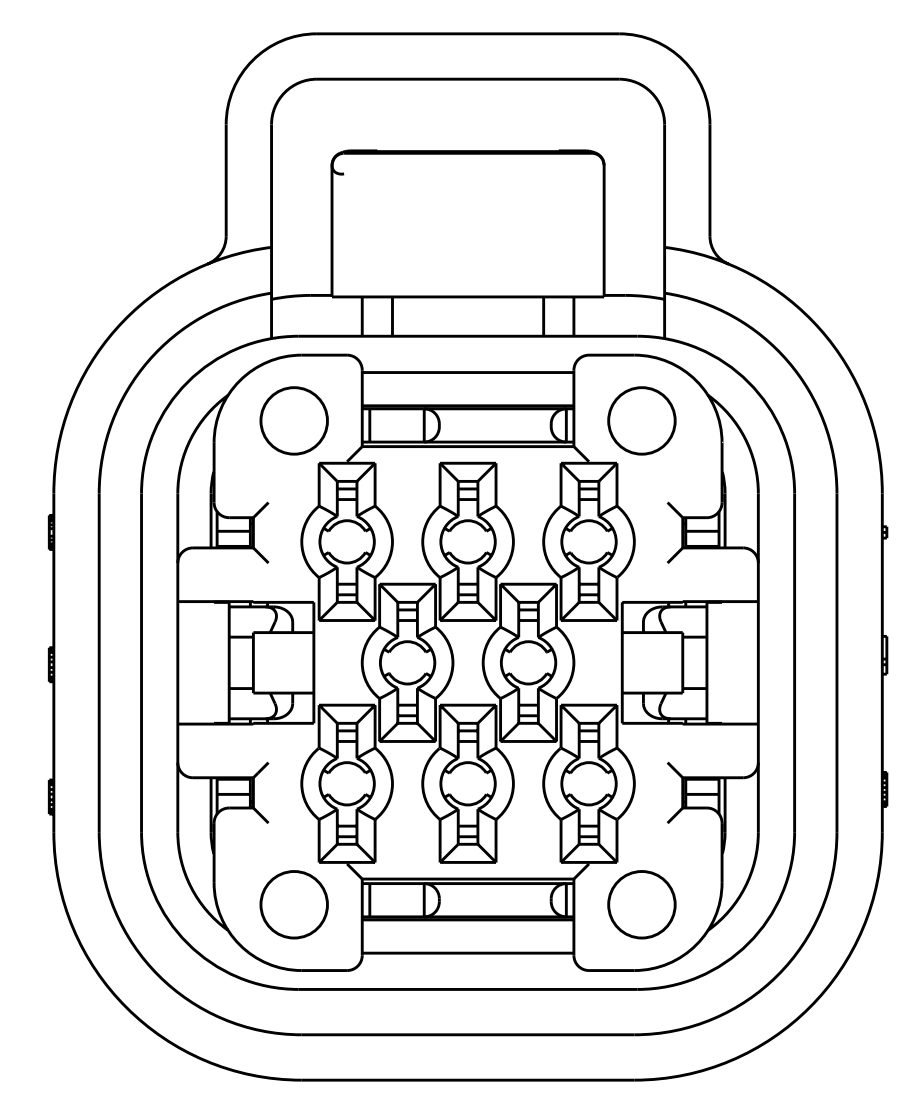


ASSEMBLY WILL PASS THRU Ø66 OPENING

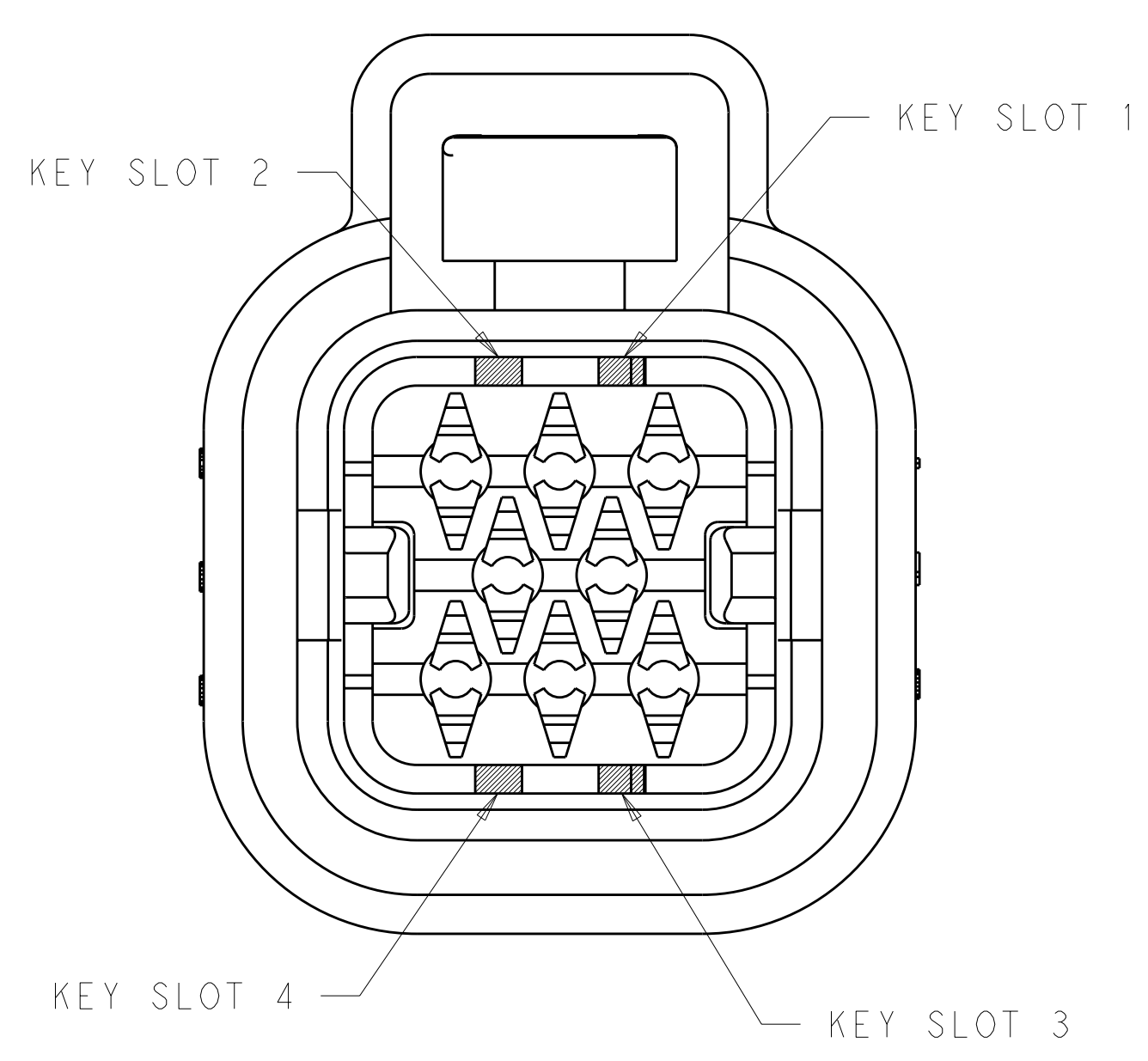
⚠ HOUSING COLORS ARE MECHANICALLY KEYED TO MATE WITH IDENTICALLY COLORED HEADER ASSEMBLIES.



SCALE 4:1



BOTTOM VIEW WITH LOCKING WEDGE
SCALE 4:1



KEY SLOT LOCATIONS
SCALE 4:1

1 & 3	776286-2
2 & 4	776286-1
KEY SLOT LOCATION (SEE VIEW ABOVE)	PART NUMBER

COVER	WIRE SEAL	MATING SEAL	LOCKING WEDGE	HOUSING	PART NUMBER
GLASS FILLED PBT, BLACK	SILICONE RUBBER, YELLOW	SILICONE RUBBER, YELLOW	PBT, RED	PBT, NATURAL	776286-2
				PBT, BLACK	776286-1

THIS DRAWING IS A CONTROLLED DOCUMENT.		DWN R. VESTAL 08SEP2009	TE Connectivity PLUG ASSEMBLY, 8 POSITION, AMPSEAL
DIMENSIONS:	TOLERANCES UNLESS OTHERWISE SPECIFIED:	CHK D. STRAUSSER 08SEP2009	
mm	0 PLC ±0.2	APVD D. STRAUSSER 08SEP2009	
	1 PLC ±0.2	PRODUCT SPEC 108-1329	
	2 PLC ±0.2	APPLICATION SPEC 114-16016	SIZE CAGE CODE DRAWING NO RESTRICTED TO
MATERIAL SEE TABLE	FINISH SEE TABLE	WEIGHT	A100779C-776286
CUSTOMER DRAWING			SCALE 8:1 SHEET 1 OF 1 REV F