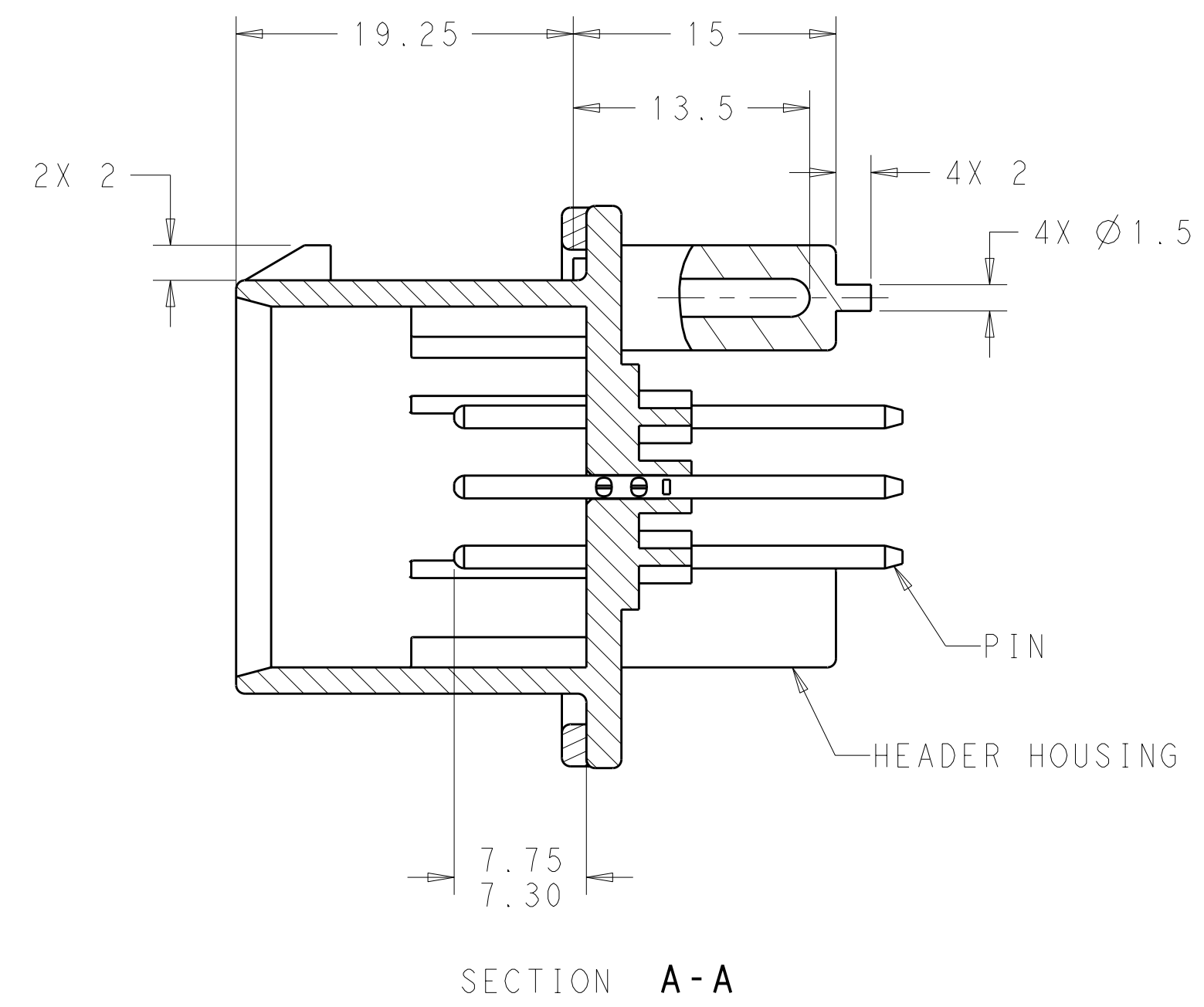
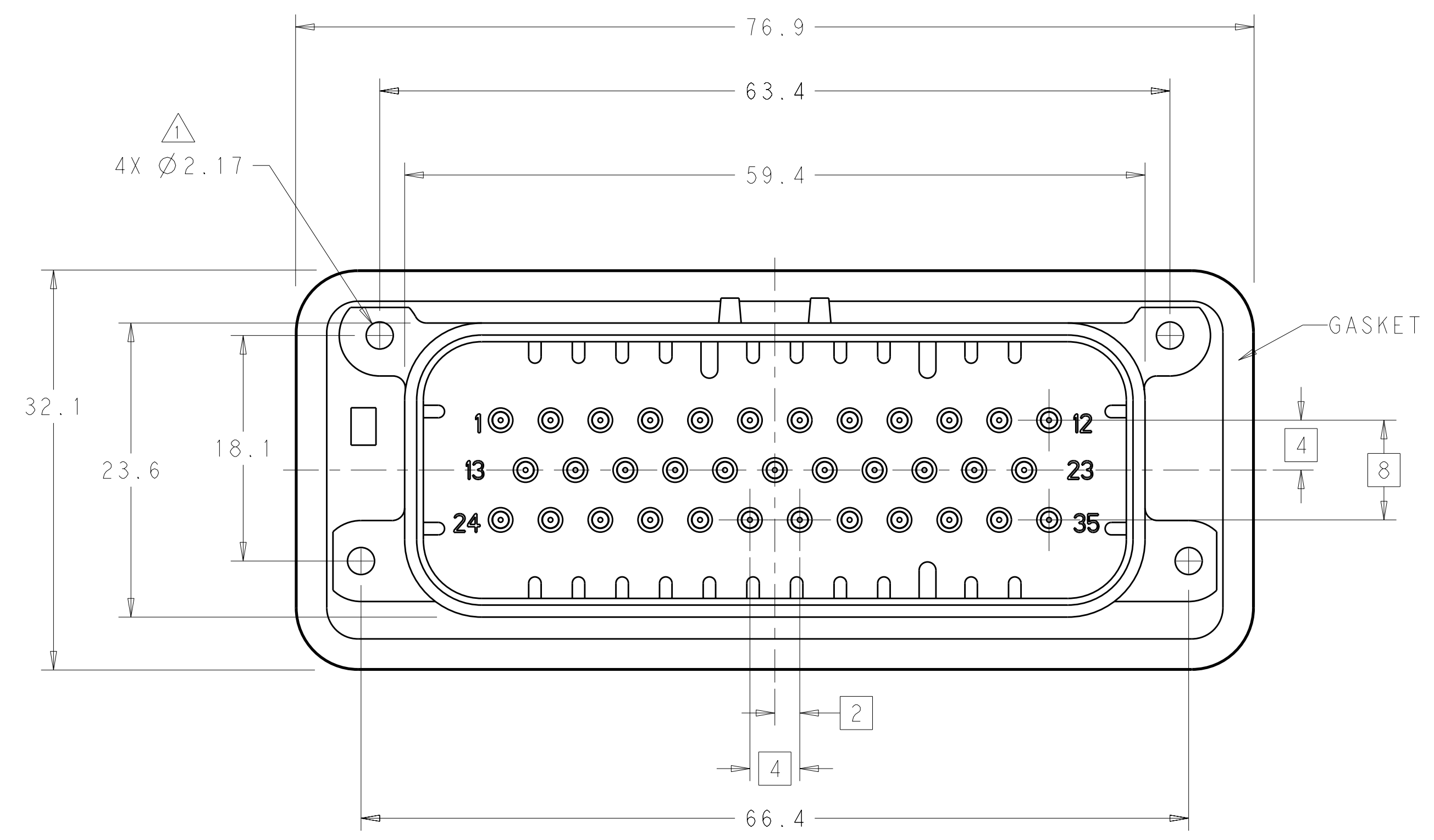
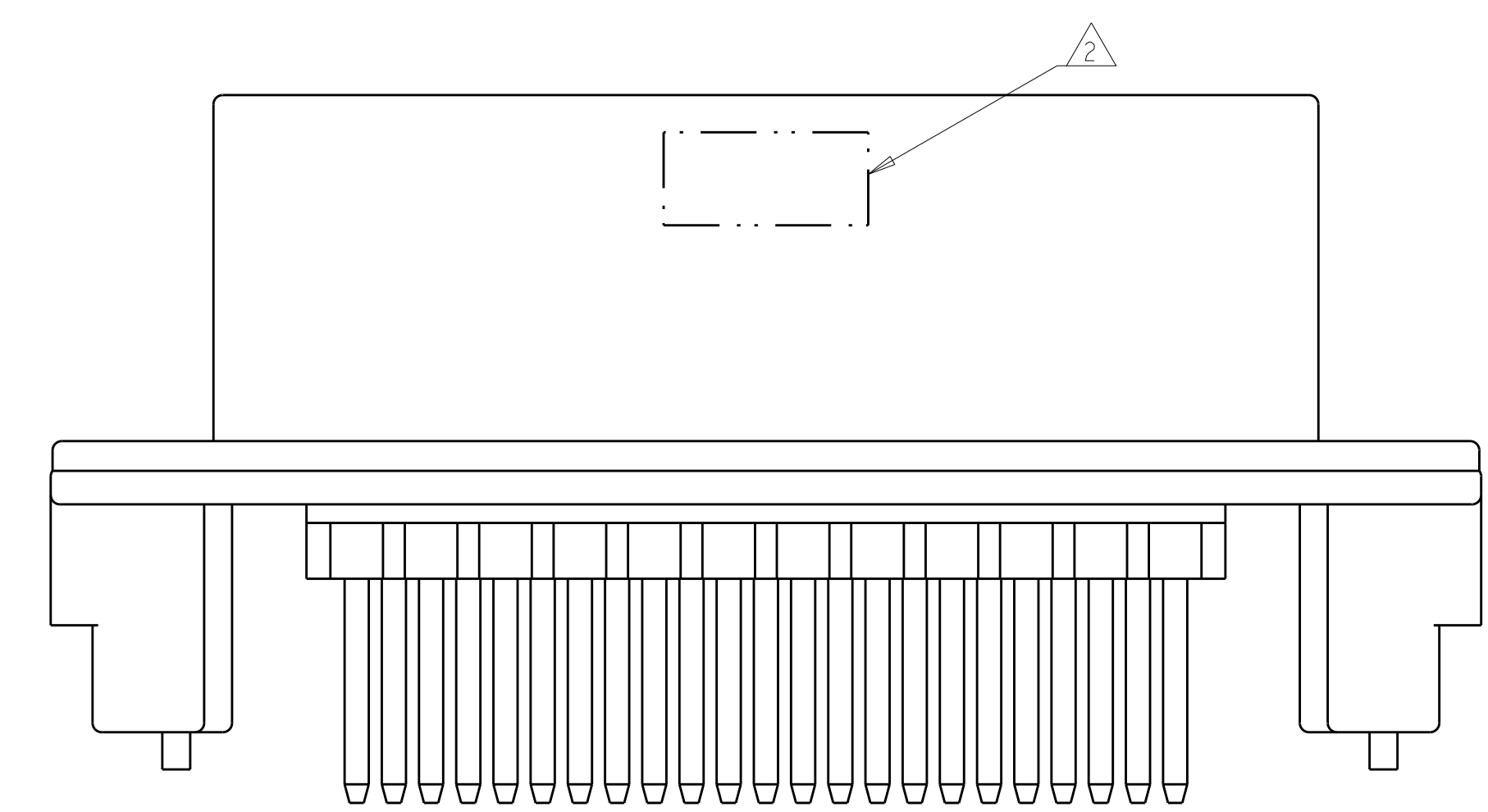


LOC	DIST	REVISIONS			
P	LT#	DESCRIPTION	DATE	DWN	APVD
A4		REVISED PER ECO-11-005030	11MAR2011	RK	HMR
A5		REVISED PER ECO-12-004531	06MAR2012	DD	DS
A6		REVISED PER ECO-12-009257	29MAR2012	DD	DS



- 1 ACCEPTS #4 SELF TAPPING THREAD FORMING SCREWS OR METRIC EQUIVALENT. DRIVE TO 0.6 N-m MAX
- 2 DATE CODE IN THIS LOCATION USING 5 DIGIT CODE FIRST 2 DIGITS = YEAR, SECOND 2 DIGITS = WEEK LAST DIGIT = DAY.
- 3 MATERIALS: HEADER HOUSING - GLASS FILLED PBT
PINS - TIN OR GOLD PLATED BRASS
GASKET - SILICONE
- 4 HOUSING COLORS ARE MECHANICALLY KEYS TO MATE ONLY WITH IDENTICALLY COLORED PLUG ASSEMBLIES.
- 5. HEADER MATES TO PLUG ASSEMBLY 776164 WHICH USES REELED TERMINAL 770520 OR LOOSE PIECE TERMINAL 770854



776231-1 & 1-776231-1 SHOWN

ORANGE	DURAGOLD	1-776231-6
BLUE	DURAGOLD	1-776231-5
GRAY	DURAGOLD	1-776231-4
NATURAL	DURAGOLD	1-776231-2
BLACK	DURAGOLD	1-776231-1
BLUE	TIN	776231-5
GRAY	TIN	776231-4
NATURAL	TIN	776231-2
BLACK	TIN	776231-1
HEADER COLOR	PLATING	PART NUMBER

THIS DRAWING IS A CONTROLLED DOCUMENT.

DWN: D. STRAUSSER 05MAR2010
 CHK: D. STRAUSSER 22MAR2010
 APVD: D. STRAUSSER 27APR2010

PRODUCT SPEC: 108-1329
 APPLICATION SPEC: 114-16016

NAME: ASSEMBLY, HEADER, 35 POSITION, VERTICAL, AMPSEAL WITH FLANGE SEAL

SIZE: A1 CAGE CODE: 100779 DRAWING NO: 776231

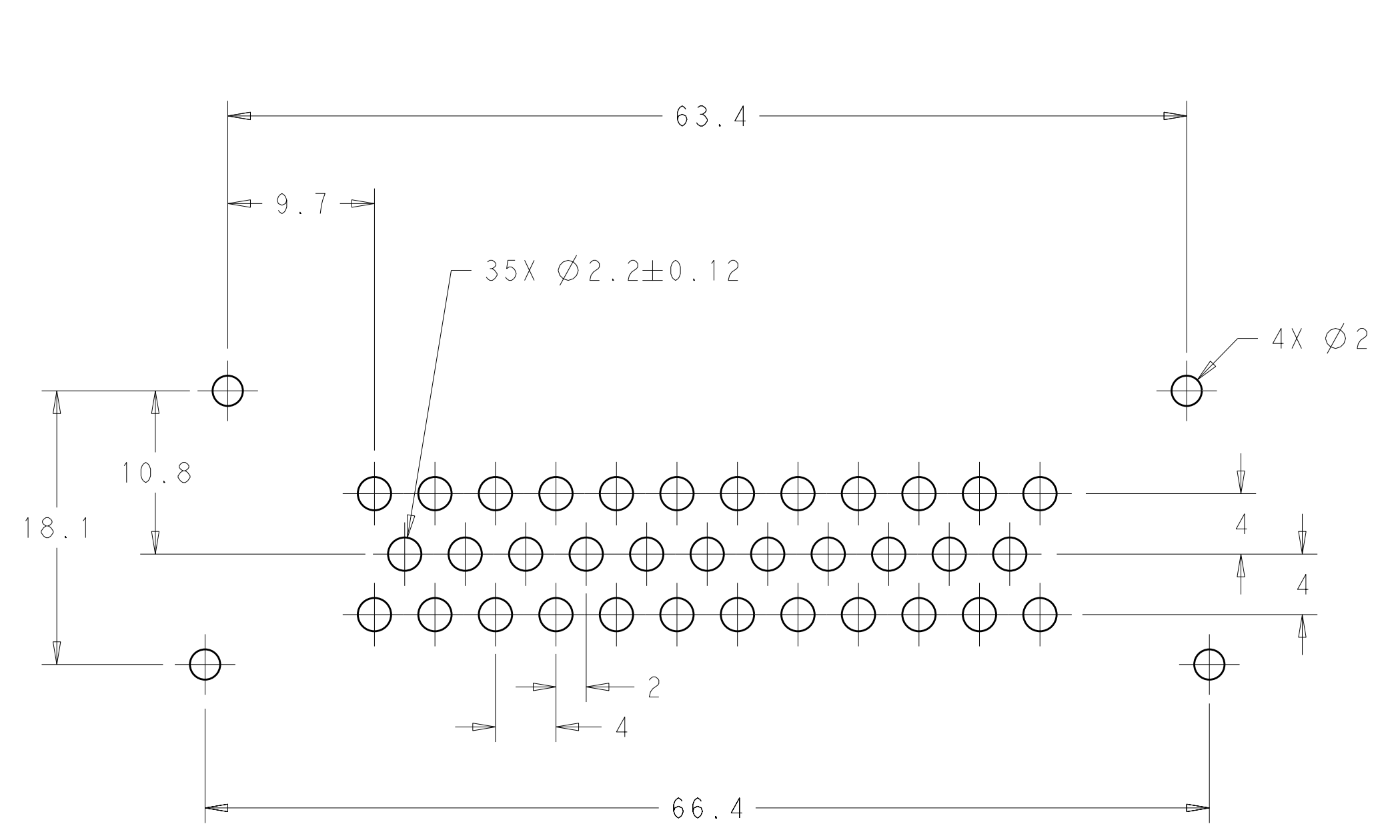
RESTRICTED TO: -

MATERIAL: 3 FINISH: 3

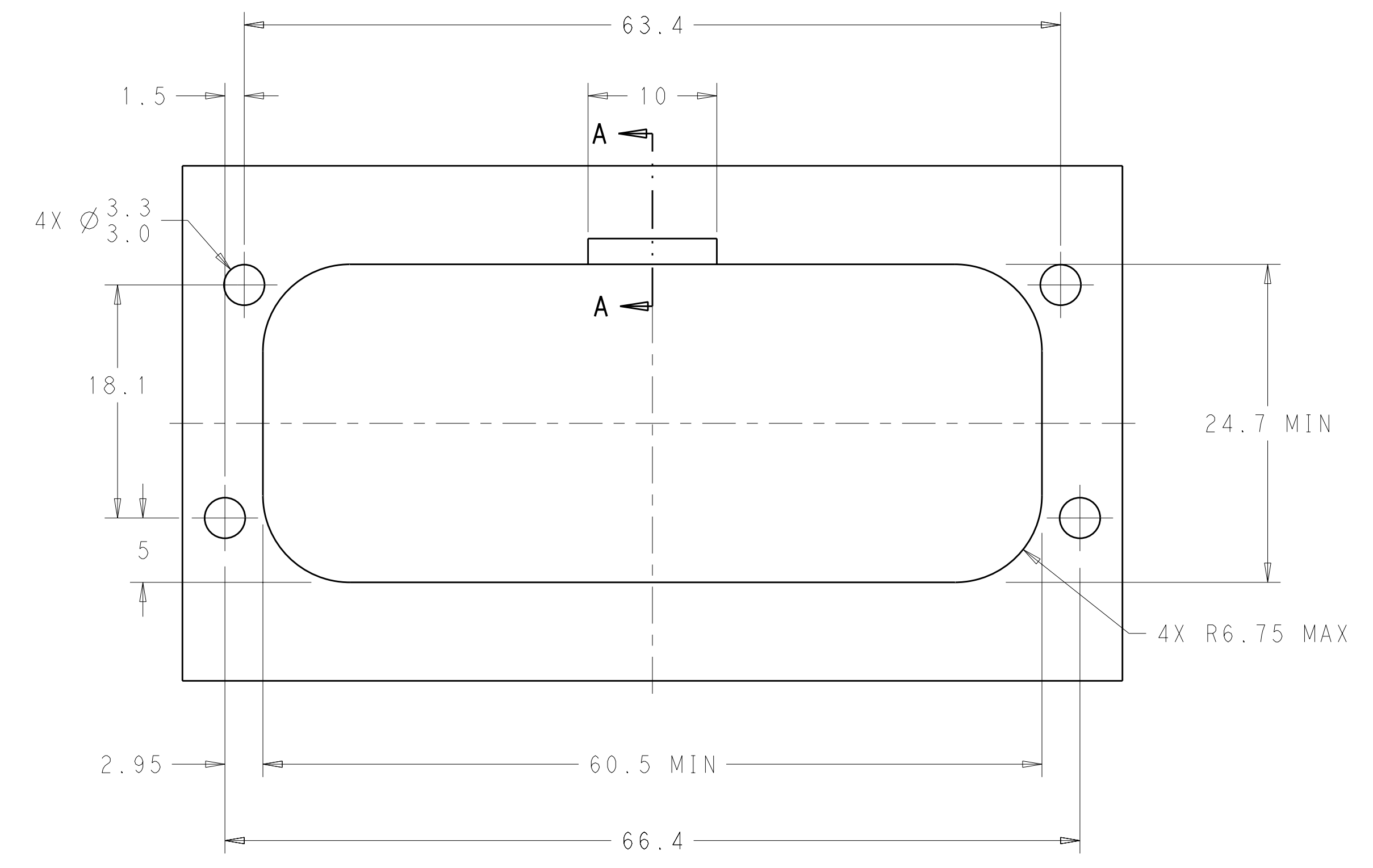
CUSTOMER DRAWING SCALE: 1:1 SHEET: 1 OF 2 REV: A6

LOC	DIST	REV	DATE	BY	APPD
BV	00				

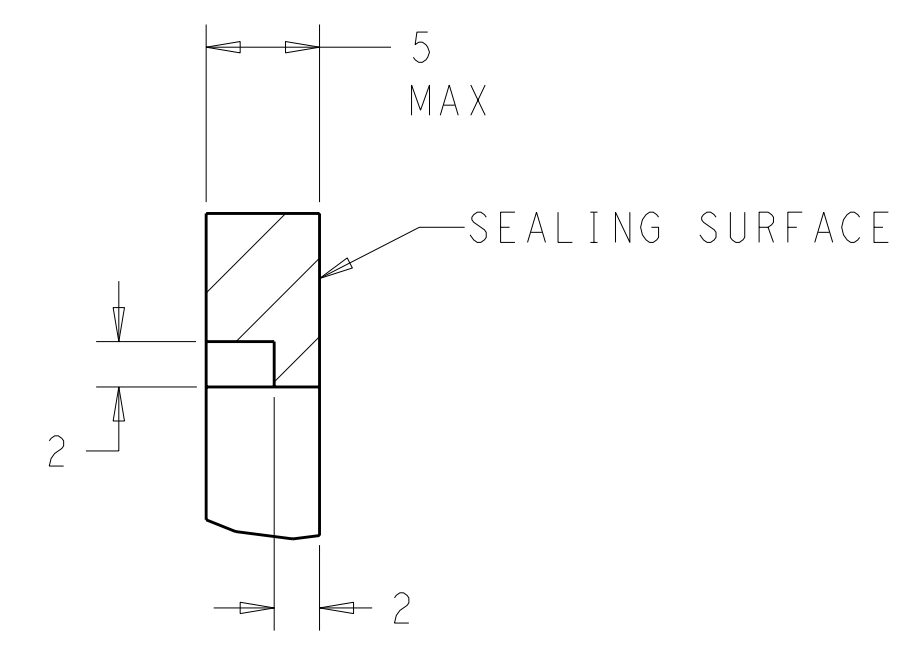
REVISIONS			
NO.	DESCRIPTION	DATE	BY
1	SEE SHEET 1		



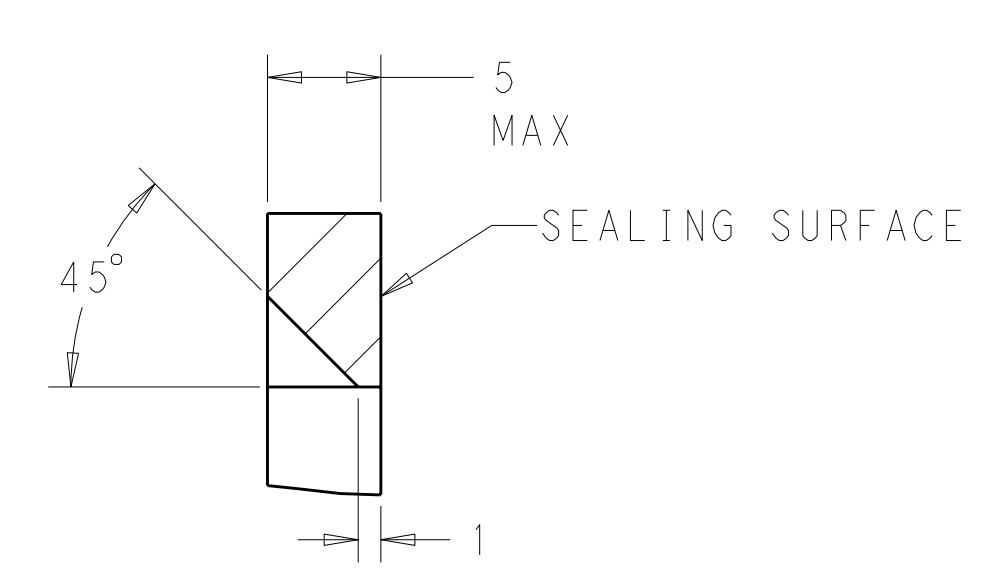
RECOMMENDED P.C. BOARD LAYOUT FOR 1.57 THICK P.C. BOARD



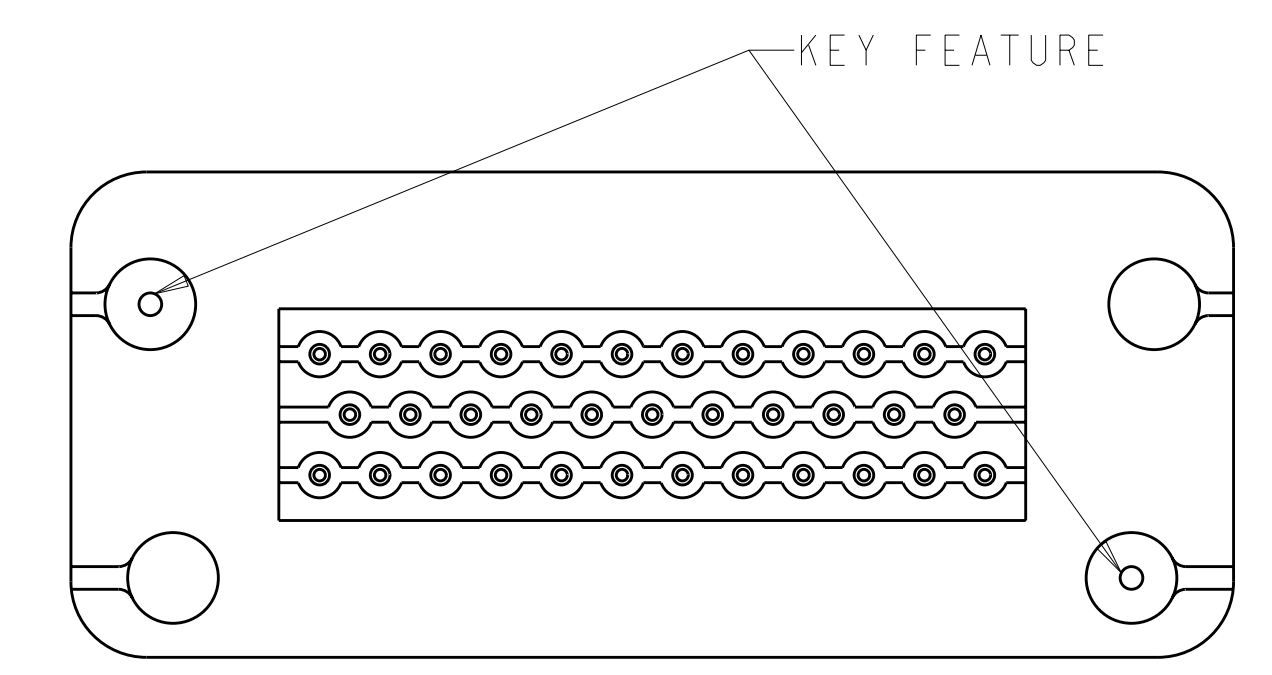
RECOMMENDED MOUNTING HOLE LAYOUT FOR 5.0 MAX THICK PANEL



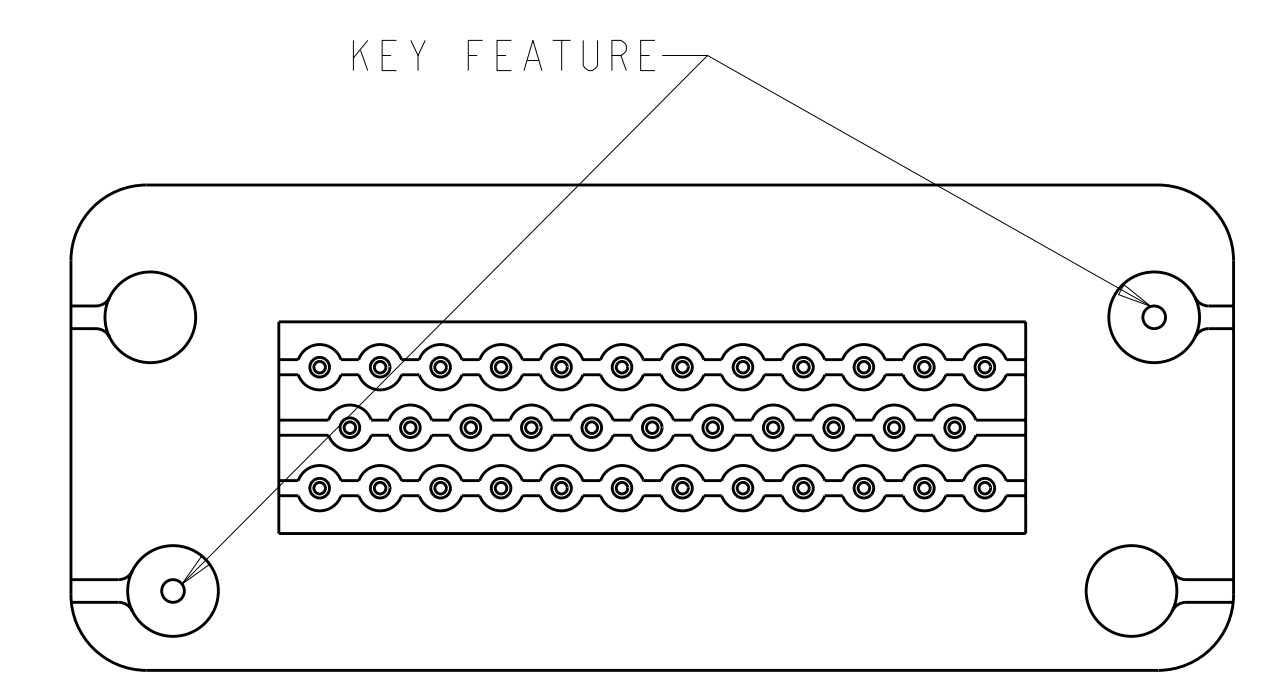
SECTION A-A
OPTIONAL CONSTRUCTION IF PANEL THICKNESS IS GREATER THAN 2.0



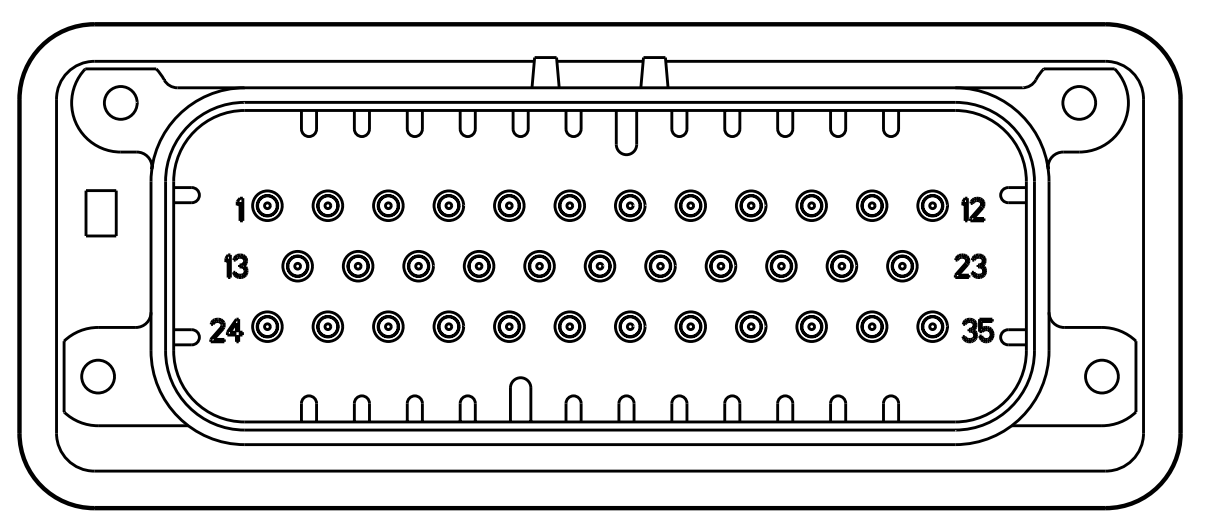
SECTION A-A
OPTIONAL CONSTRUCTION IF PANEL THICKNESS IS GREATER THAN 2.0



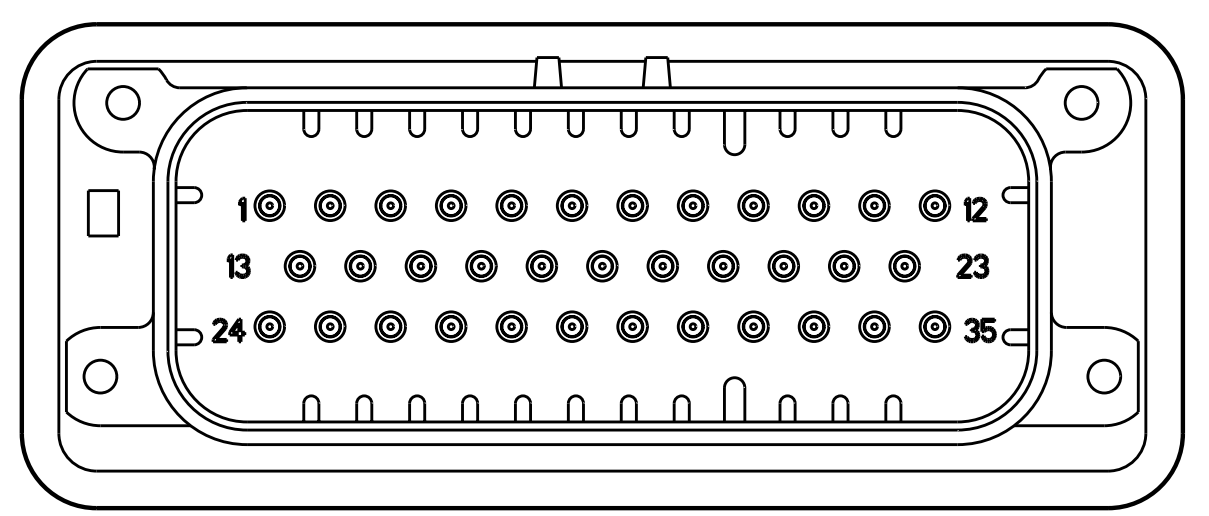
KEYING FOR 776231-1 1-776231-1, 776231-4, 1-776231-4 AND 1-776231-6
SCALE 2:1



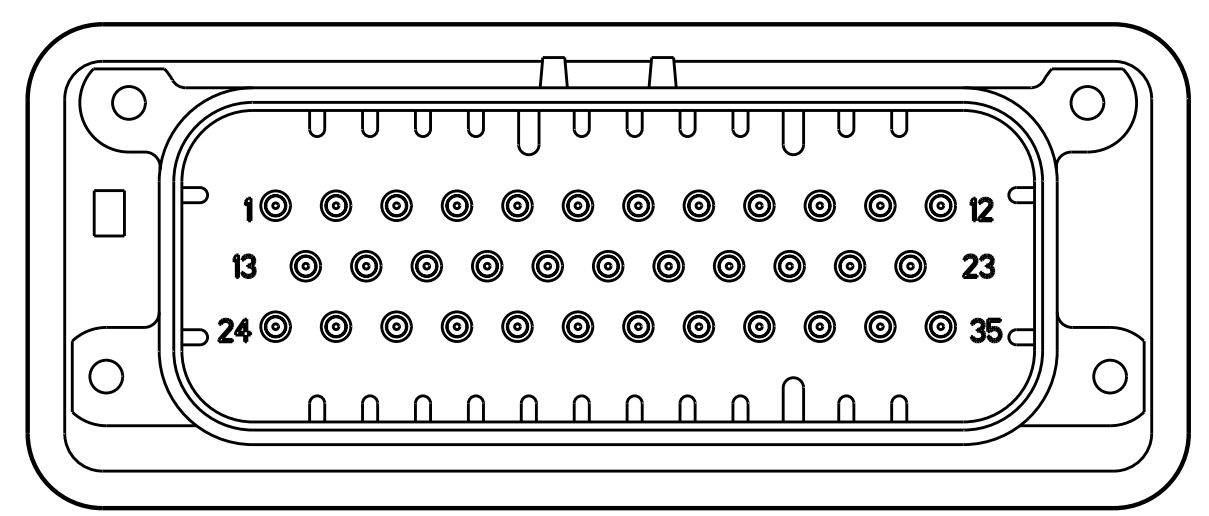
KEYING FOR 776231-2, 1-776231-2, 776231-5 AND 1-776231-5
SCALE 2:1



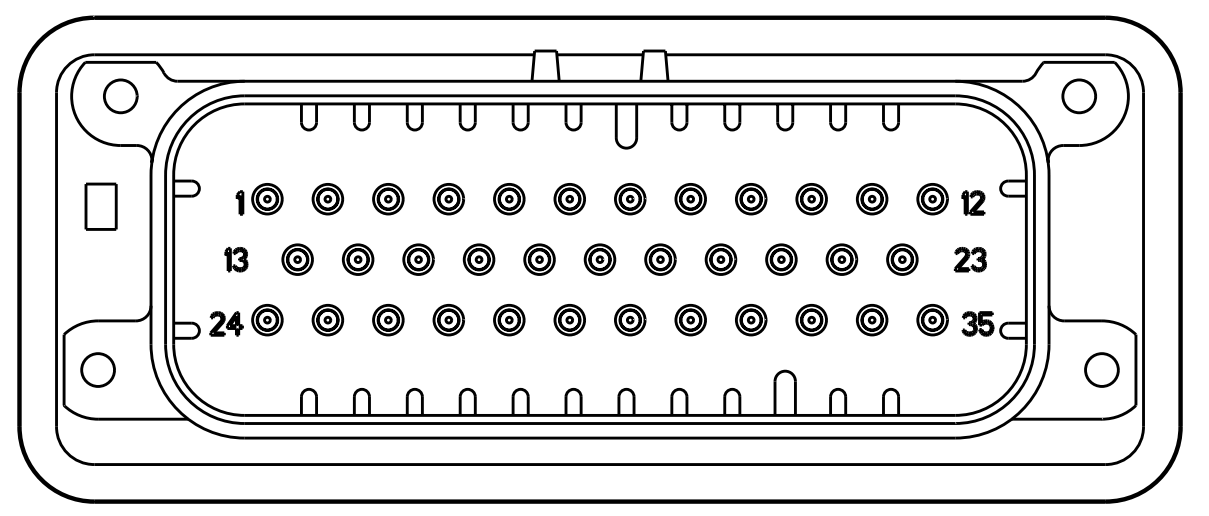
776231-2 & 1-776231-2
KEY LOCATION
SCALE 2:1



776231-4 & 1-776231-4
KEY LOCATION
SCALE 2:1



776231-5 & 1-776231-5
KEY LOCATION
SCALE 2:1



1-776231-6
KEY LOCATION
SCALE 2:1

THIS DRAWING IS A CONTROLLED DOCUMENT.		DWN D. STRAUSSER 05MAR2010	STE TE Connectivity	
DIMENSIONS: mm		CHK D. STRAUSSER 22MAR2010	NAME ASSEMBLY, HEADER, 35 POSITION, VERTICAL, AMPSEAL WITH FLANGE SEAL	
TOLERANCES UNLESS OTHERWISE SPECIFIED: 0 PLC ± 1 PLC ±0.2 2 PLC ±0.13 3 PLC ± 4 PLC ± ANGLES ±4°		APVD D. STRAUSSER 27APR2010	PRODUCT SPEC 108-1329	
MATERIAL		APPLICATION SPEC 114-16016	SIZE CAGE CODE DRAWING NO A100779C-776231	
FINISH		WEIGHT	RESTRICTED TO CUSTOMER DRAWING	
		SCALE 2:1	SHEET 2 OF 2 REV A5	