

Post Headers (Board Applied) (Continued)

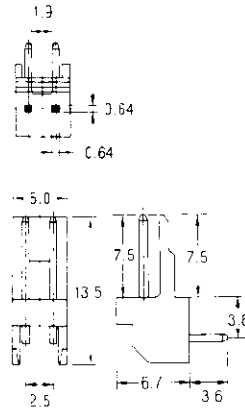
Horizontal Mount Type (2.5mm)

Material & Finish:

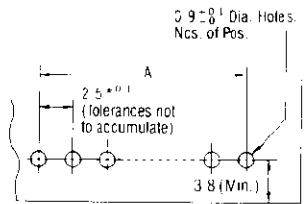
Header — Recognized by UL,
flame retardant grade,
UL 94V-0 rated, 6/6 nylon
Post — Brass, Tin or gold
(See table) over copper plated



2 Positions

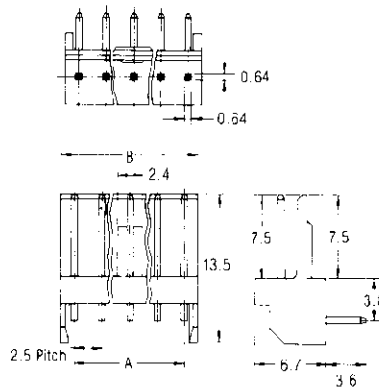


3 ~ 12 Positions



PC Board Layout

(Applicable board thickness: 1.6mm)



No. of Pos.	Dimensions		Part Number of Horizontal Mount Type			
	A	B	Tin Plated			Gold Plated
			Natural*	Black	Blue	Natural
2			171826-2	2-171826-2	4-171826-2	176153-2
3	5.0	7.5	171826-3	2-171826-3	4-171826-3	176153-3
4	7.5	10.0	171826-4	2-171826-4	4-171826-4	176153-4
5	10.0	12.5	171826-5	2-171826-5	4-171826-5	176153-5
6	12.5	15.0	171826-6	2-171826-6	4-171826-6	176153-6
7	15.0	17.5	171826-7	2-171826-7	4-171826-7	176153-7
8	17.5	20.0	171826-8	2-171826-8	4-171826-8	176153-8
9	20.0	22.5	171826-9	2-171826-9	4-171826-9	
10	22.5	25.0	1-171826-0	3-171826-0	5-171826-0	
12	27.5	30.0	1-171826-2	3-171826-2	5-171826-2	

*Natural is the standard and will be stocked. Other colors, minimums may apply.
Note: Other colors are available. Consult our Sales Dept.