

START HERE

iDRN-PR PROCESS INPUT

General Description:

The iDRN Series of DIN rail-mountable signal conditioners are available for Thermocouple, RTD, Strain, Process, AC Voltage, AC Current and Pulse/Totalizer input types. The factory calibrated signal conditioners are ideal for all process and power monitoring applications, they feature 3-way isolation, high accuracy input, programmable outputs, and are excellent front end interfaces for programmable logic controllers or data acquisition systems. For maximum user configurability the signal conditioners allow complete input-output scaling via a RS-232 connection to any PC or PLC.

Software Description:

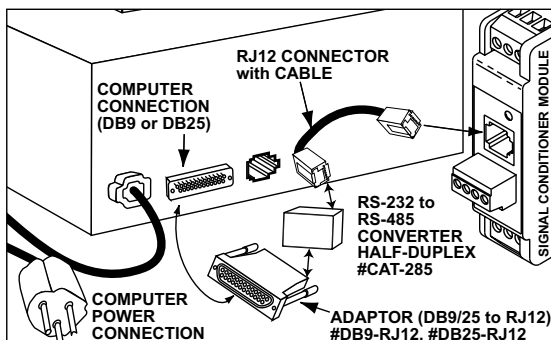
The signal conditioner configuration program is a MS DOS/Windows program (this manual is for the Windows version). It is designed especially for the iDRN Series Signal Conditioner. This program will run on any PC with Windows application and will start automatically.

Free Serial Communication software and ActiveX Controls are on the CD-ROM enclosed with this shipment. To download the latest software release (or request a free CD-ROM) please go to: www.newportUS.com/software

What You need:

- Your choice of the signal conditioner
- IBM PC or compatible
- Windows software 3.1 or higher, or Windows 95/98
- RJ12 connector with telephone cable
- Adapter (DB9 or DB25 to RJ12)

Setting up your System



2

INPUT RANGES:
±20mA; ±400mV, ±1V, ±2V, ±5V, and ±10V
Ratiometric or nonratiometric

EXCITATION:
14V or 10V @ 25mA

INPUT IMPEDANCE:
Voltage Range: 1MΩ
Current Range: 10Ω

ISOLATION:
Dielectric strength per 1 minute test based on EN 61010 for 50 Vdc or Vrms working voltage.
Three way Isolation:
• Power to Signal Input: 1800V Peak
• Power to Analog Output/Communication: 1800V Peak
• Signal Input to Analog Output/Communication: 1400V Peak

COMMON MODE REJECTION:
100dB

INPUT OVER-RANGE PROTECTION:
Voltage input: 50V
Current input: 50mA

MODE:
Linear, Square root, Linear totalize, Square root totalize

ANALOG TO DIGITAL TECHNIQUE:
Multiple slopes

READ RATE:
8 readings/second, automatic polarity

ACCURACY AT 25 °C:
±0.1% of FS ± 2 counts

TEMPERATURE STABILITY:
100 ppm/°C typical

STEP RESPONSE FOR RS232 OUTPUT:
2 seconds to 99% of the final value
(Filter time constant = 64)

RESPONSE TIME:
To verify the response time, check the carriage return <CR>, it will be sent at the end of the response. You can send another command after you receive the <CR>.
i.e. send: *X01 response: X01<DATA><CR>

WARM UP TO RATED ACCURACY:
30 minutes

ANALOG OUTPUT SIGNAL TYPE:
Voltage: 0-10 Volt, maximum current 10mA
Current: 0-20 mA or 4-20 mA, maximum compliance voltage 10 Volts (maximum loop resistance 500Ω)

3

ANALOG OUTPUT LINEARITY:
0.1% of FS

ANALOG OUTPUT STEP RESPONSE TIME:
2 seconds to 99% of final value

INPUT POWER:
10 to 32 Volt DC

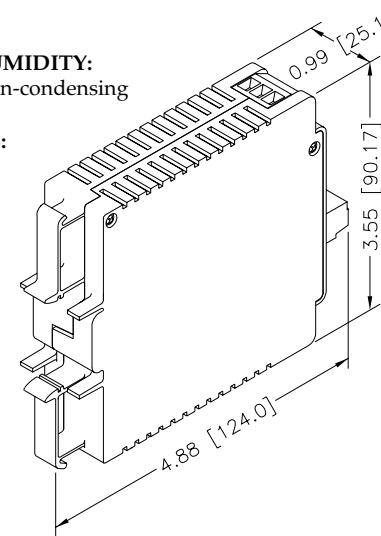
POWER CONSUMPTION:
3 watts (125 mA at 24Vdc)

OPERATING AMBIENT:
-5 to +55 °C

STORAGE TEMPERATURE:
-40 to +85 °C

RELATIVE HUMIDITY:
90% at 40 °C non-condensing

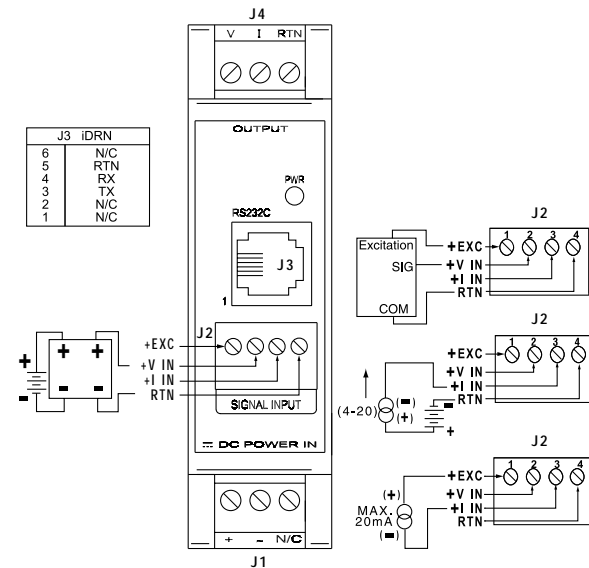
DIMENSIONS:



Introduction:

The Process input signal conditioners are high performance instruments that measure DC currents/voltages in 6 ranges which are as follows: ±20mA; ±400mV, ±1Volt, ±2Volts, ±5Volts, and ±10Volts. Key features of the signal conditioners are operation in linear or square root and process totalize modes, scalable analog output and a simple RS232 interface for scaling analog output and range selection. The RS232 interface may also be used for digital transmission of input signal to a computer or a PLC. Additional features include three way isolation between DC power, signal input and analog output/RS232.

4



Operation:

Power Input and Analog Output Setup:

To connect the signal input proceed as follows:

1. Connect a DC power supply with an output voltage between 10 to 32Volt DC to the signal conditioner (J1).
- Note:** If power supply used has current limiting, it may not be able to power the signal conditioners if the available output voltage is around 10Volt, since the peak current may reach 1 to 5 amp for a few milliseconds.
2. Determine the maximum voltage to be measured.
3. Determine the appropriate input signal range, i.e. ±20mA; ±400mV, ±1Volt, ±2Volts, ±5Volts, or ±10Volts.
4. Ensure that if the selected range is different from the default then change the internal range which is controlled by the software by using serial communication explained later in this manual.
5. Connect the signal input to screw terminal, and ensure that the screws are tight. Connect voltage sources to pin 2 of J2 and current sources to pin 3 of J2.

5

6. To verify that the set up is correct, you may connect a DVM to the analog output. Once connected, power the signal conditioner and apply a known voltage from a DC source to input. Measure and compare with expected values. To custom scale the analog output proceed to the next step.

7. To view/change the scaling that relates the analog output to signal input: connect the RS232 output of the signal conditioner to an available serial port of a computer. The cable and the DB9 or DB25 connectors are available as an option.

8. Turn on the computer, start Windows 3.0 or higher and run the Signal Conditioner Configuration Setup Program.

9. Start the configuration program, you need to indicate which serial port is to be used for serial communication by checking the appropriate check box on the opening menu.

Note: It is not necessary to know the serial communication protocol (baud rate, parity, 7/8 data bit and stop bit). The program will determine this information automatically. However, it is good practice to mark the protocols used on the signal conditioner label if different from default.

10. Once the program starts it will automatically detect the signal conditioner configuration and will display a window of available options. To view the signal input click on the display on/off.

11. To change analog output scaling choose analog output scaling and enter the desired values.

12. Once the custom scaling is finished, **ensure that Send Configuration is clicked**, otherwise the changes will not take effect.

13. The input/output scaling may be fine tuned, while both communication and analog output are active. You may make a change to the analog output in the configuration program, and watch the DVM connected to analog output of the signal conditioner follow the new settings.

14. You may save or print a particular configuration by selecting the file menu. It's always a good practice to both print and save the scaling of each signal conditioner.

15. If the program is not able to establish communication then an error message is displayed. This happens either when the wrong serial port is specified or when the cable is accidentally disconnected.

16. The procedure to disable Continuous Mode and change the iDRN to Command Mode is as follows:

6

Using HyperTerminal, or any serial communication program, type: **Ctrl + S**

To change the device to Command Mode, type: **^AE**

To change the Bus Format Register, type: ***W0814**

To reset the device, type: ***Z01**

Cycle power to the unit.

Modbus Register Definition

Reg. #	Read Function	Write Function	# of byte
1	Input Range	Input Range	1
2	Input/Output Config.	Input/Output Conf.	1
3	Decimal Point	Decimal Point	1
4	Filter Time Constant	Filter Time Constant	1
5	Analog Output Scale	Analog Output Scale	3
6	Analog Output Offset	Analog Output Offset	3
7	Comm. Parameters	Comm. Parameters	1
8	Comm. Bus Format	Comm. Bus Format	1
9	Comm. Data Format	Comm. Data Format	1
A	Comm. Device Addr.	Comm. Device Addr.	1
B	Comm. Recog. Char.	Comm. Recog. Addr.	1
C	Unit of measure	Not supported	3
D	Gate Time	Gate Time	1
E	Debounce Time	Debounce Time	1
F	Transmit Time	Transmit Time	2
10	Main Value	Hard Reset	3
11	-	-	-
12	Reading Scale	Reading Scale	3
13	Reading Offset	Reading Offset	3
14	Not Supported	L.S. byte Output Scale	1
15	Not Supported	M.S. bytes Output Offset	1
16	Not Supported	L.S. byte Output Offset	2

Note:

- 1) Main, Peak, Valley value: 4 bytes will send from the unit
 - a. Highest byte always 00h.
 - b. 2nd Highest byte: (MSB is sign (1=negative, 0=positive), next 3 bits are number of decimal points).
 - c. Low nibble of second byte, and lowest 2 bytes are the value.
 - d. The decimal point register has to set to: 1, 2, 3, or 4.
- 2) Bus Format: Bit 5 1/0 = Modbus/Newport
- 3) Output Scale/Offset Write:

Due to write single only, two write operation is needed to write scale/offset, and to make it effective it needs to follow with Hard Reset command.
- 4) To configure to Newport protocol, set bit 5 of Bus Format to low and follow with Hard Reset command.

WARNING: These products are not designed for use in, and should not be used for, patient-connected applications.



This device is marked with the international caution symbol. It is important to read the Setup Guide before installing or commissioning this device, as the guide contains important information relating to safety and EMC.

It is the policy of NEWPORT to comply with all worldwide safety and EMC/EMI regulations that apply. NEWPORT is constantly pursuing certification of its products to the European New Approach Directives. NEWPORT will add the CE mark to every appropriate device upon certification.

The information contained in this document is believed to be correct, but NEWPORT Electronics, Inc. accepts no liability for any errors it contains, and reserves the right to alter specifications without notice.

PATENT NOTICE: This product is covered by one or more of the following patents: U.S. Pat. No. Des. 336,895, 5,274,577/ Canada 2052599, 2052600/ Italy 1249456, 1250938/ France Brevet No. 91 12756/ Spain 2039150, 2048066/ UK Patent No. GB2 249 837, GB2 248 954/ Germany DE 41 34398 C2.

TRADEMARK NOTICE:

NEWPORT, **INFINITY**

newportUS.com and **INFINITY** are trademarks of

NEWPORT Electronics, Inc.

WARRANTY/DISCLAIMER

NEWPORT Electronics, Inc. warrants this unit to be free of defects in materials and workmanship for a period of **one (1) year** from the date of purchase. In addition to NEWPORT's standard warranty period, NEWPORT Electronics will extend the warranty period for **one (1) additional year** if the warranty card enclosed with each instrument is returned to NEWPORT.

If the unit malfunctions, it must be returned to the factory for evaluation. NEWPORT's Customer Service Department will issue an Authorized Return (AR) number immediately upon phone or written request. Upon examination by NEWPORT, if the unit is found to be defective, it will be repaired or replaced at no charge. NEWPORT's WARRANTY does not apply to defects resulting from any action of the purchaser, including but not limited to mishandling, improper interfacing, operation outside of design limits, improper repair, or unauthorized modification. This WARRANTY is VOID if the unit shows evidence of having been tampered with or shows evidence of having been damaged as a result of excessive corrosion; or current, heat, moisture or vibration; improper specification; misapplication; misuse or other operating conditions outside of NEWPORT's control. Components which wear are not warranted, including but not limited to contact points, fuses, and triacs.

NEWPORT is pleased to offer suggestions on the use of its various products. However, NEWPORT neither assumes responsibility for any omissions or errors nor assumes liability for any damages that result from the use of its products in accordance with information provided by NEWPORT, either verbal or written. NEWPORT warrants only that the parts manufactured by it will be as specified and free of defects.

NEWPORT MAKES NO OTHER WARRANTIES OR REPRESENTATIONS OF ANY KIND WHATSOEVER, EXPRESS OR IMPLIED, EXCEPT THAT OF TITLE, AND ALL IMPLIED WARRANTIES INCLUDING ANY WARRANTY OF MERCHANTABILITY AND FITNESS FOR A PARTICULAR PURPOSE ARE HEREBY DISCLAIMED.

LIMITATION OF LIABILITY: The remedies of purchaser set forth herein are exclusive, and the total liability of NEWPORT with respect to this order, whether based on contract, warranty, negligence, indemnification, strict liability or otherwise, shall not exceed the purchase price of the component upon which liability is based. In no event shall NEWPORT be liable for consequential, incidental or special damages.

CONDITIONS: Equipment sold by NEWPORT is not intended to be used, nor shall it be used: (1) as a "Basic Component" under 10 CFR 21 (NRC), used in or with any nuclear installation or activity; or (2) in medical applications or used on humans. Should any Product(s) be used in or with any nuclear installation or activity, medical application, or used on humans, or misused in any way, NEWPORT assumes no responsibility as set forth in our basic WARRANTY/DISCLAIMER language, and, additionally purchaser will indemnify NEWPORT and hold NEWPORT harmless from any liability or damage whatsoever arising out of the use of the Product(s) in such a manner.

RETURN REQUEST/INQUIRIES

Direct all warranty and repair requests/inquiries to the NEWPORT Customer Service Department. BEFORE RETURNING ANY PRODUCT(S) TO NEWPORT, PURCHASER MUST OBTAIN AN AUTHORIZED RETURN NUMBER FROM NEWPORT'S CUSTOMER SERVICE DEPARTMENT (IN ORDER TO AVOID PROCESSING DELAYS). The assigned AR number should then be marked on the outside of the return package and on any correspondence.

The purchaser is responsible for shipping charges, freight, insurance and proper packaging to prevent breakage in transit.

FOR WARRANTY RETURNS, REPAIRS, please consult NEWPORT for current repair BEFORE contacting NEWPORT: NEWPORT:

1. Purchase Order number under which the product was PURCHASED.
2. Model and serial number of the product under warranty, and
3. Repair instructions and/or specific problems relative to the product.

FOR NON-WARRANTY have the following information available charges: Have the following information available BEFORE contacting NEWPORT:

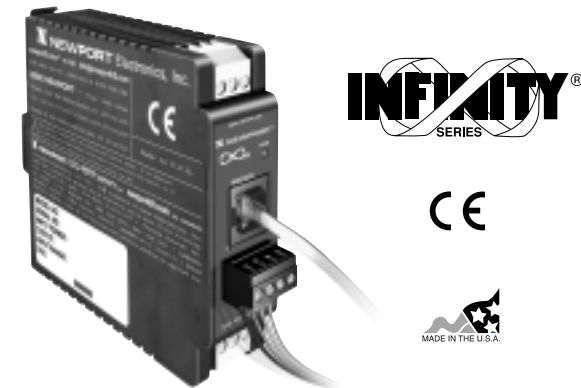
1. Purchase Order number to cover the COST of the repair.
2. Model and serial number of product, and
3. Repair instructions and/or specific problems relative to the product.

NEWPORT's policy is to make running changes, not model changes, whenever an improvement is possible. This affords our customers the latest in technology and engineering.

NEWPORT is a registered trademark of NEWPORT Electronics, Inc.

© Copyright 2004 NEWPORT Electronics, Inc. All rights reserved.

This document may not be copied, photocopied, reproduced, translated, or reduced to any electronic medium or machine-readable form, in whole or in part, without the prior written consent of NEWPORT Electronics, Inc.



iDRN-PR Process Signal Conditioner

For immediate technical or application assistance please call:

1-800-6397678
1-800-NEWPORT

Newport Electronics, Inc.
2229 South Yale Street • Santa Ana, CA • 92704 • U.S.A.
TEL: (714) 540-4914 • FAX: (203) 968-7311
Toll Free: 1-800-639-7678 • www.newportUS.com • e-mail: info@newportUS.com
ISO 9001 Certified

Newport Technologies, Inc.
976 Bergar • Laval (Quebec) • H7L 5A1 • Canada
TEL: (514) 335-3183 • FAX: (514) 856-6886
Toll Free: 1-800-639-7678 • www.newport.ca • e-mail: info@newport.ca

Newport Electronics, Ltd.
One Omega Drive • River Bend Technology Centre
Northbank, Irlam • Manchester M44 5BD • United Kingdom
Tel: +44 161 777 6611 • FAX: +44 161 777 6622
Toll Free: 0800 488 488 • www.newportuk.co.uk • e-mail: sales@newportuk.co.uk

Newport Electronics B.V.
Postbus 8034 • 1180 LA Amstelveen • The Netherlands
TEL: +31 20 3472121 • FAX: +31 20 6434643
Toll Free: 0800 0993344 • www.newport.nl • e-mail: info@newport.nl

Newport Electronics spol s.r.o.
Frystatska 184, 733 01 Karviná • Czech Republic
TEL: +420 59 6311899 • FAX: +420 59 6311114
Toll Free: 0800-1-66342 • www.newport.cz • e-mail: info@newport.cz

Newport Electronics GmbH
Daimlerstrasse 26 • D-75392 Deckenpfronn • Germany
TEL: 49 7056 9398-0 • FAX: 49 7056 9398-29
Toll Free: 0800 / 6397678 • www.newport.de • e-mail: sales@newport.de

Newport Electronique S.A.R.L.
11, rue Jacques Cartier • 78280 Guyancourt • France
TEL: +33 1 61 37 29 00 • FAX: +33 1 30 57 54 27
Toll Free: 0800 466 342 • www.newport.fr • e-mail: sales@newport.fr

Mexico and Latin America
FAX: 001 (203) 359-7807
En Español: 001 (203) 359-7803

NEWPORTnet™ On-Line Service **Internet e-mail**
www.newportUS.com info@newportUS.com

NEWPORT Electronics, Inc.