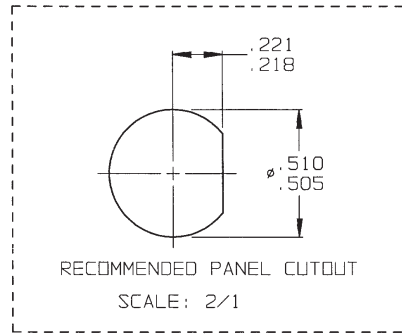
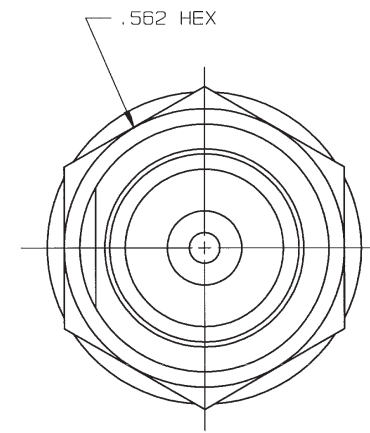
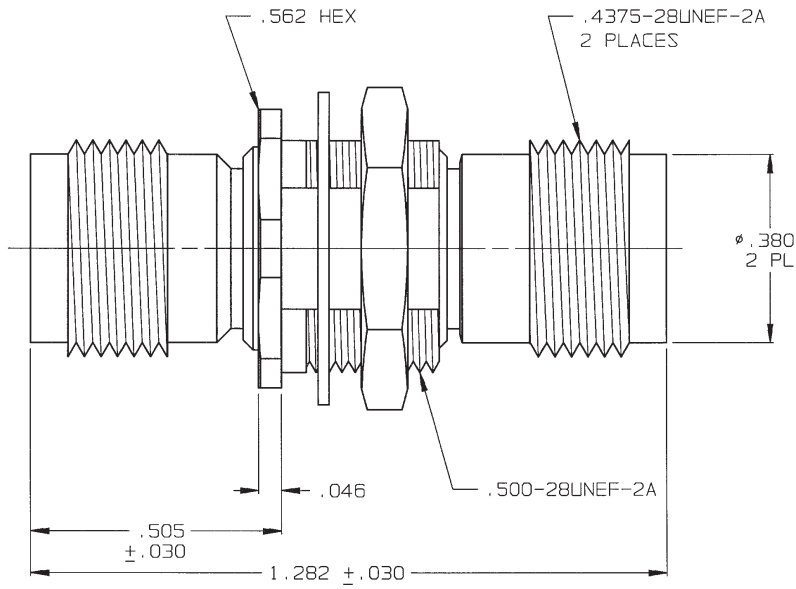


RED INDICATES ORIGINAL

DATA CONTAINED IN THIS DOCUMENT IS PROPRIETARY TO TROMPETER ELECTRONICS, INC. AND SHALL NOT BE DISCLOSED, COPIED OR USED FOR PROCUREMENT OR MANUFACTURE WITHOUT EXPRESS WRITTEN PERMISSION OF TROMPETER ELECTRONICS, INC.

REVISIONS		1-0048	SH 1C
REV	DESCRIPTION	DATE	APPROVED
D	REVISED PER ECO #13991	4/17/01	[Signature]

DASH NO	MODEL NO	IMPD OHMS
-1	BJ48	50
-2	UBJ48	75



3. SOCKET CONTACT COAXIAL TNC TYPE INSULATED FEED THRU BULKHEAD JACK, 50 AND 75 OHM VERSIONS
2. MAX PANEL THK .156
1. ALL DIM ARE IN INCHES

INTERPRET DRAWING PER MIL-STD-100 DIMENSIONS ARE IN INCHES AND INCLUDE FINISH THICKNESS UNLESS OTHERWISE SPECIFIED		TOL: UNLESS SPECIFIED .XX .XXX ±.005 .XXXX ANGLES			
MATERIAL:		TITLE: BJ48/UBJ48			
DRAWN DKC	DATE 4-16-01	FINISH: TFS-1A (NICKEL)	SIZE B 14949	DRAWING NO. 1-0048	REV. D
CHECKED [Signature]	APPROVED [Signature]	CAD FILE NO. 1-0048D1	SCALE 4/1	DATE 11-5-79	SHEET 1C

NEXT ASSY