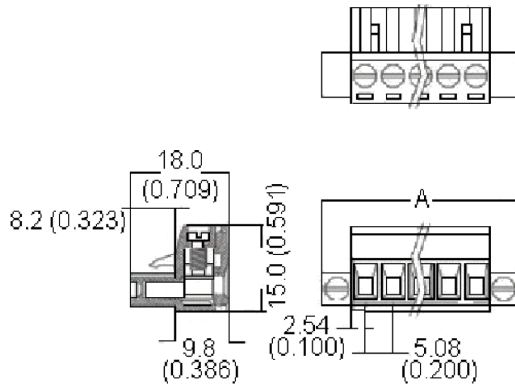




Specifications:

Connector Type	: Terminal Block
Contact Termination	: Free Hanging
Gender	: Plug
No. of Contacts	: 2
No. of Rows	: 1
Pitch Spacing	: 5.08mm
Contact Plating	: Tin
Contact Material	: Phosphor Bronze
Current Rating	: 16A
Material	: Polyamide 6.6
Operating Temperature	: -40°C to +105°C
Terminal Type	: Cage Clamp
Voltage Rating	: CUL: 300V AC VDE: 380V AC
Wire Size	: CUL: 24 - 2AWG VDE: 0.2 - 4mm ²

Locking Plug



Cage Lamp: Steel

Dimensions : Millimetres (Inches)

Part Number Table

Description	A	Part Number
Plug, Free R/A 5.08mm 2 Way Locking	20.3 (0.8)	MC101 508002
Plug, Free R/A 5.08mm 3 Way Locking	25.4 (1)	MC101 508003
Plug, Free R/A 5.08mm 4 Way Locking	30.5 (1.2)	MC101 508004
Plug, Free R/A 5.08mm 5 Way Locking	35.6 (1.4)	MC101 508005
Plug, Free R/A 5.08mm 6 Way Locking	40.6 (1.6)	MC101 508006
Plug, Free R/A 5.08mm 8 Way Locking	50.8 (2)	MC101 508008
Plug, Free R/A 5.08mm 10 Way Locking	61 (2.4)	MC101 508010
Plug, Free R/A 5.08mm 12 Way Locking	71.1 (2.8)	MC101 508012

Dimensions : Millimetres (Inches)

Important Notice : This data sheet and its contents (the "Information") belong to the members of the Premier Farnell group of companies (the "Group") or are licensed to it. No licence is granted for the use of it other than for information purposes in connection with the products to which it relates. No licence of any intellectual property rights is granted. The Information is subject to change without notice and replaces all data sheets previously supplied. The Information supplied is believed to be accurate but the Group assumes no responsibility for its accuracy or completeness, any error in or omission from it or for any use made of it. Users of this data sheet should check for themselves the Information and the suitability of the products for their purpose and not make any assumptions based on information included or omitted. Liability for loss or damage resulting from any reliance on the Information or use of it (including liability resulting from negligence or where the Group was aware of the possibility of such loss or damage arising) is excluded. This will not operate to limit or restrict the Group's liability for death or personal injury resulting from its negligence. Multicomp is the registered trademark of the Group. © Premier Farnell plc 2012.