

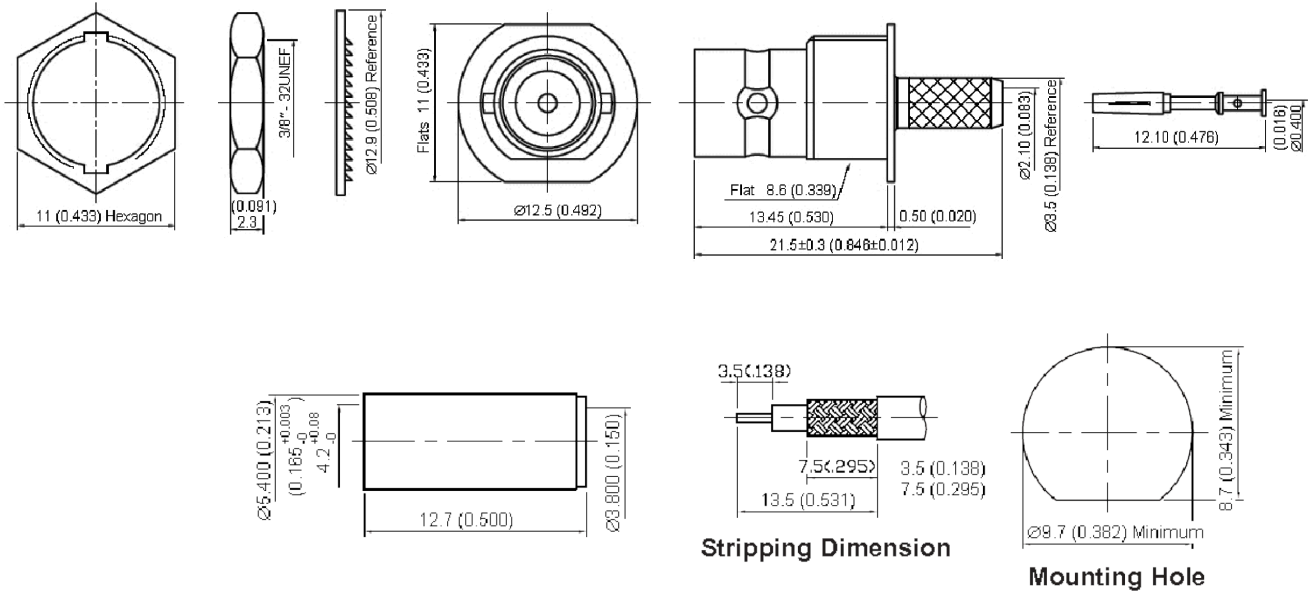
Mini BNC Jack Crimp, 75Ω



Specifications:

Connector Type	: BNC Coaxial
Coaxial Termination	: Crimp
Impedance	: 75Ω
RG Cable Type	: AT&T735A, Belden 735A1
Contact Material	: Phosphor Bronze
Contact Plating	: Gold
Frequency Max.	: 2GHz
Connector Mounting	: Panel
Body Plating	: Nickel
Coaxial Type	: RG179B, 187A
Contact Resistance	: 12mΩ
Insulation Resistance	: 1,000MΩ
Insulator Material	: PTFE
Mounting Type	: Bulkhead
No. of Mating Cycles	: 500
Operating Temperature	: -40°C to +85°C
Plug Body Material	: Brass
VSWR	: 1.16
Voltage Rating	: 400V AC
Withstand Voltage	: 1,000V

Mini BNC Jack Crimp, 75Ω



Dimensions : Millimetres

Number	Part Name	Material	Finish
1	Nut	Brass	Nickel 100µ Min.
2	Washer	Iron	
3	Insulation	PTFE	None
4	Body	Brass	Nickel 100µ Min.
5	Chassis		
6	Centre Contact	Phosphor Bronze	Gold
7	Crimp Ferrule	Brass	Nickel 100µ" Min.

Part Number Table

Description	Part Number
Jack, Mini BNC, 75Ω, Crimp	56-02N-TGN

Important Notice : This data sheet and its contents (the "Information") belong to the members of the Premier Farnell group of companies (the "Group") or are licensed to it. No licence is granted for the use of it other than for information purposes in connection with the products to which it relates. No licence of any intellectual property rights is granted. The Information is subject to change without notice and replaces all data sheets previously supplied. The Information supplied is believed to be accurate but the Group assumes no responsibility for its accuracy or completeness, any error in or omission from it or for any use made of it. Users of this data sheet should check for themselves the Information and the suitability of the products for their purpose and not make any assumptions based on information included or omitted. Liability for loss or damage resulting from any reliance on the Information or use of it (including liability resulting from negligence or where the Group was aware of the possibility of such loss or damage arising) is excluded. This will not operate to limit or restrict the Group's liability for death or personal injury resulting from its negligence. Multicomp is the registered trademark of the Group. © Premier Farnell plc 2012.

www.element14.com
www.farnell.com
www.newark.com

