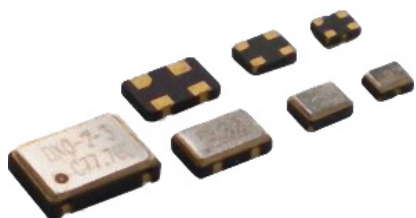


SMD Clock Oscillator

DXO-57, 16MHz



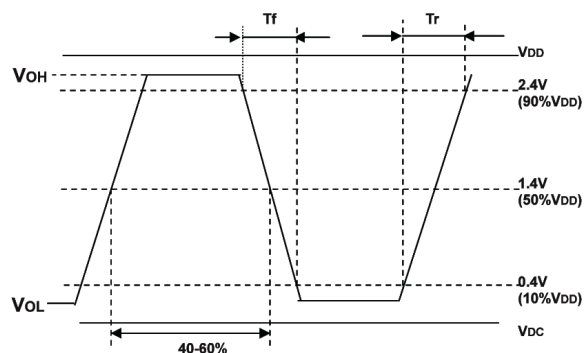
Features:

- Choice of 3.3V and 5V supply versions
- General, Microprocessor
- Ultra Thin Ceramic Package
- Cost effective
- Surface mount
- HCMOS/TTL output
- Tri-state option
- Supplied taped and reeled

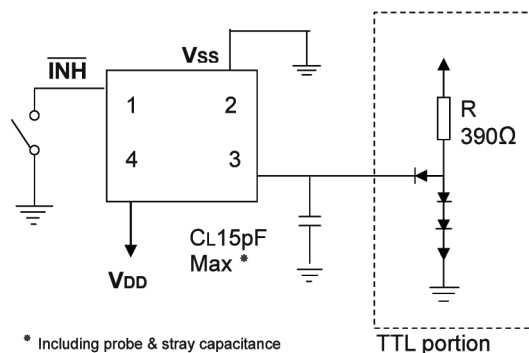
Specifications:

Nominal Frequency Range	: 1.5 to 23.99MHz 24 to 49.99MHz 50 to 80MHz
Frequency Toleration	: ± 50 ppm (Options: ± 25 , ± 100 ppm)
Operating Temperature Range	: 0°C to $+70^{\circ}\text{C}$
Storage Temperature Range	: -40°C to $+85^{\circ}\text{C}$
Supply Voltage (V_{DD})	: 3.3V or 5V $\pm 10\%$
Current Consumption (Max.)	: 25mA 40mA 50mA
Output Symmetry at $1/2V_{DD}$: 40% to 60% (standard), 45% to 55% tight
Output Load	: 15pF HCMOS or 10TTL
Output Level "L" (Max.)	: 10% V_{DD} HCMOS or +0.4V DC TTL
Output Level "H" (Min.)	: 90% V_{DD} HCMOS or +2.4V DC TTL
Rise/Fall Time (10%-90% V_{DD})(Max.)	: 10ms
Start up Time (Max.)	: 10ms
Stand by function	: Tri State

Output Waveform

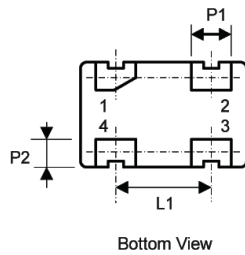
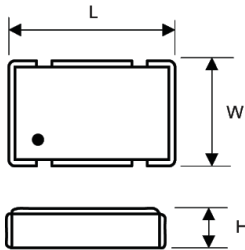


Test Circuit

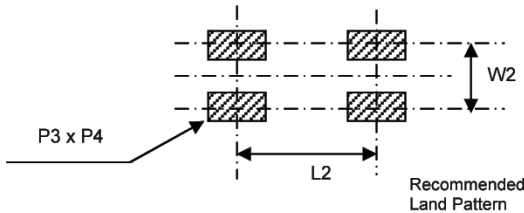


SMD Clock Oscillator

DXO-57, 16MHz



Pin	Connection
1	NC or INH
2	V _{SS}
3	Output
4	+V _{DD}



L	W	H	L1	P1	P2	L2	W2	P3	P4
7 ±0.15	5 ±0.15	1.4 ±0.2	5.08 ±0.15	1.4 ±0.1	1.2 ±0.1	6.4 ±0.15	3.74 ±0.15	2.2 ±0.1	1.4 ± 0.1

Dimensions : Millimetres

Part Number Table

Description	Part Number
Oscillator, DXO-57 16MHz	DXO57-16-50-T-3.3-TS

Important Notice : This data sheet and its contents (the "Information") belong to the members of the Premier Farnell group of companies (the "Group") or are licensed to it. No licence is granted for the use of it other than for information purposes in connection with the products to which it relates. No licence of any intellectual property rights is granted. The Information is subject to change without notice and replaces all data sheets previously supplied. The Information supplied is believed to be accurate but the Group assumes no responsibility for its accuracy or completeness, any error in or omission from it or for any use made of it. Users of this data sheet should check for themselves the Information and the suitability of the products for their purpose and not make any assumptions based on information included or omitted. Liability for loss or damage resulting from any reliance on the Information or use of it (including liability resulting from negligence or where the Group was aware of the possibility of such loss or damage arising) is excluded. This will not operate to limit or restrict the Group's liability for death or personal injury resulting from its negligence. Multicomp is the registered trademark of the Group. © Premier Farnell plc 2012.