

Power Diode

Fast Recovery



Features:

- Fast reverse recovery time, t_{rr}
- Low forward voltage drop, V_F
- Low cost axial packages
- High current capability
- High reliability
- High surge current capability

Mechanical Data:

Cases	: Moulded plastic DO-201AD
Lead	: Axial leads, solderable per MIL-STD-202, Method 208 guaranteed
Polarity	: Colour band denotes cathode end
High temperature soldering guaranteed	: 260°C/10 seconds/0.375", (9.5mm) lead lengths at 5lbs., (2.3kg) tension

Maximum Ratings and Electrical Characteristics

Rating at 25°C ambient temperature unless otherwise specified. Single phase, half wave, 60Hz, resistive or inductive load. For capacitive load, derate current by 20%.

Type Number	Symbol	HER305	HER307	Unit
Maximum recurrent peak reverse voltage	V_{RRM}	400	800	V
Maximum RMS voltage	V_{RMS}	280	560	
Maximum DC blocking voltage	V_{DC}	400	800	
Maximum average forward rectified current 0.375" (9.5mm) lead length at $T_A = 55^\circ\text{C}$	$I_{(AV)}$	3		A
Peak forward surge current, 8.3ms single half sine-wave superimposed on rated load (JEDEC method)	I_{FSM}	150		
Maximum instantaneous forward voltage at 3A	V_F	1.3	1.7	V
Maximum DC reverse current at $T_A = 25^\circ\text{C}$ at rated DC blocking voltage at $T_A = 100^\circ\text{C}$	I_R	10 200		μA
Maximum reverse recovery time (Note 1)	T_{rr}	50	75	ns
Typical junction capacitance (Note 2)	C_j	70	50	pF
Typical thermal resistance (Note 3)	$R\theta_{JA}$	40		$^\circ\text{C}/\text{W}$
Operating temperature range	T_J	-65 to +150		$^\circ\text{C}$
Storage temperature range	T_{STG}			

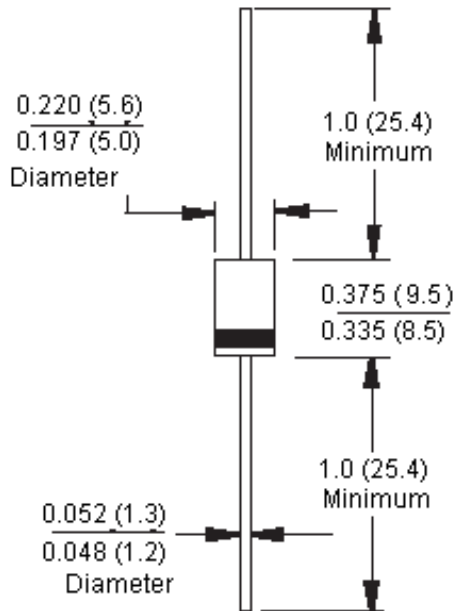
Notes:

1. Reverse recovery test conditions: $I_F = 0.5\text{A}$, $I_R = 1\text{A}$, $I_{RR} = 0.25\text{A}$
2. Measured at 1MHz and applied reverse voltage of 4V DC
3. Mount on Cu-Pad Size 16mm x 16mm on PCB

Power Diode Fast Recovery



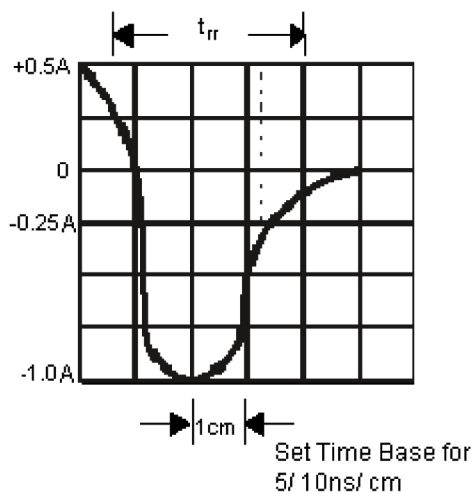
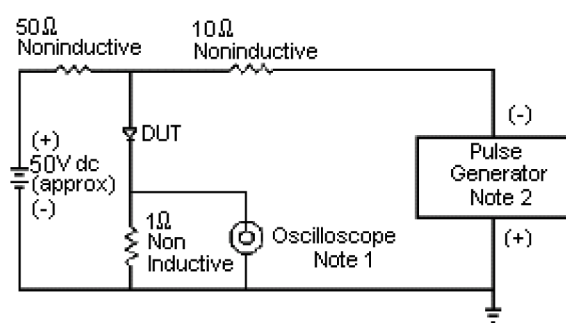
DO-201AD



Dimensions : Millimetres (Inches)

Ratings and Characteristic Curves

Figure 1 Reverse Recovery Time Characteristic and Test Circuit Diagram



Note:

1. Rise Time = 7nS maximum
Input Impedance = 1MΩ, 22pF
2. Rise Time = 10nS maximum
Source Impedance = 50Ω



Power Diode Fast Recovery



Figure 2 Maximum Average Forward Current Derating

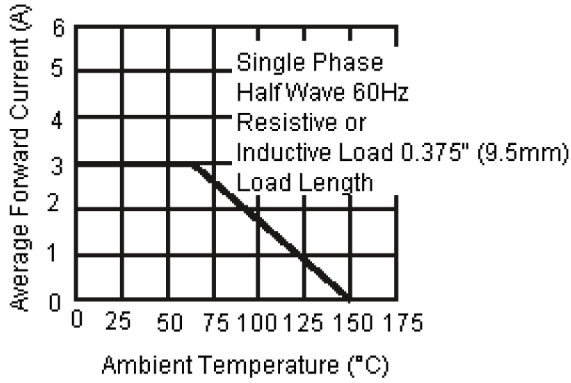


Figure 3 Typical Reverse Characteristics

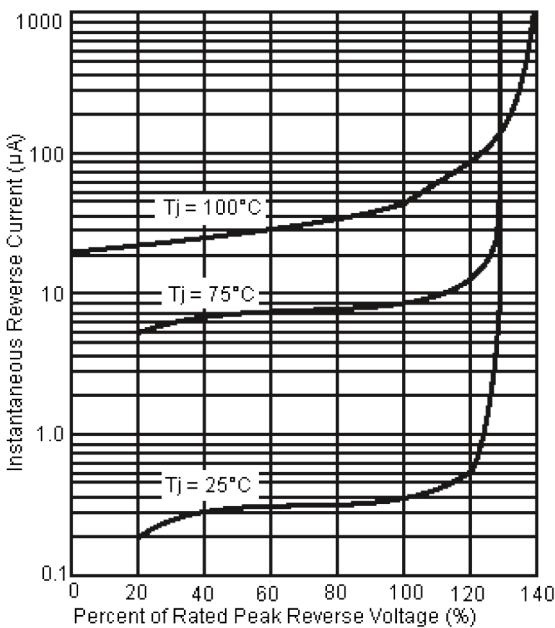
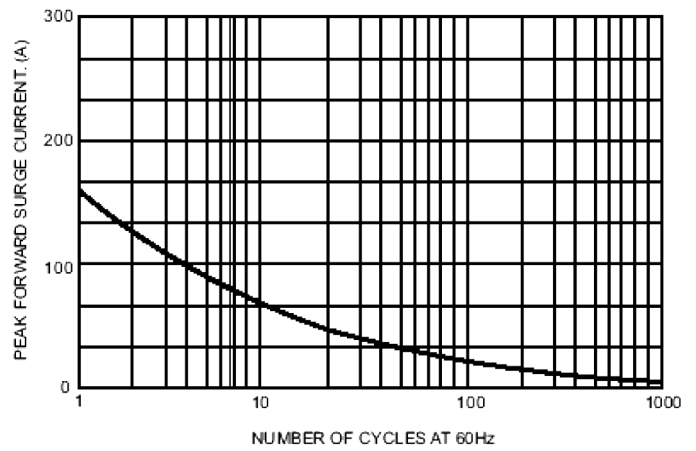


Figure 4 Maximum Non-Repetitive Forward Surge Current



Power Diode Fast Recovery



Figure 5 Typical Forward Characteristics

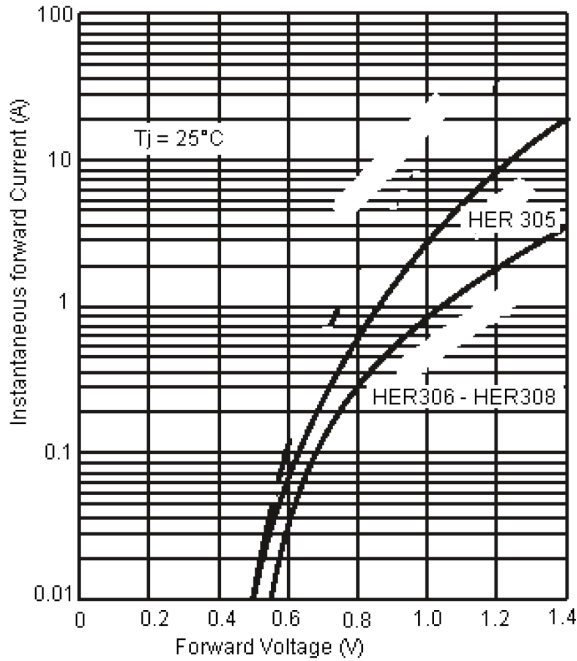
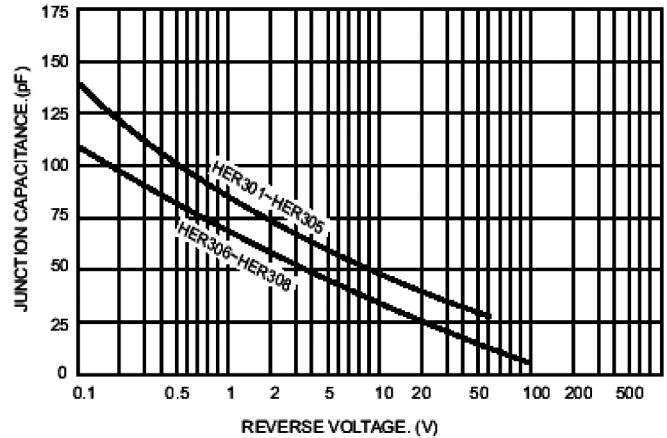


Figure 6 Typical Junction Capacitance



Part Number Table

Description	V _{rrm} max. (V)	I _F (av) (A)	I _{FSM} (A)	t _{rr} maxi. (ns)	V _F (V) at I _F = 3A	Length (mm)	Diameter (mm)	Package	Part Number
Diode, Fast, 3A, 800V	800	-	-	-	-	9.5	5.6	DO-201AD	HER307
Diode, Fast, 3A, 400V	400	3	150	50	1				HER305

Important Notice : This data sheet and its contents (the "Information") belong to the members of the Premier Farnell group of companies (the "Group") or are licensed to it. No licence is granted for the use of it other than for information purposes in connection with the products to which it relates. No licence of any intellectual property rights is granted. The Information is subject to change without notice and replaces all data sheets previously supplied. The Information supplied is believed to be accurate but the Group assumes no responsibility for its accuracy or completeness, any error in or omission from it or for any use made of it. Users of this data sheet should check for themselves the Information and the suitability of the products for their purpose and not make any assumptions based on information included or omitted. Liability for loss or damage resulting from any reliance on the Information or use of it (including liability resulting from negligence or where the Group was aware of the possibility of such loss or damage arising) is excluded. This will not operate to limit or restrict the Group's liability for death or personal injury resulting from its negligence. Multicomp is the registered trademark of the Group. © Premier Farnell plc 2012.

