

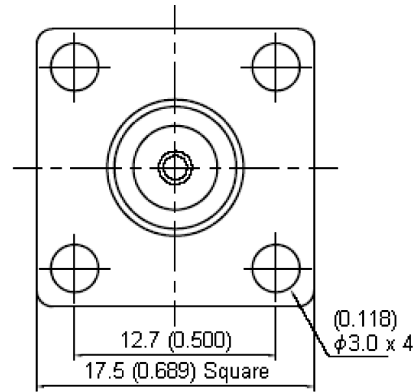
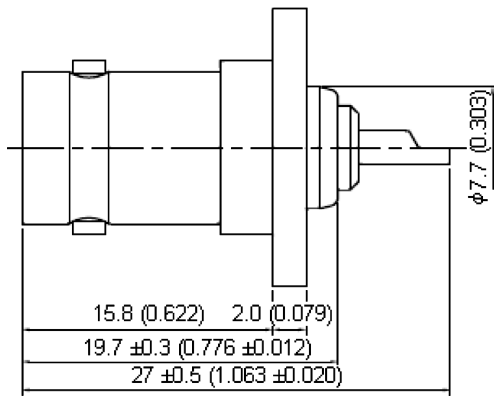
# Socket BNC, 50R



## Specifications:

Connector Type	: BNC Coaxial
Body Style	: Straight Jack
Coaxial Termination	: Solder
Impedance	: 50Ω
Contact Material	: Beryllium Copper
Contact Plating	: Silver
Frequency Max.	: 11GHz
Connector Mounting	: Panel
Contact Material	: Brass
Contact Resistance	: 1.5mΩ
DC Current Max.	: 1A
External Width	: 17.5mm
Fixing Centres	: 12.7mm
Fixing Hole Diameter	: 3.2mm
Material	: Brass with Silicone Gaskets
Mounting Type	: Panel
Operating Temperature	: -65°C to +165°C
Proof Voltage	: 2kV
VSWR	: 1.35
Working Voltage	: 500V
Bodies	: Brass per JIS-C3604
Centre Contact	: Beryllium copper per ASTM B196 UNS C17300
Insulation	: PTFE per ASTM D1457 and ASTM D1710
Square Flange	: Brass per JIS-C2680
Connector interface per MIL-STD-348A	
Part to be clean and free of burrs	

# Socket BNC, 50R



Dimensions : Millimetres (Inches)

Description	Material	Finish
Body	Brass	Silver 70μ" Min.
Insulation	PTFE	None
Centre Contact	Beryllium Copper	Silver 70μ" Min.
Insulation	PTFE	None
Square Flange	Brass	Silver 70μ" Min.

## Part Number Table

Description	Part Number
Socket, BNC, 50R	13-22-19 TSS 50R

**Important Notice** : This data sheet and its contents (the "Information") belong to the members of the Premier Farnell group of companies (the "Group") or are licensed to it. No licence is granted for the use of it other than for information purposes in connection with the products to which it relates. No licence of any intellectual property rights is granted. The Information is subject to change without notice and replaces all data sheets previously supplied. The Information supplied is believed to be accurate but the Group assumes no responsibility for its accuracy or completeness, any error in or omission from it or for any use made of it. Users of this data sheet should check for themselves the Information and the suitability of the products for their purpose and not make any assumptions based on information included or omitted. Liability for loss or damage resulting from any reliance on the Information or use of it (including liability resulting from negligence or where the Group was aware of the possibility of such loss or damage arising) is excluded. This will not operate to limit or restrict the Group's liability for death or personal injury resulting from its negligence. Multicomp is the registered trademark of the Group. © Premier Farnell plc 2012.