

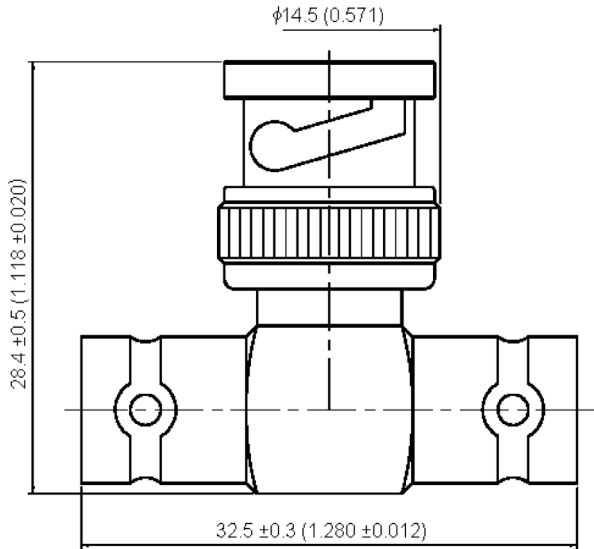
Socket BNC, T, Nickel



Specifications:

Connector Type	: Adapter
Body Style	: Tee Adapter, Plug-Jack-Jack
Convert From Connector	: BNC Coaxial
Convert From Gender	: Plug
Convert To Connector	: BNC Coaxial
Convert To Gender	: Jack / Jack
Frequency Max.	: 4GHz
Body Plating	: Nickel
Contact Material	: Brass
Contact Plating	: Gold
Impedance	: 50Ω
Bodies	: Brass per JIS-C3604
Centre Contact	: Brass per JIS-C3604
Connector interface per MIL-STD-348A	
Part to be clean and free of burrs	

Socket BNC, T, Nickel



Dimensions : Millimetres (Inches)

Description	Material	Finish
Body I	Brass	Nickel 100 μ " Min.
Centre Contact I		Gold
Shell	Zinc	Nickel 100 μ " Min.
Body II	Brass	
Insulation	POM	None
Gasket	Rubber	
Washer	Brass	Nickel 100 μ " Min.
Spring Washer	SK-5	
Washer	Brass	
Centre Contact II		Gold
Washer	POM	Nickel 100 μ " Min.
Insulation		None

Part Number Table

Description	Part Number
Adaptor, BNC, T, Nickel	BNC 'T' ADAPTOR NICKEL

Important Notice : This data sheet and its contents (the "Information") belong to the members of the Premier Farnell group of companies (the "Group") or are licensed to it. No licence is granted for the use of it other than for information purposes in connection with the products to which it relates. No licence of any intellectual property rights is granted. The Information is subject to change without notice and replaces all data sheets previously supplied. The Information supplied is believed to be accurate but the Group assumes no responsibility for its accuracy or completeness, any error in or omission from it or for any use made of it. Users of this data sheet should check for themselves the Information and the suitability of the products for their purpose and not make any assumptions based on information included or omitted. Liability for loss or damage resulting from any reliance on the Information or use of it (including liability resulting from negligence or where the Group was aware of the possibility of such loss or damage arising) is excluded. This will not operate to limit or restrict the Group's liability for death or personal injury resulting from its negligence. Multicomp is the registered trademark of the Group. © Premier Farnell plc 2012.