

# Tactile Switch

## Double Action



### Specifications:

Contact Configuration	: SPDT
Operating Force	: 2.55N
Actuation Type	: Top
Switch Terminals	: Surface Mount
Body Depth	: 6mm
External Depth	: 6.4mm
External Length / Height	: 1.5mm
Series	: MC2A
Switch Operation	: Double Action
Terminal Type	: SMD

### Mechanical:

Operating Force	: 1st: 100 ± 50gf 2nd: 260 ± 70gf / -50gf
Stroke	: 1st: 0.50 ± 0.10 / -0.20mm 2nd: 0.70 ± 0.10 / -0.30mm
Operating Temperature Range	: -25°C to +70°C
Storage Temperature	: -30°C to +80°C

### Electrical:

Electrical Life	: 30,000 cycles
Rating	: 50mA, 12V DC
Maximum Contact Resistance	: 100mΩ
Minimum Insulation Resistance	: 100MΩ at 100V DC
Dielectric Strength	: 250V AC/1 minute
Contact Arrangement	: 1 pole 2 throw

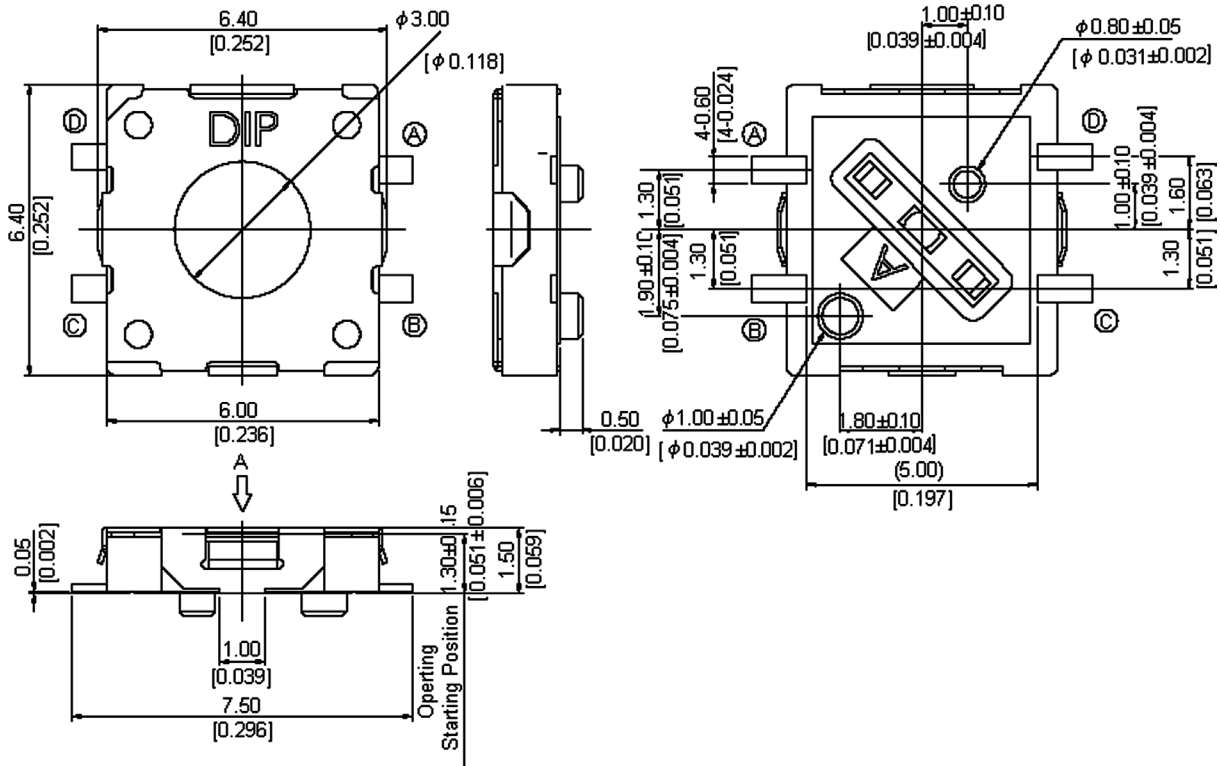
### Materials:

Cover	: Nickel silver
Base	: Nylon high-temperature thermoplastic Colour : Black
Dust cover	: PTFE
Colour	: White
Terminal	: Stainless with silver cladding
Stem	: Nylon high-temperature thermoplastic Colour : Black

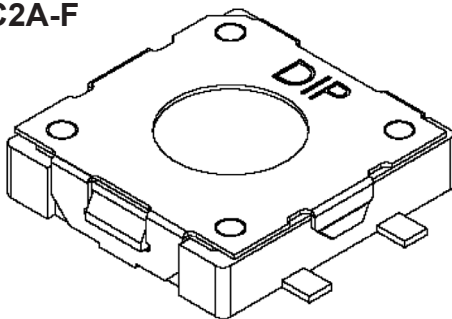
# Tactile Switch Double Action



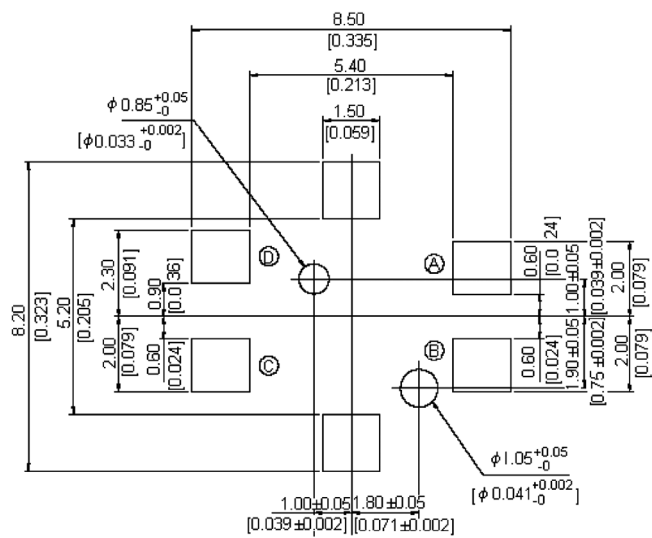
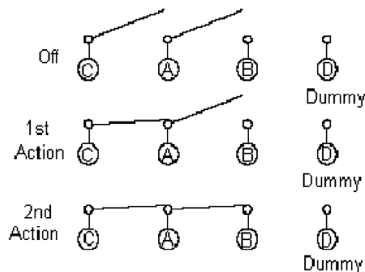
## MC2A-F



## MC2A-F



### Circuit



PCB Layout  
View from the Direction A

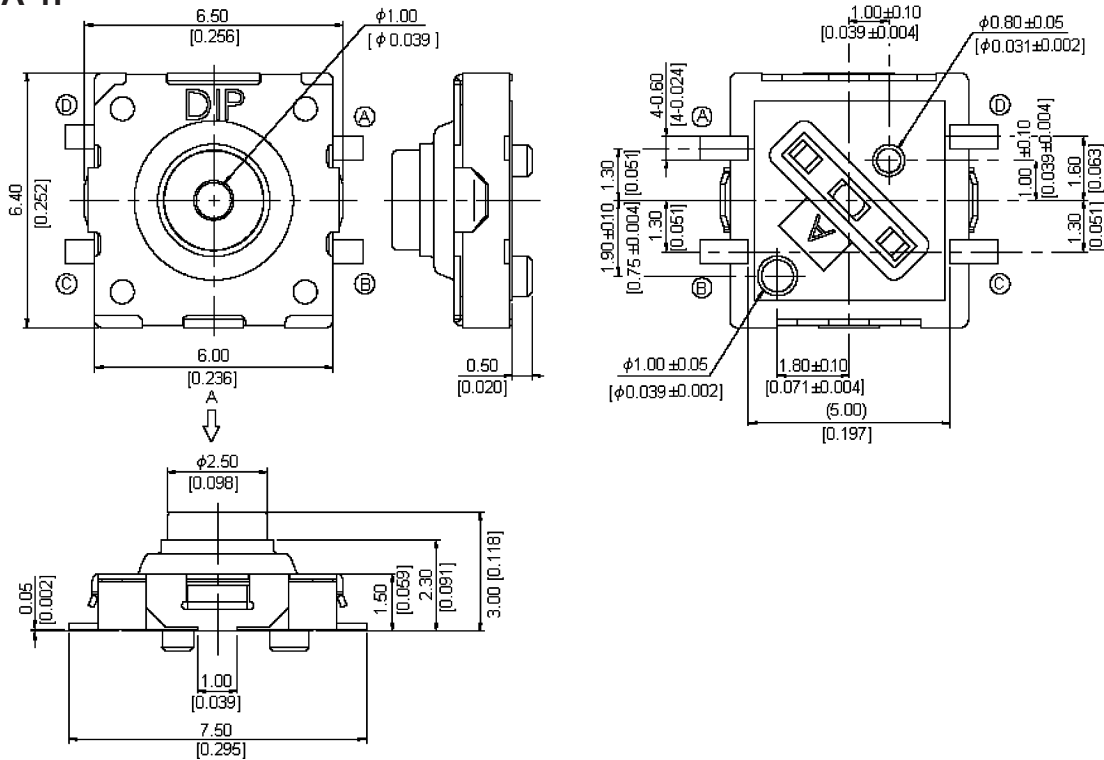
Dimensions : Millimetres (Inches)



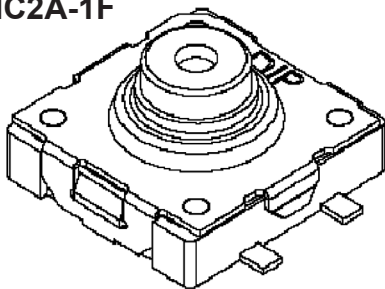
# Tactile Switch Double Action



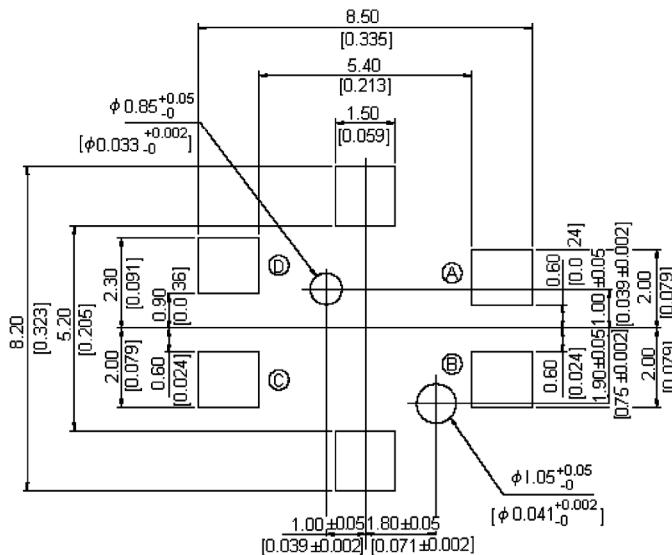
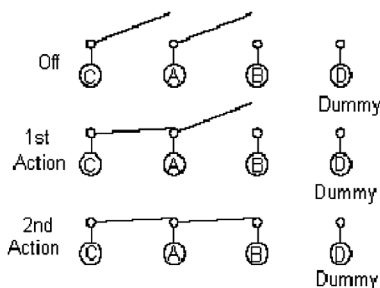
## MC2A-1F



## MC2A-1F



### Circuit



PCB Layout  
View from the Direction A

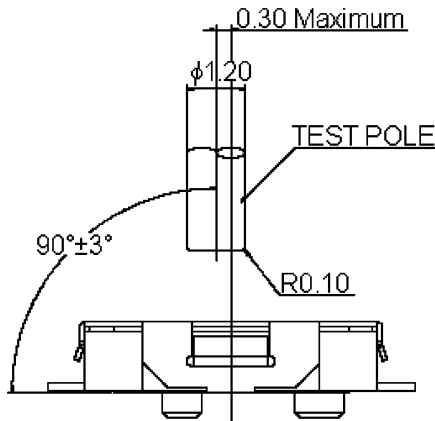
Dimensions : Millimetres (Inches)



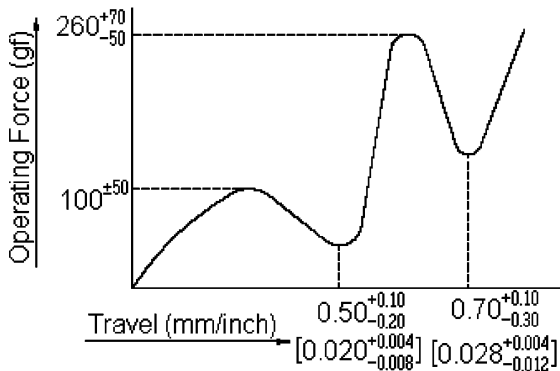
# Tactile Switch Double Action



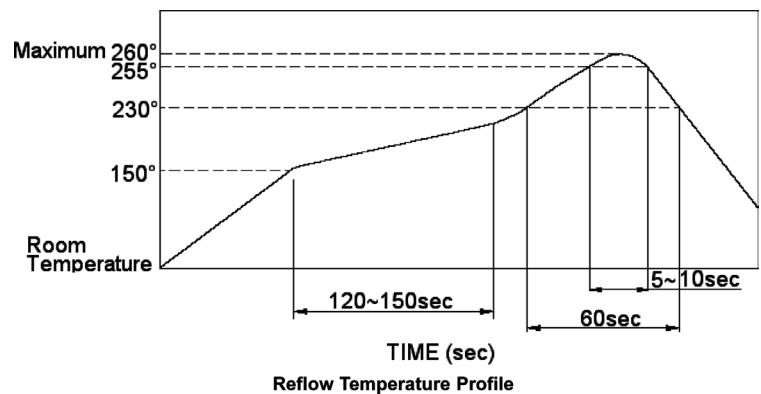
## Recommended Operating Conditions



### Operating Force - Travel Chart



Dimensions : Millimetres (Inches)



## Part Number Table

Description	Part Number
Switch, Tactile Double Action SMD	MC2A-F
	MC2A-1F

**Important Notice :** This data sheet and its contents (the "Information") belong to the members of the Premier Farnell group of companies (the "Group") or are licensed to it. No licence is granted for the use of it other than for information purposes in connection with the products to which it relates. No licence of any intellectual property rights is granted. The Information is subject to change without notice and replaces all data sheets previously supplied. The Information supplied is believed to be accurate but the Group assumes no responsibility for its accuracy or completeness, any error in or omission from it or for any use made of it. Users of this data sheet should check for themselves the Information and the suitability of the products for their purpose and not make any assumptions based on information included or omitted. Liability for loss or damage resulting from any reliance on the Information or use of it (including liability resulting from negligence or where the Group was aware of the possibility of such loss or damage arising) is excluded. This will not operate to limit or restrict the Group's liability for death or personal injury resulting from its negligence. Multicomp is the registered trademark of the Group. © Premier Farnell plc 2012.

www.element14.com  
www.farnell.com  
www.newark.com

