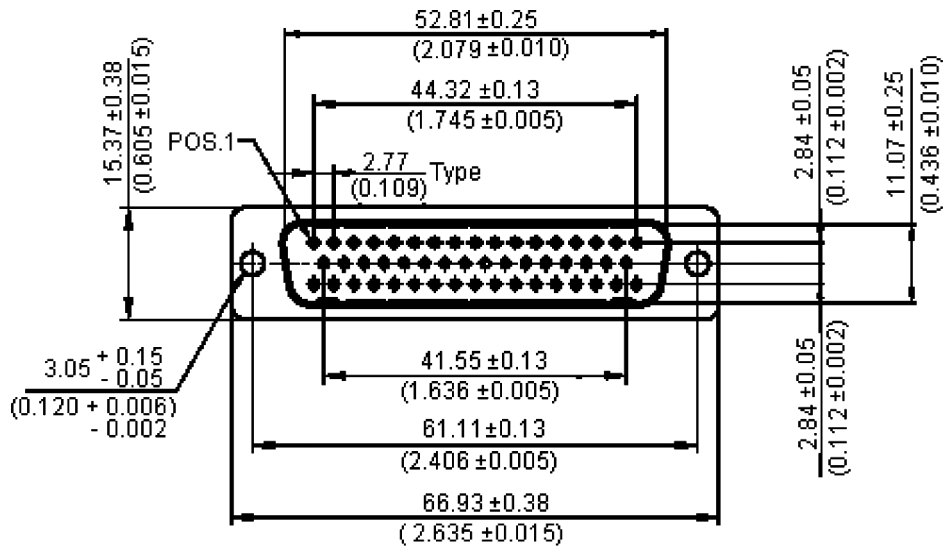


D-Sub Plug 50 Way



Specifications:

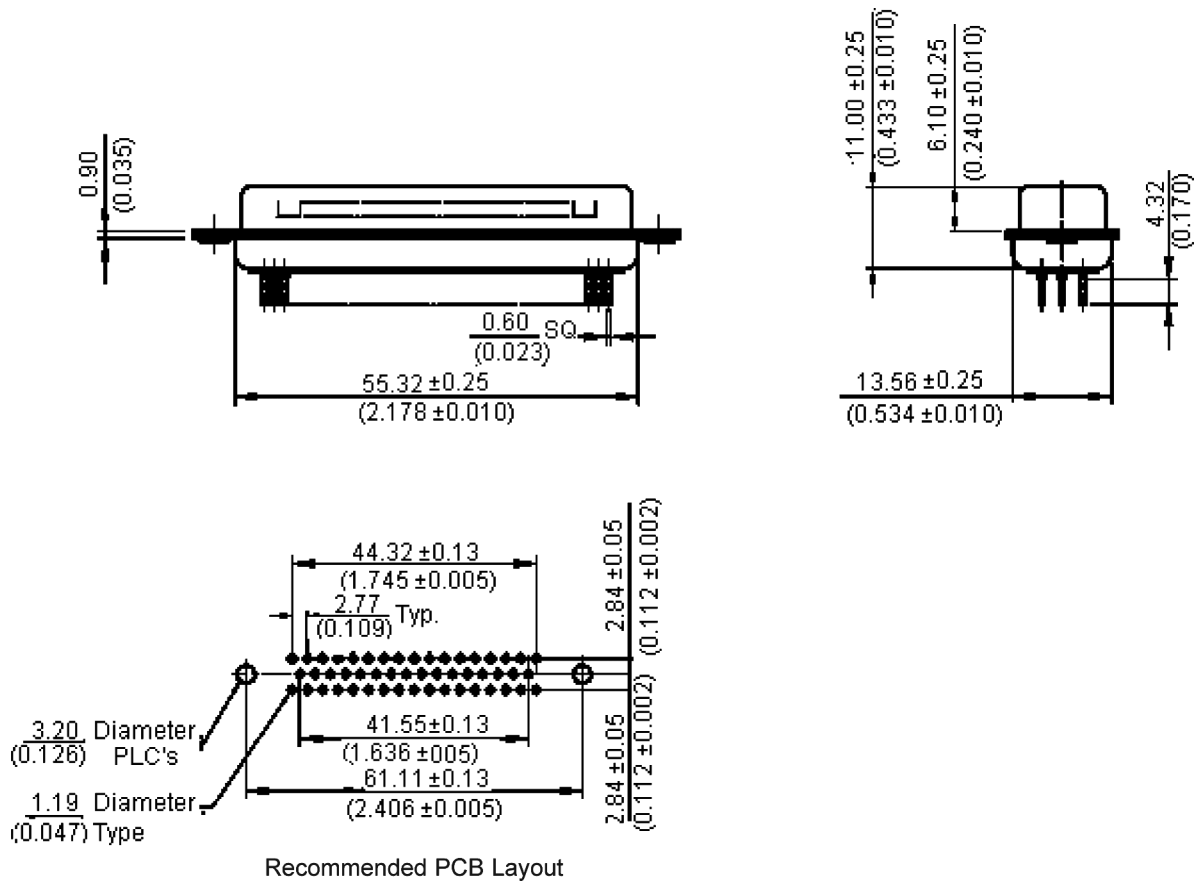
Connector Type	: D Sub
Series	: 8T0
No. of Contacts	: 50
Connector Body Material	: Metal
Gender	: Plug
Contact Termination	: Through Hole Vertical
Current Rating	: 3A
Minimum Insulation Resistance	: 5,000 MΩ at 500V DC
Minimum Dielectric With Standing Voltage	: 1,000V AC (for 1 minute)
Maximum Contact Resistance	: 15mΩ mated
Operating Temperature Max	: - 25°C to + 85°C
Insulator Material	: P.B.T. and glass-fibre reinforced
Contact Material	: Phosphor bronze, gold over nickel
Shell	: Steel, tin or nickel plated



Dimensions : Millimetres (Inches)



D-Sub Plug 50 Way



Dimensions : Millimetres (Inches)

Part Number Table

Description	Part Number
Plug, D-Sub, 50Way	8T0050PS-341S-XX

Important Notice : This data sheet and its contents (the "Information") belong to the members of the Premier Farnell group of companies (the "Group") or are licensed to it. No licence is granted for the use of it other than for information purposes in connection with the products to which it relates. No licence of any intellectual property rights is granted. The Information is subject to change without notice and replaces all data sheets previously supplied. The Information supplied is believed to be accurate but the Group assumes no responsibility for its accuracy or completeness, any error in or omission from it or for any use made of it. Users of this data sheet should check for themselves the Information and the suitability of the products for their purpose and not make any assumptions based on information included or omitted. Liability for loss or damage resulting from any reliance on the Information or use of it (including liability resulting from negligence or where the Group was aware of the possibility of such loss or damage arising) is excluded. This will not operate to limit or restrict the Group's liability for death or personal injury resulting from its negligence. Multicom is the registered trademark of the Group. © Premier Farnell plc 2012.

www.element14.com
www.farnell.com
www.newark.com

