

# Superbright LED Retrofit Bulb

## Dimmable



### Features:

- 11W LED lamp designed as high quality replacement of 85W halogen R30 lamp
- Dimmable 20-100%
- 25,000 hours rated life
- Suitable for indoor environments
- Available in 2,700K and 3,000K CCT with 80CRI
- Power factor 0.95
- Reduces energy consumption up to 80%
- Lasts 33 times longer than halogen lamps
- Mercury free
- UV and IR free
- UL File No. : E356190

### Specifications:

Lamp Base Type	: Edison Screw / E26
CCT	: 2,700K
LED Colour	: Warm White
Average Bulb Life	: 25,000h
Beam Angle	: 120°
Supply Voltage	: 120V
Power Rating	: 7W
Power Factor	: 0.95
Bulb Size	: 65mm
Typical Lumens (lm)	: 850
CRI	: 85

### Application Information

#### Where does it used

- Art galleries and museums
- Hospitality
- Residential
- Shopping Mall

#### Applications

- Accent / Display Lighting
- Recessed Downlighting
- Tracking lighting
- Landscape Lighting

#### Notes

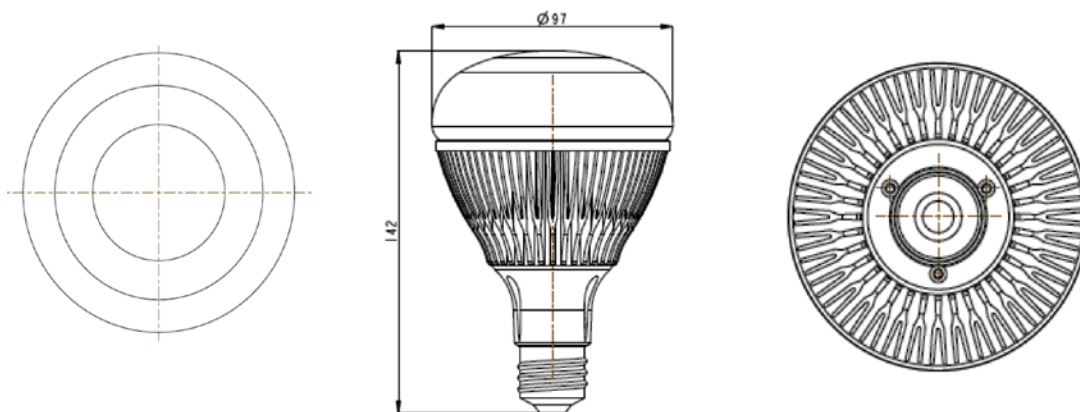
- Operating temperature range between -20°C and +35°C
- Suitable for dimmers or in luminaires controlled by a dimmer
- Not intended for use with emergency light fixtures
- Not for use where exposed to weather
- Not for use in totally enclosed and insulated fixtures

# Superbright LED Retrofit Bulb

## Dimmable



### Dimension



Size : Ø97 × 142mm

### Part Number Table

Description	Part Number
LED Lamp, E26, 120V, Warm White	R30-LED120V11WA-2700MCDIM

**Important Notice** : This data sheet and its contents (the "Information") belong to the members of the Premier Farnell group of companies (the "Group") or are licensed to it. No licence is granted for the use of it other than for information purposes in connection with the products to which it relates. No licence of any intellectual property rights is granted. The Information is subject to change without notice and replaces all data sheets previously supplied. The Information supplied is believed to be accurate but the Group assumes no responsibility for its accuracy or completeness, any error in or omission from it or for any use made of it. Users of this data sheet should check for themselves the Information and the suitability of the products for their purpose and not make any assumptions based on information included or omitted. Liability for loss or damage resulting from any reliance on the Information or use of it (including liability resulting from negligence or where the Group was aware of the possibility of such loss or damage arising) is excluded. This will not operate to limit or restrict the Group's liability for death or personal injury resulting from its negligence. Multicomp is the registered trademark of the Group. © Premier Farnell plc 2012.

[www.element14.com](http://www.element14.com)  
[www.farnell.com](http://www.farnell.com)  
[www.newark.com](http://www.newark.com)

