

FR 8 WP - 4 Ohm (white)



Saltwater resistant 8 cm (3.3") full-range speaker with moulded plastic cone, plastic basket and grille. Absolutely corrosion-resistant and waterproof due to encased magnet and silicon-coated leads. Clear-cut high-range output.

Typical applications:

- Outdoor PA systems
- Loudspeaker for solariums and damp locations
- Boats, ships and open vehicles

Attributes:

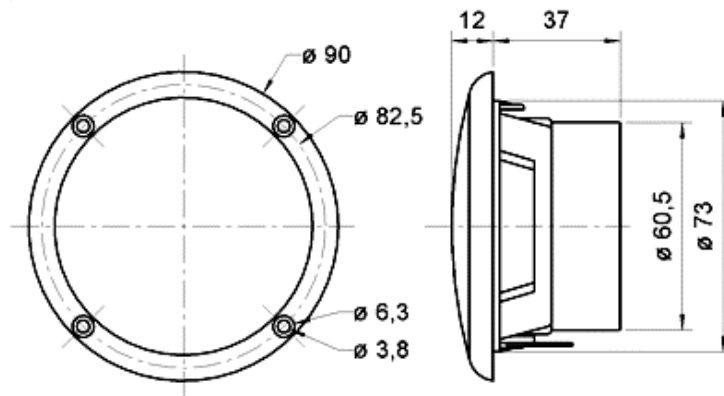
- seawater proof
- functionally at low temperature according to EN 60068-2-1 (-40 °C; 96 h)
- up to the standards of the Germanischer Lloyd (requirements for electrical equipment / low temperature)
- Plastic: ASA (UL 94:HB; UV-/weather-proof)
- ball-resistant

*) IP protection class for front side when built into a sealed enclosure

Technical Data

Rated power	15 W
Maximum power	25 W
Nominal impedance Z	4 Ohm
Frequency response	100–20000 Hz
Mean sound pressure level	84 dB (1 W/1 m)
Opening angle (-6 dB)	114°/4000 Hz
Excursion limit	+/-3 mm
Resonance frequency f_s	158 Hz
Magnetic induction	1 T
Magnetic flux	190 μ Wb
Height of front pole-plate	3 mm
Voice coil diameter	20 mm
Height of winding	4 mm
Cutout diameter	74 mm
Net weight	0,23 kg

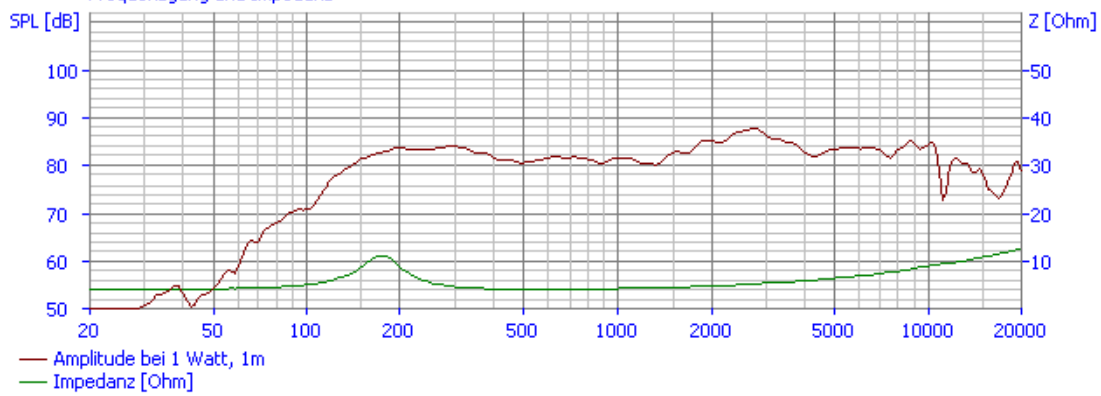
D.C. resistance Rdc	4,1 Ohm
Mechanical Q factor Qms	2,62
Electrical Q factor Qes	1,33
Total Q factor Qts	0,88
Equivalent volume Vas	0,4 l
Effective piston area Sd	30 cm ²
Dynamically moved mass Mms	2,9 g
Force factor Bxl	2,8 T m
Inductance of the voice coil L	0,3 mH
Connections	5,2 x 0,5 mm (+) 2,8 x 0,5 mm (-)
Protective system	IP 65 *)
Temperature range	-40 ... 80 °C
Colour	weiß / white



FR 8 WP
02.05.03

Visaton FR 8 WP

Frequenzgang und Impedanz



Directivity pattern

