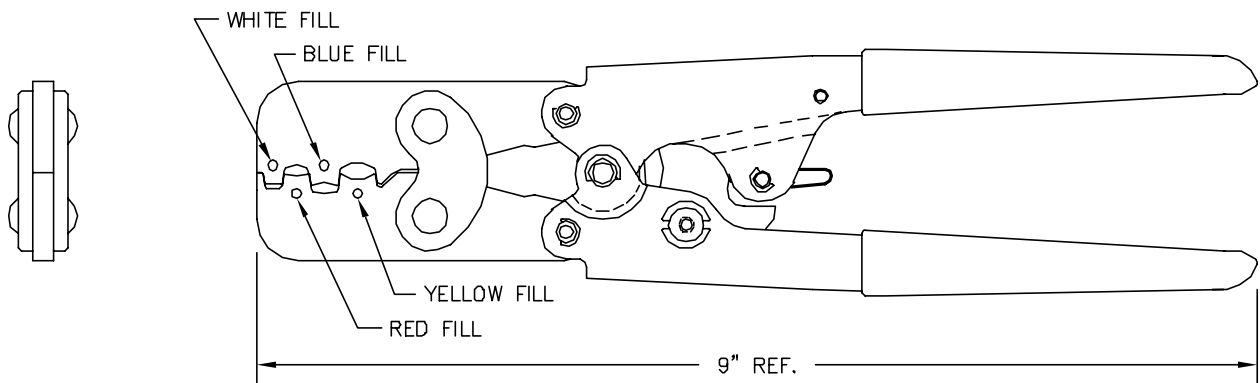


Heat Sealed Connector Crimp Tool



Features:

- Heat treated components
- Black oxide finish jaw assembly
- Sand blasted crimping area
- Black oxide finish handles
- Ratchet controlled release
- Ratchet set to release when a 60 to 70 lb
- Load is applied to handles approx. 1-3/4"
- From end of handles.
- Blue textured plastisol grips



Nest	No GO / GO
White	0.062/0.058
Red	0.094/0.089
Blue	0.107/0.129
Yellow	0.135/0.129

Dimensions : Inches

Part Number Table

Description	Part Number
Heat Sealed Connector Crimp Tool	SPC11946

Important Notice : This data sheet and its contents (the "Information") belong to the members of the Premier Farnell group of companies (the "Group") or are licensed to it. No licence is granted for the use of it other than for information purposes in connection with the products to which it relates. No licence of any intellectual property rights is granted. The Information is subject to change without notice and replaces all data sheets previously supplied. The Information supplied is believed to be accurate but the Group assumes no responsibility for its accuracy or completeness, any error in or omission from it or for any use made of it. Users of this data sheet should check for themselves the Information and the suitability of the products for their purpose and not make any assumptions based on information included or omitted. Liability for loss or damage resulting from any reliance on the Information or use of it (including liability resulting from negligence or where the Group was aware of the possibility of such loss or damage arising) is excluded. This will not operate to limit or restrict the Group's liability for death or personal injury resulting from its negligence. DURATOOL is the registered trademark of the Group. © Premier Farnell plc 2012.

