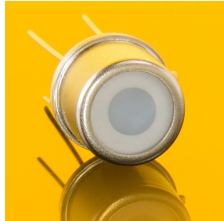


General Features



Properties of the TOCON_C5

- Pre-amplified SiC UVC detector in TO5 housing with diffuser
- 70 $\mu\text{W}/\text{cm}^2$ radiation at 254nm results a voltage of approx. 2 V
- RoHS compliant
- Applications: purification lamp control

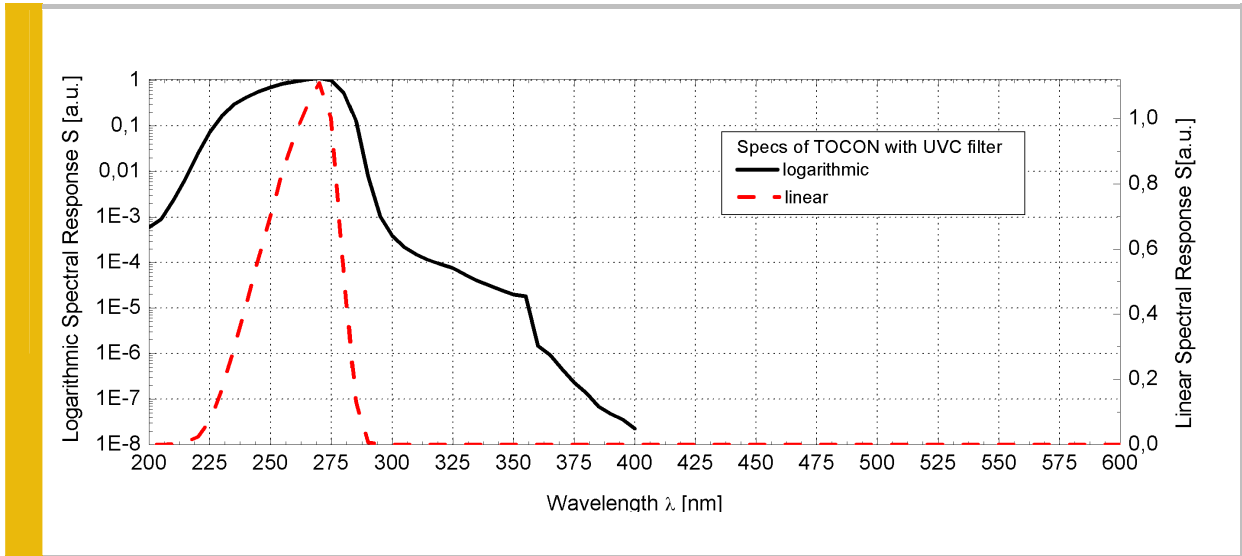
The TOCON pre-amplified UV photodetectors

The TOCON devices are using modern hybride technology to cancel unwanted signal disturbances caused by moisture or electromagnetic radiation. The stable 0...5V output voltage can be directly connected to a SPC controller or a voltage multimeter. No external amplifier is needed.

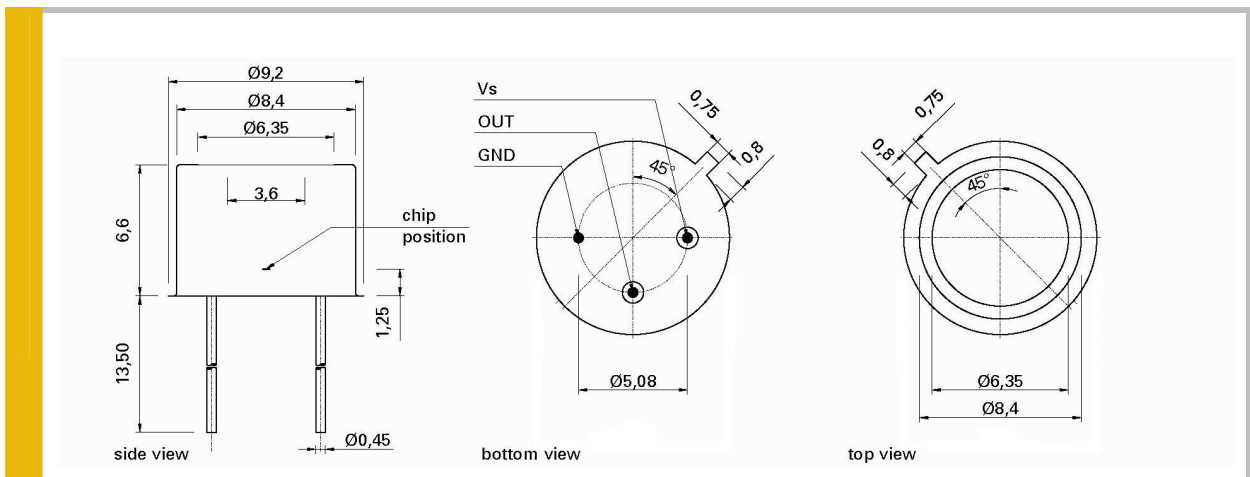
Specifications

Parameter	Symbol	Value	Unit
Maximum Ratings			
Operating Temperature Range	T_{opt}	-25 ... +85	$^{\circ}\text{C}$
Storage Temperature Range	T_{stor}	-40 ... +100	$^{\circ}\text{C}$
Soldering Temperature (5s)	T_{sold}	300	$^{\circ}\text{C}$
General Characteristics ($T=25^{\circ}\text{C}$, $V_{\text{supply}}=+5\text{ V}$)			
Supply voltage	V_{supply}	2,5 ... 5,0	V
Saturation voltage	V_{sat}	V_{supply}	V
Dark offset voltage	V_{offset}	0,05	mV
Temperature coefficient	T_C	<+0,3	%/K
Current consumption	I	0,8	mA
Bandwidth (-3 dB)	Θ	15	Hz
Risetime (63%) (other risetimes on demand)	t_{rise}	10	ms
Spectral Characteristics ($T=25^{\circ}\text{C}$, $V_{\text{supply}}=+5\text{ V}$)			
Sensitivity at 254nm	S_{max}	28	$\text{mV}/\mu\text{W}/\text{cm}^2$
Wavelength of max. spectral sens.	λ_{max}	270	nm
Sensitivity range ($S=0,1 \cdot S_{\text{max}}$)	-	230 ... 285	nm
Visible blindness ($S_{\text{max}} / S_{>405\text{nm}}$)	VB	$>10^{10}$	-

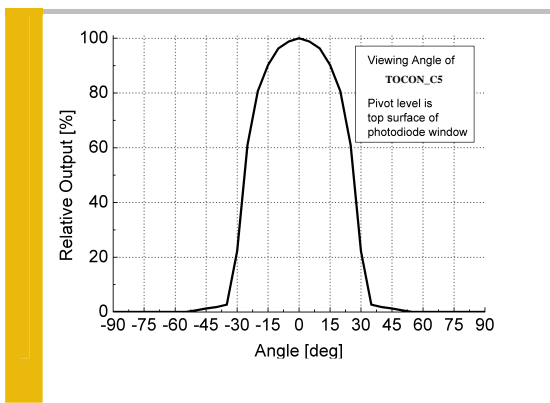
Spectral Response



Drawing



Field of View



TOCON Product Portfolio

Selection of TOCONs with UVC sensitivity:

Option	Approx. min irradiance	Approx. max irradiance (V _{supply} = 5 V)
TOCON_C2	18 pW/cm ²	180 nW/cm ²
TOCON_C3	180 pW/cm ²	1,8 μW/cm ²
TOCON_C4	1,8 nW/cm ²	18 μW/cm ²
TOCON_C5	18 nW/cm²	180 μW/cm² <i>this device</i>
TOCON_C6	180 nW/cm ²	1,8 mW/cm ²
TOCON_C7	1,8 μW/cm ²	18 mW/cm ²
TOCON_C8	18 μW/cm ²	180 mW/cm ²
TOCON_C9	180 μW/cm ²	1,8 W/cm ²

TOCONs are also available with other spectral sensitivity (UVA, UVB, UV-Index, UV broadband).

Upgrades

TOCON housings for easy mounting of the TOCON_C5

TOCON_housing



Advantages of the TOCON_housing

- Easy to mount and connect
- Robust stainless steel M12x1 thread body, length 32 mm
- Integrated sensor connector (Binder 5-Pin plug)
- Comes with 2 m connector cable

TOCON_PTFE_housing



Advantages of the TOCON_PTFE_housing

- Easy to mount and connect, cleanable
- Dirt-repellant, water proof at wetside (IP 68)
- Teflon (PTFE) M12x1 thread body, length 31 mm
- Wide field of view
- Integrated sensor connector (Binder 5-Pin plug)
- Comes with 2 m connector cable

The PTFE housing reduces the signal output by 95 %.

Sensor Monitor 5.0 for monitoring, datalogging and process control with TOCON_C5



The **Sensor Monitor 5.0** series are measurement and control modules for monitoring and automation of irradiation processes. They display radiation, dose and state information.

A selection of devices with one or two channels, optional USB & RS232 data output and computer software is offered.