

10 9 8 7 6 5 4 3 2 1

F

E

D

C

B

A

F

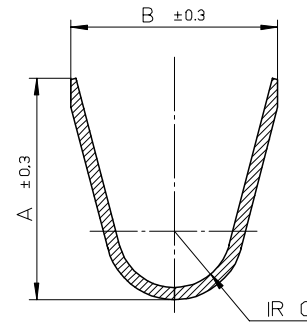
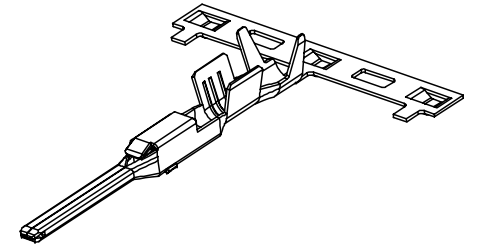
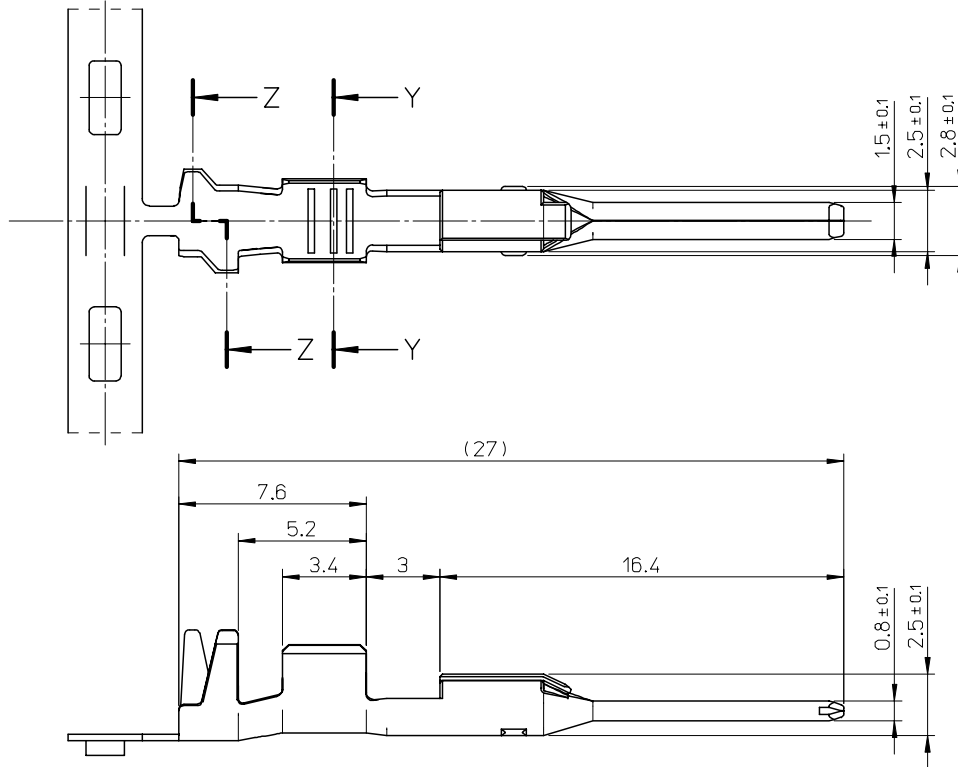
E

D

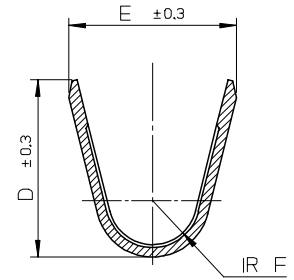
C

B

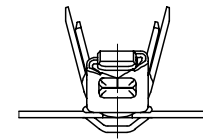
A



SECTION Z-Z  
Scale 10:1



SECTION Y-Y  
Scale 10:1



0.6	2.9	2.5	1	3.9	3.8	AVSS 0.85	501828-0101	CHAIN
0.9	3.4	3.6	1.15	4.2	4.5	AVSS 1.25~2.0	501828-0111	CHAIN
F	E	D	C	B	A	WIRE RANGE	MATERIAL NO.	FORM

注記  
NOTES

1. 材料：黄銅、錫めっき材 (t=0.25)  
MATERIAL : PRE-TIN BRASS (t=0.25)
2. 適合ハウジング：501820-3209  
APPLICABLE HOUSING : 501820-3209

RELEASED EC NO: J2006-2342 DRW:HKOMATSU 2006/01/25 CHKD:TAITO 2006/01/25 APPR:AKANESHIGE 2006/01/27	GENERAL TOLERANCES (UNLESS SPECIFIED)		DIMENSION STYLE MM ONLY		SCALE 5:1	DESIGN UNITS METRIC	THIRD ANGLE PROJECTION	
	10 UNDER	±0.2	DRAWN BY HKOMATSU		DATE 2005/9/8		TITLE CMC W/W CONN. MALE TERMINAL 1.5 -LEAD FREE-	
	10 OVER 30 UNDER	±0.25	CHECKED BY TAITO		DATE 2005/9/9		MOLEX INCORPORATED	
	30 OVER	±0.3	APPROVED BY AKANESHIGE		DATE 2005/9/9		DOCUMENT NO. SD-501828-001	
0	DESCRIPTION	ANGULAR	±1 °	MATERIAL NO.		SEE CHART		SHEET NO. 1 OF 1
DRAFT WHERE APPLICABLE MUST REMAIN WITHIN DIMENSIONS		SIZE A3		THIS DRAWING CONTAINS INFORMATION THAT IS PROPRIETARY TO MOLEX INCORPORATED AND SHOULD NOT BE USED WITHOUT WRITTEN PERMISSION				