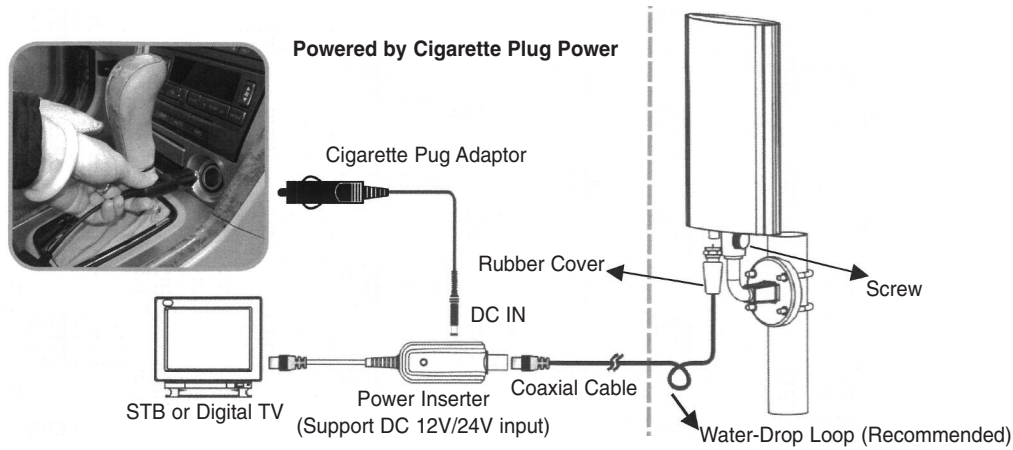


Option 3: Powering the Antenna with a Cigarette Plug Adaptor & Power Inserter



- Step 1:** Take out the DTV-1000 main unit.
- Step 2:** Follow the appropriate steps for pole or suction cup base mounting.
- Step 3:** Loosen the screw at the bottom of the main unit, and attach to fixing base.
- Step 4:** A rubber cover is included in the package (on the coaxial cable) for outdoor installation. If you use a longer coaxial cable for outdoor installation, please attach the rubber cover to the cable.
- Step 5:** Take the coaxial cable, and connect the cable to the antenna (DTV-1000 main unit).
- Step 6:** Place the rubber cover over the connection of cable and antenna.
- Step 7:** Take the other end of the coaxial cable, and connect it to the power inserter.
- Step 8:** Connect the end of the power inserter to your Set-Top-Box (or TV set).
- Step 9:** Connect the Cigarette Plug Power to the DC IN of the power inserter. (A LED on the inserter will light up).
- Step 10:** Turn on the power of STB and TV.
- Step 11:** Adjust the orientation of the DTV-1000 main unit to get the best signal reception.

Please note: All the connections should be tight.
It is recommended that you should have a water-drop loop at the end of the cable.

NOTES

For the best reception, please check the following conditions.

1. Keep away from the source of interference, please check the following conditions.
2. Install as high as possible, if there is any interruption between antenna and transmission tower, it will cause signal loss.
3. Place the antenna near windows for indoor use, unless the windows have a metal based sun protection screen.
4. For outdoor application you may need a longer coaxial cable than the one supplied.
5. It is recommended that you hire a certified antenna installer, when using the antenna outdoors.
6. When using the power adaptor for antenna powering, please turn off the coaxial cable powering function from your STB (or TV).
6. When using the coaxial cable powering function from your STB (or TV), please disconnect the power adaptor and power inserter.

TROUBLE SHOOTING

1. If you can not get the digital programs you expect, please check the following:
 - a. Check the connections, make sure all the connections are correct.
 - b. Check the antenna powering (coaxial cable powering) function of your STB. DTV-1000 is an active antenna. You will need to enable the antenna powering function. (Please check your STB's manual for operation.)
2. Adjust the direction of antenna to find the best reception angle.
3. Adjust the antenna from vertical position to horizontal position, and try different directions.



DTV-1000 Digi Pro

Complete Digital Antenna Package for Truck/Car/RV/Caravan or Home



Thank you for purchasing this Moonraker DTV-1000 Digital Outdoor/Indoor Antenna. Before installation, please read this manual carefully and keep it for future reference.

INTRODUCTION

The Moonraker DTV-1000 is specially designed for digital terrestrial broadcasting reception. The benefits of the Moonraker DTV-1000 are ease of installation, compact size and light weight. With state of the art low noise amplifier technology and circuitry, it will provide the best reception.

With Anti-UV housing and water-proof sealing, the Moonraker DTV-1000 digital antenna can also be installed in an outdoor environment. These specially designed installation and powering kits give the user an easy way to add digital TV reception to a truck, car, RV, etc. using either pole fixing kit, or the suction cup antenna mount on any smooth surface.

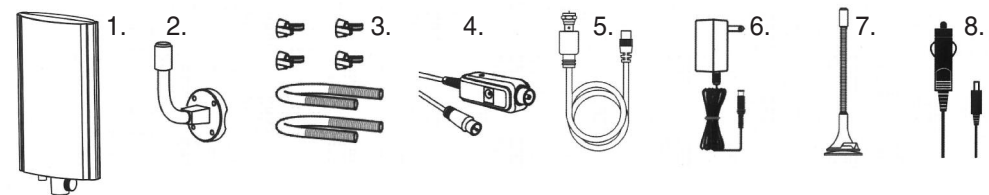
Features

- Water-proof and Anti-UV housing.
- Outdoor or Indoor use for Truck, Car, RV, Caravan or Home.
- Suction cup for installation on any smooth surface, such as windscreen, etc.
- Pole mounted installation for home/caravan use.
- Support Car and RV Digital TV installation.
- Support DC 12V/24V car powering with power inserter and cigarette plug power adaptor.
- Light-weight, compact and stylish design.
- UHF 470~870MHz.
- VHF 47~230MHz.
- Gain 20±3dB.
- Low noise amplifier technology.

PACKAGE CONTENTS

Please check the contents before installation

1. DTV-1000 Digi Pro main unit.
2. Flexible Fixing Base (for pole mounting).
3. Pole Mounting Kit (U type screws x 2, wing nuts x 4).
4. Power Inserter (Input: DC 12V/24V; Output: DC 5V).
5. Coaxial Cable (F male to IEC Female) x 1.
6. Power Adaptor.
7. Flexible Fixing Base (with suction cup).
8. Cigarette Plug Power Adaptor.
9. Operation Manual.

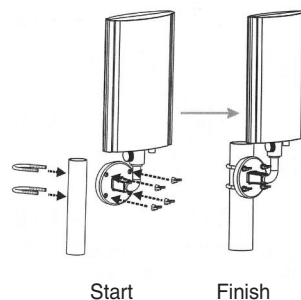


INSTALLATION

Antenna Placement

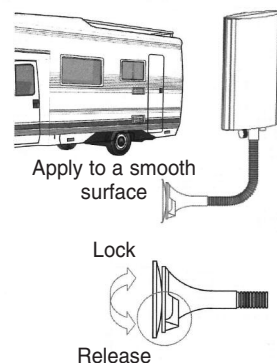
1. POLE MOUNTED APPLICATION

- Step 1:** Prepare an antenna pole (mast).
- Step 2:** Take the pole mounting kits.
- Step 3:** Hook 2 U type screws on the pole.
- Step 4:** Take the fixing base through the screws.
- Step 5:** Screw the 4 wing nuts in place.
- Step 6:** Fix the main unit on the multi-directional base.
Before the antenna is fixed on the base, please perform the antenna connection step below.
- Step 7:** Adjust the angle of the multi-directional base to get a better signal reception.



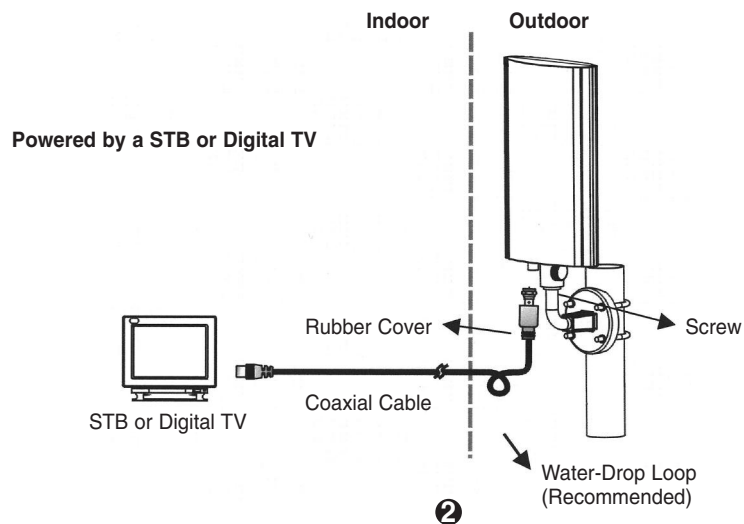
2. SMOOTH SURFACE APPLICATION

- Step 1:** Clean the surface where the antenna fixing base will be installed.
- Step 2:** Take the fixing base (with suction cup).
- Step 3:** Peel off the protective film from the suction cup.
- Step 4:** Apply the fixing base to a clean surface and lock it.
- Step 5:** Fix the main unit on the multi-directional base.
Before the antenna is fixed on the base, please perform the antenna connection step below.
- Step 6:** Adjust the angle of the multi-directional base to get a better signal reception.



Antenna Connection

Option 1: Powering the Antenna with a STB (Set-Top-Box) or Digital TV. (DC 5V coaxial cable antenna powering function required.)

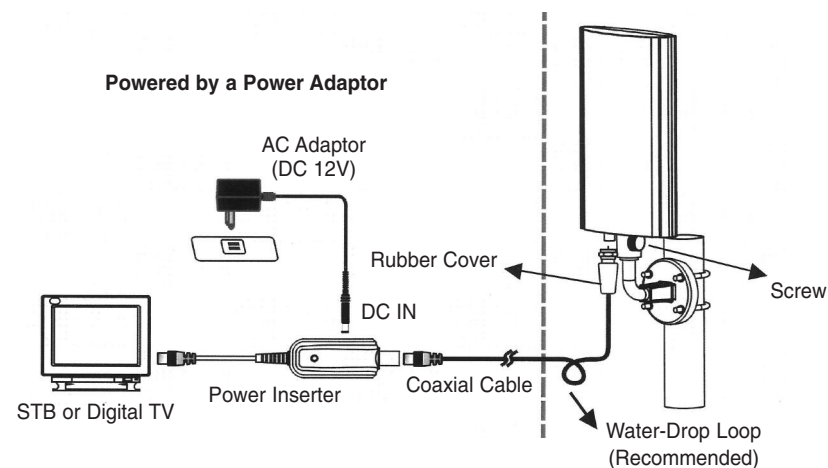


- Step 1:** Take out the DTV-1000 main unit.
- Step 2:** Follow the appropriate steps for pole or suction cup base mounting.
- Step 3:** Loosen the screw at the bottom of the main unit, and attach to fixing base.
- Step 4:** A rubber cover is included in the package (on the coaxial cable) for outdoor installation. If you use a longer coaxial cable for outdoor installation, please attach the rubber cover to the cable.
- Step 5:** Take the coaxial cable, and connect the cable to the antenna (DTV-1000 main unit).
- Step 6:** Place the rubber cover over the connection of cable and antenna.
- Step 7:** Connect the other end of the cable to your Set-Top-Box (or TV Set).
- Step 8:** Turn on the power of STB and TV.
- Step 9:** Adjust the orientation of the DTV-1000 main unit to get the best signal reception.

Please note: All the connections should be tight.

It is recommended that you should have a water-drop loop at the end of the cable.

Option 2: Powering the Antenna with a power adaptor and power inserter.



- Step 1:** Take out the DTV-1000 main unit.
- Step 2:** Follow the appropriate steps for pole or suction cup base mounting.
- Step 3:** Loosen the screw at the bottom of the main unit, and attach to fixing base.
- Step 4:** A rubber cover is included in the package (on the coaxial cable) for outdoor installation. If you use a longer coaxial cable for outdoor installation, please attach the rubber cover to the cable.
- Step 5:** Take the coaxial cable, and connect the cable to the antenna (DTV-1000 main unit).
- Step 6:** Place the rubber cover over the connection of cable and antenna.
- Step 7:** Take the other end of the coaxial cable, and connect it to the power inserter.
- Step 8:** Connect the end of the power inserter to your Set-Top-Box (or TV set).
- Step 9:** Connect the power adaptor to the DC IN of the power inserter. (A LED on the inserter will light up.)
- Step 10:** Turn on the power of STB and TV.
- Step 11:** Adjust the orientation of the DTV-1000 main unit to get the best signal reception.

Please note: All the connections should be tight.

It is recommended that you should have a water-drop loop at the end of the cable.