

RV 40-18/12 H

DC centrifugal compact fan

single inlet



ebm-papst St. Georgen GmbH & Co. KG

Hermann-Papst-Straße 1

D-78112 St. Georgen

Phone +49 7724 81-0

Fax +49 7724 81-1309

info2@de.ebmpapst.com

www.ebmpapst.com

Nominal data

| Type | RV 40-18/12 H | |
|--------------------------|-------------------|---------|
| Nominal voltage | VDC | 12 |
| Nominal voltage range | VDC | 9 .. 16 |
| Speed | min ⁻¹ | 4800 |
| Power input | W | 4.5 |
| Min. ambient temperature | °C | -20 |
| Max. ambient temperature | °C | 70 |
| Air flow | m ³ /h | 24 |
| Sound power level | dB(A) | 5.0 |

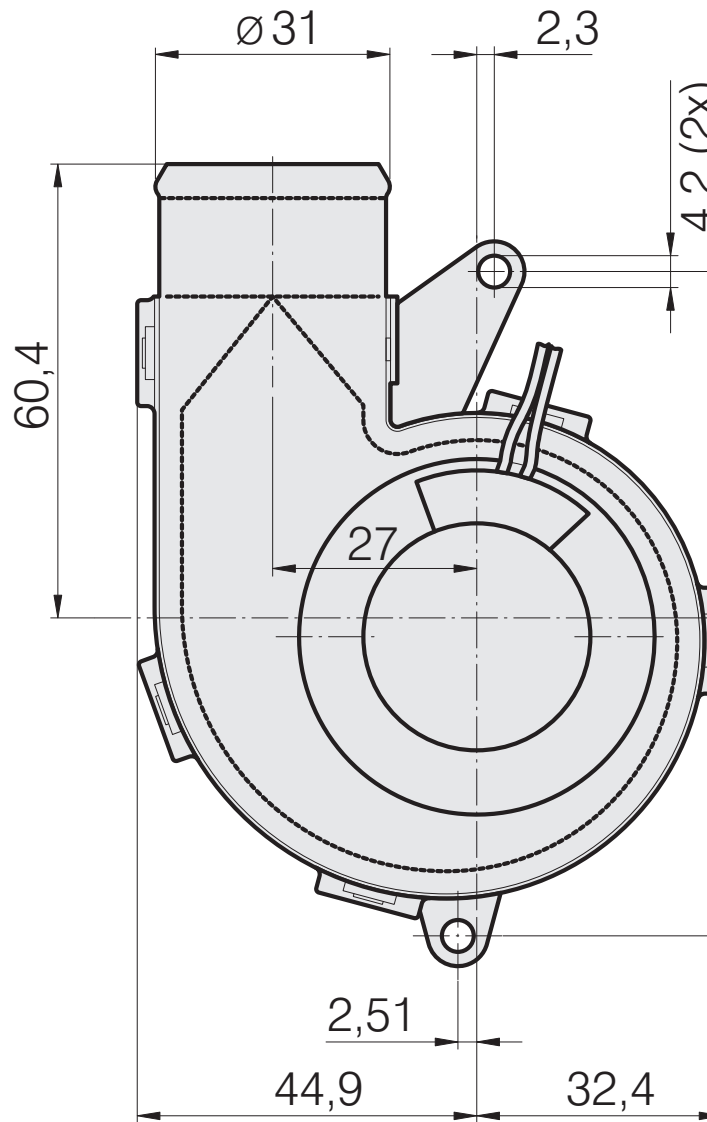
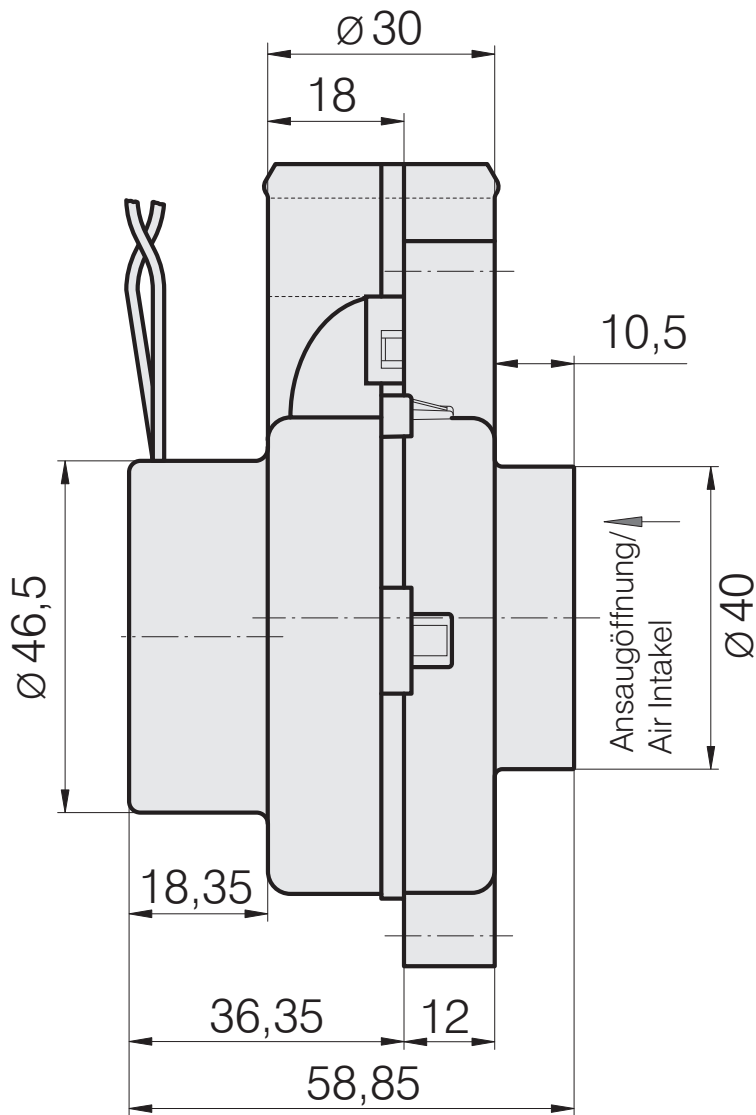
mi = max. load · me = max. efficiency · rfa = running at free air · cs = customer specs · cu = customer unit
Subject to alterations



Technical features

| | |
|--|---|
| Dimensions | 105 x 59 x 79 mm |
| General description | <p>Particular design features: Pressure-optimised blower. Motor has very low structure-borne noise. Forward-curved impeller.</p> <p>General features: Scroll housing and impeller made of fibreglass-reinforced plastic. Electronic commutation completely integrated. Protected against reverse polarity and locking. Direction of air flow: axial air intake, centrifugal air exhaust out of the outlet. Connection via single strands AWG 26, TR 64, bared and tin-plated. Mass: 100 g.</p> |
| Connection line | Single strands AWG 26, TR 64, bared and tin-plated. |
| Locked-rotor protection | Electronic blocking protection |
| Direction of air flow | Axial air intake, centrifugal air exhaust out of the outlet. |
| Bearing | Ball bearings |
| Lifetime L10 at 40 °C | 50000 h |
| Lifetime L10 at maximum temperature | 25000 h |
| Mass | 0.100 kg |
| Housing material | Scroll housing of fibreglass-reinforced plastic. |
| Material of impeller | Fibreglass-reinforced plastic |
| Motor protection | Protected against reverse polarity and locking. |
| Approval | VDE, CSA, UL, CE |

Product drawing



Charts: Air flow

