

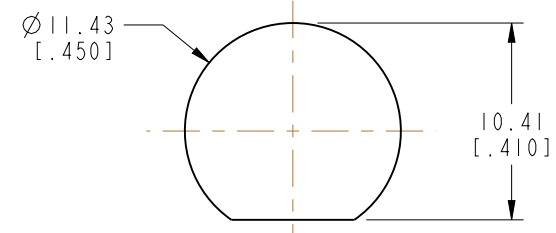
NOTES:

- MATERIALS OF CONSTRUCTION:
 CAP - BRASS, GOLD PLATED OVER NICKEL
 BODY & HEX HUT - BRASS, GOLD PLATED OVER PHOSPHORUS CONTENT ELECTROLESS NICKEL
 CONTACT - BeCu, GOLD PLATED OVER PHOSPHORUS CONTENT ELECTROLESS NICKEL
 RETAINING RING & LOCKWASHER - BRASS, NICKEL PLATED
 INSULATORS - PTFE
 GASKET - SILICONE RUBBER
- ELECTRICAL:
 A. IMPEDANCE: 50 OHM
 B. FREQUENCY RANGE: DC TO 3GHz
 C. VSWR: 1.20 MAX TO 3.0 GHz
- MECHANICAL:
 A. TEMPERATURE RANGE: -65° C TO +165° C
 B. SEALING REQUIREMENTS: DESIGN WHEN MOUNTED ON PANEL MUST WITHSTAND WATER PRESSURE AT DEPTH OF 1 METER FOR 30 MIN. WITHOUT ANY SIGN OF LEAKAGE
- PACKAGING:
 A. QUANTITY: SINGLE PACK
 B. MARKING: BAG TO BE MARKED "AMPHENOLRF, 31-6527, AND DATE CODE"
- FLANGE WILL NOT BOTTOM ON PANNEL IN ALL CONDITIONS

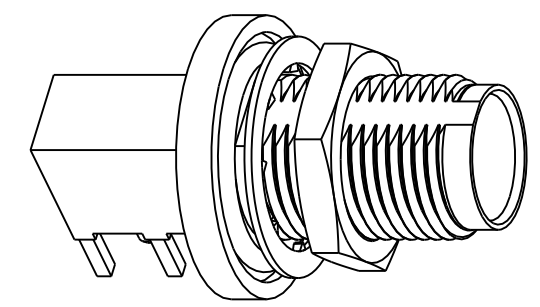
THIRD ANGLE PROJ.

REVISIONS

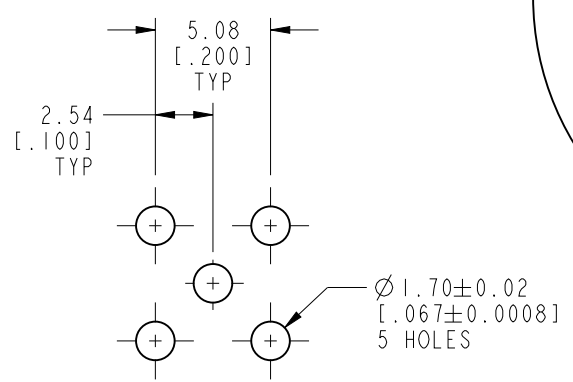
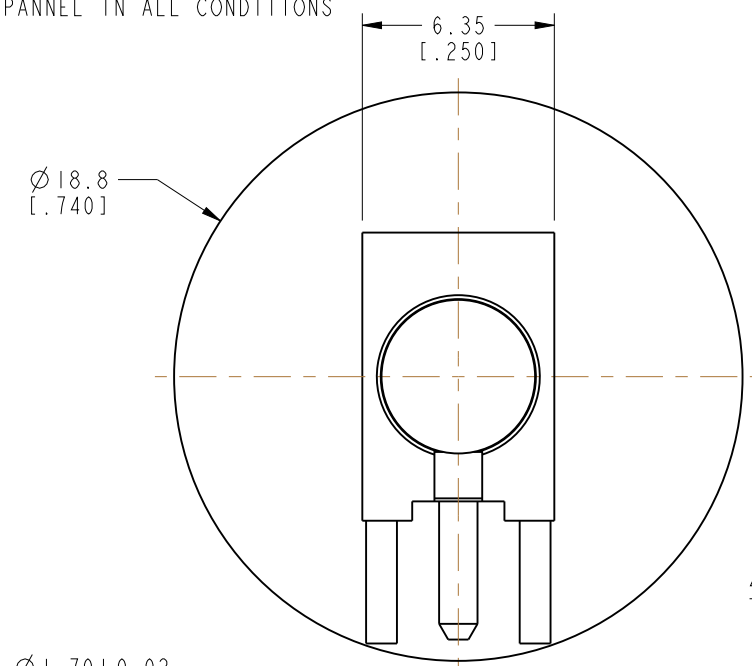
| REV | DESCRIPTION | DATE | ECO | APPR |
|-----|-----------------|-----------|-------|------|
| A | RELEASE TO MFG. | 29-Mar-12 | 48962 | DD |



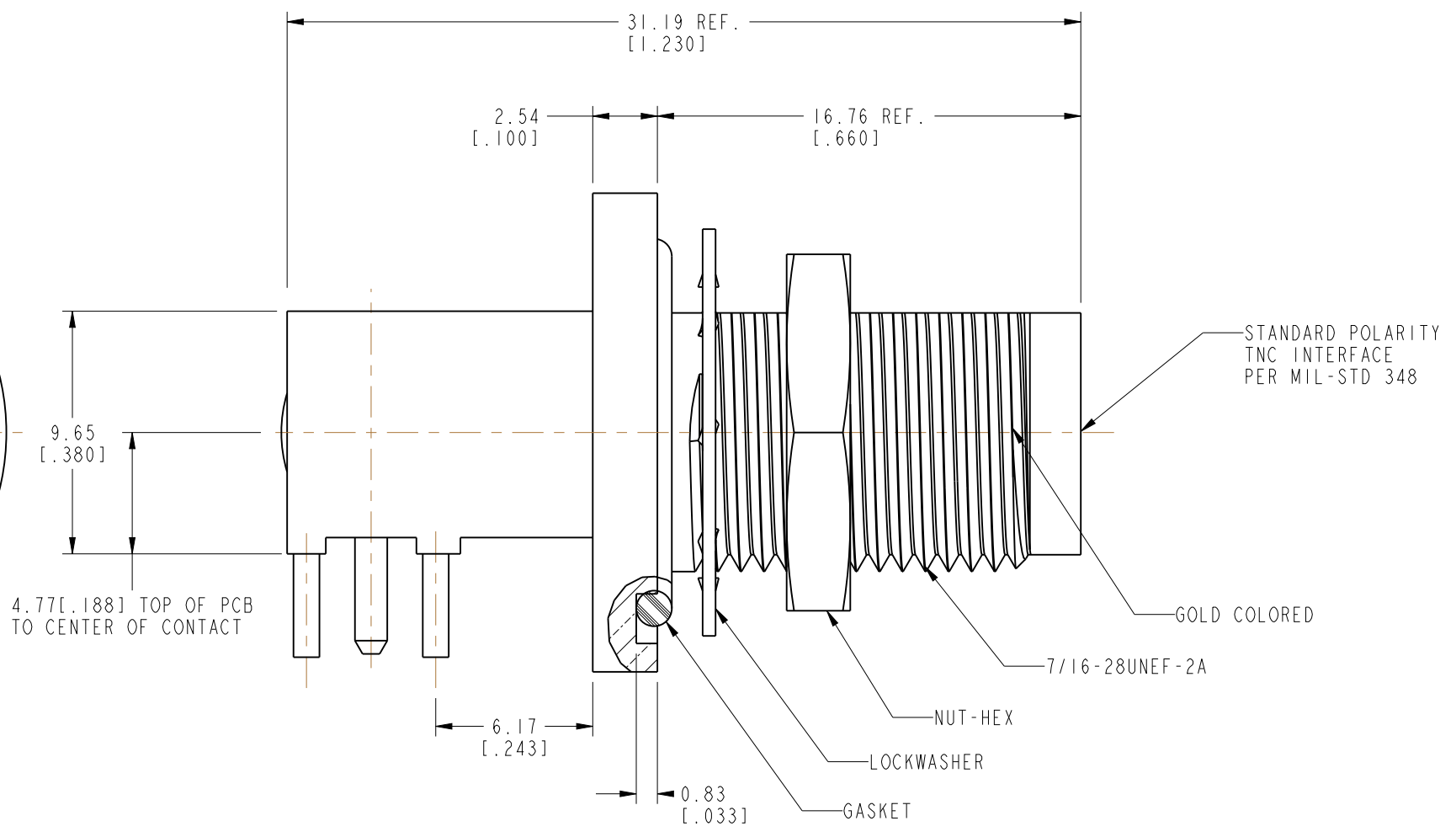
**RECOMMENDED MOUNTING
 PANEL DIMENSIONS**



SCALE 2.000



**RECOMMENDED MOUNTING
 HOLE DIMENSIONS
 SCALE 3.000**



CUSTOMER OUTLINE DRAWING
 ALL OTHER SHEETS ARE FOR INTERNAL USE ONLY

| | | | | | |
|---|------------------------------|--------------------|-------------------|---|-----------------------------------|
| UNLESS OTHERWISE SPECIFIED, DIMENSIONS ARE IN METRIC AND TOLERANCES ARE: <0.5mm ± 0.05mm 0.5 - 6mm ± 0.1mm 6 - 30mm ± 0.2mm 30 - 120mm ± 0.3mm ANGLES ± 1° | MATERIAL SEE NOTES | DRAWN D.DAVE | DATE 30-Jan-12 | TITLE TNC JACK (IP67) R/A BULKHEAD PCB MOUNT | Amphenol RF www.amphenolrf.com |
| | REFERENCE EAR # 4007 | ENGINEER D.DAVE | DATE 30-Jan-12 | | |
| | CONFIGURATION LEVEL: In Work | APPROVED | DATE | SCALE: 5.0:1.0 SHEET 2 OF 2 | ITEM NO. 31-6527 |
| | FINISH | CAD FILE | DWG SIZE B | REV A | PART NO. 31-6527 |

NOTICE - These drawings, specifications, or other data (1) are, and remain the property of Amphenol corp. (2) must be returned upon request; and (3) are confidential and not to be disclosed to any person other than those to whom they are given by Amphenol Corp. the finishing of these drawings, specifications, or other data by Amphenol Corp., or to any other person to anyone for any purpose is not to be regarded by implication or otherwise in any manner licensing, granting rights to permitting such holder or any other sperson to manufacture, use or sell any product, process or design, patented or otherwise, that may in any way be related to or disclosed by said drawings, specifications, or other data.