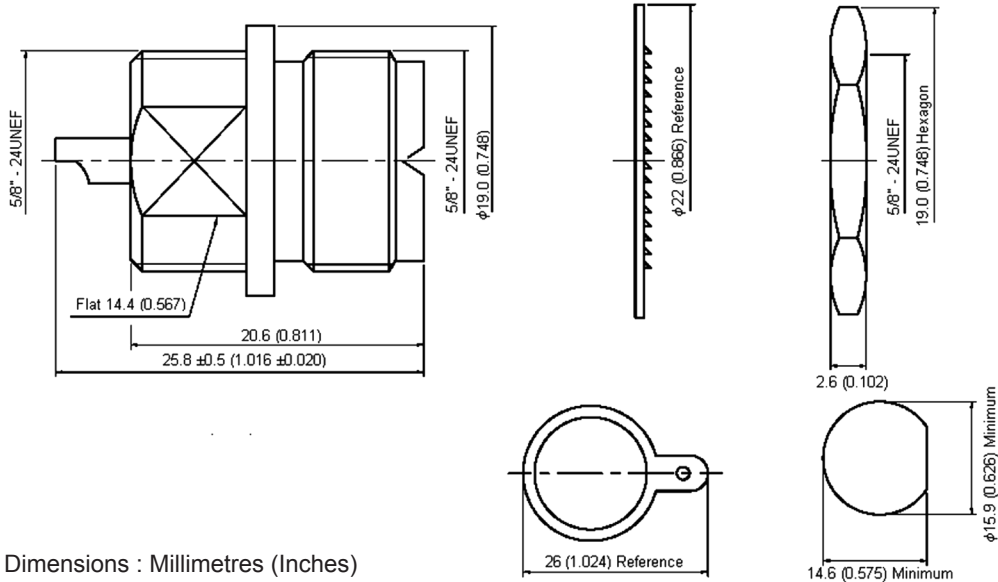


## Specifications:

Connector Type	: UHF Coaxial
Body Style	: Straight Bulkhead Jack
Coaxial Termination	: Solder
Impedance	: 50Ω
Contact Material	: Phosphor Bronze
Contact Plating	: Nickel
Frequency Max	: 300MHz
Connector Mounting	: Panel
Body Plating	: Nickel
Coaxial Connector Type	: UHF
Coaxial Type	: RG223/U, RG266/U
Connector Mounting Orientation	: Bulkhead
External Length / Height	: 25.3mm
Insulation Resistance	: 500MΩ
Insulator Material	: Polyoxymethylene
Panel Cutout Diameter	: 15.8mm
Thread Size	: 5/8"
Working Voltage	: 500V

# UHF Bulkhead Socket



Dimensions : Millimetres (Inches)

Number	Description	Material	Finish
1	Insulation I	POM	None
2	Body	Brass	Nickel 100µ" Minimum
3	Insulation II	POM	None
4	Centre Contact	Phosphor Bronze	Nickel 100µ" Minimum
5	Washer I	Brass	
6	Washer II		
7	Nut		
8	Grounding Tab		

## Part Number Table

Description	Part Number
Socket, UHF, Bulkhead	SOCKET, UHF BULKHEAD

**Important Notice :** This data sheet and its contents (the "Information") belong to the members of the Premier Farnell group of companies (the "Group") or are licensed to it. No licence is granted for the use of it other than for information purposes in connection with the products to which it relates. No licence of any intellectual property rights is granted. The Information is subject to change without notice and replaces all data sheets previously supplied. The Information supplied is believed to be accurate but the Group assumes no responsibility for its accuracy or completeness, any error in or omission from it or for any use made of it. Users of this data sheet should check for themselves the Information and the suitability of the products for their purpose and not make any assumptions based on information included or omitted. Liability for loss or damage resulting from any reliance on the Information or use of it (including liability resulting from negligence or where the Group was aware of the possibility of such loss or damage arising) is excluded. This will not operate to limit or restrict the Group's liability for death or personal injury resulting from its negligence. Multicomp is the registered trademark of the Group. © Premier Farnell plc 2012.