

BNC Jack

Bulkhead, RG58

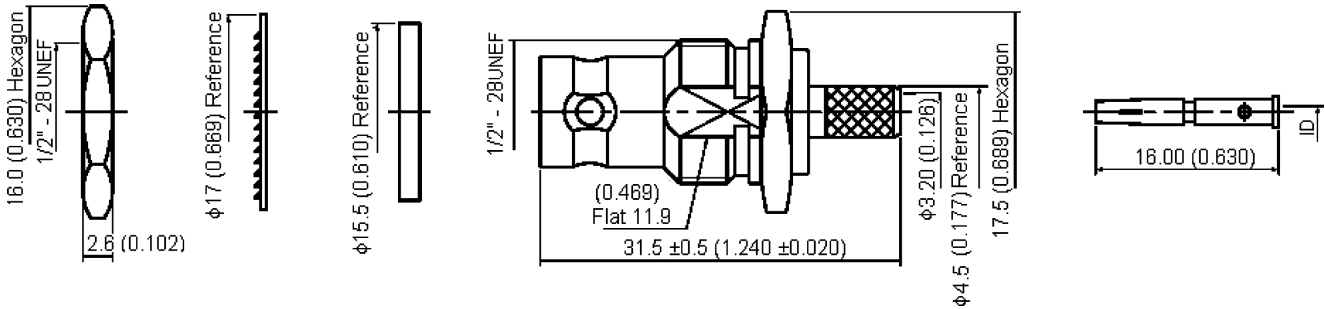


Specifications:

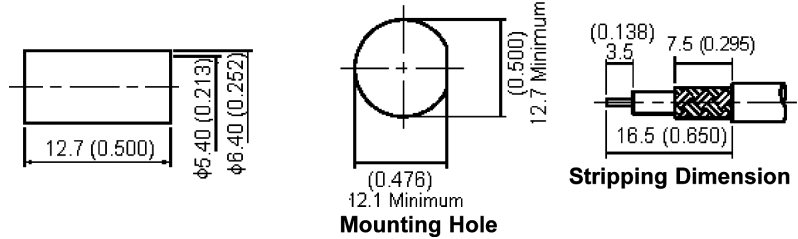
Connector Type	: BNC Coaxial
Body Style	: Straight Bulkhead Jack
Coaxial Termination	: Crimp
Impedance	: 50Ω
Contact Material	: Brass
Contact Plating	: Gold
Frequency Max.	: 11GHz
Connector Mounting	: Panel
Body Plating	: Nickel
Cable Diameter Max.	: 5mm
Coaxial Type	: RG58
Contact Resistance	: 1.5mΩ
DC Current Max.	: 1A
Material	: Brass with Silicone Gaskets
Mounting Type	: Bulkhead
Operating Temperature	: -65°C to +165°C
Panel Cutout Diameter	: 12.9mm
Proof Voltage	: 2kV
VSWR	: 1.35
Working Voltage	: 500V
Bodies	: Brass per JIS-C3604
Centre Contact	: Brass per JIS-C3604
Insulation	: PTFE per ASTM D1457 and ASTM D1710
Crimp Ferrule	: Brass per JIS-C2700
Connector interface per MIL-STD-348A	
Part to be clean and free of burrs	

BNC Jack

Bulkhead, RG58



Dimensions : Millimetres (Inches)



Number	Description	Material	Finish
1	Nut	Brass	Nickel 100µ" Min.
2	Washer	Iron	
3	Body	Brass	
4	Insulation	PTFE	None
5	Gasket	Silicone	
6	Chassis	Brass	Nickel 100µ" Min.
7	Crimp Ferrule		
8	Centre Contact		Gold

Part Number Table

Description	Part Number
Jack BNC, Bulkhead, RG58, Crimp	13-11-TGN RG58

Important Notice : This data sheet and its contents (the "Information") belong to the members of the Premier Farnell group of companies (the "Group") or are licensed to it. No licence is granted for the use of it other than for information purposes in connection with the products to which it relates. No licence of any intellectual property rights is granted. The Information is subject to change without notice and replaces all data sheets previously supplied. The Information supplied is believed to be accurate but the Group assumes no responsibility for its accuracy or completeness, any error in or omission from it or for any use made of it. Users of this data sheet should check for themselves the Information and the suitability of the products for their purpose and not make any assumptions based on information included or omitted. Liability for loss or damage resulting from any reliance on the Information or use of it (including liability resulting from negligence or where the Group was aware of the possibility of such loss or damage arising) is excluded. This will not operate to limit or restrict the Group's liability for death or personal injury resulting from its negligence. Multicomp is the registered trademark of the Group. © Premier Farnell plc 2012.

www.element14.com
 www.farnell.com
 www.newark.com

