

# BNC Jack

## Bulkhead, 75R



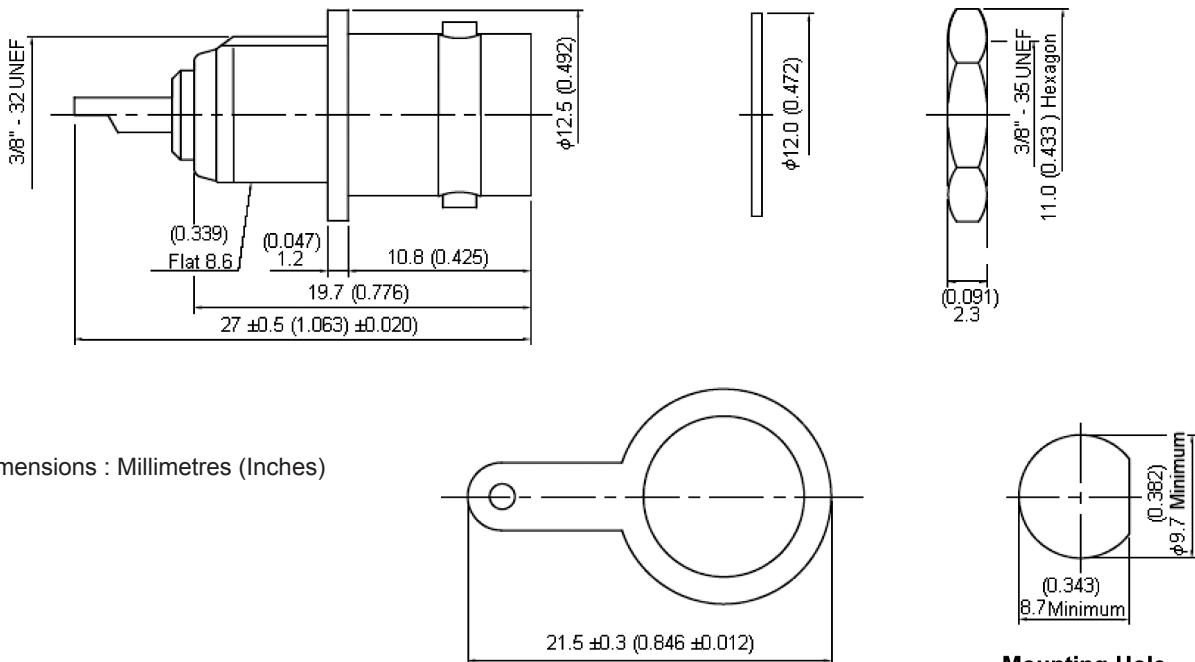
### Specifications:

Connector Type	: BNC Coaxial
Body Style	: Straight Bulkhead Jack
Impedance	: 75Ω
Contact Material	: Brass
Contact Plating	: Gold
Frequency Max.	: 11GHz
Connector Mounting	: Panel
Body Plating	: Nickel
Contact Resistance	: 1.5mΩ
DC Current Max.	: 1A
Material	: Brass with Silicone Gaskets
Mounting Type	: Bulkhead
Operating Temperature	: -65°C to +165°C
Panel Cutout Diameter	: 9.7mm
Panel Thickness	: 4mm
Proof Voltage	: 2kV
VSWR	: 1.35
Working Voltage	: 500V
Bodies	: Brass per JIS-C3604
Centre Contact	: Brass per JIS-C3604
Insulation	: PTFE per ASTM D1457 and ASTM D1710

Part to be clean and free of burrs

# BNC Jack

## Bulkhead, 75R



Dimensions : Millimetres (Inches)

Mounting Hole

Number	Description	Material	Finish
1	Washer	Brass	Nickel 100µ" Minimum
2	Nut		
3	Grounding Tab		
4	Insulation	PTFE	None
5	Centre Contact	Brass	Gold
6	Body		Nickel 100µ" Minimum
7	Insulation	PTFE	None

### Part Number Table

Description	Part Number
Jack BNC, Bulkhead, 75R, Nickel	13-25 TGN 75R

**Important Notice :** This data sheet and its contents (the "Information") belong to the members of the Premier Farnell group of companies (the "Group") or are licensed to it. No licence is granted for the use of it other than for information purposes in connection with the products to which it relates. No licence of any intellectual property rights is granted. The Information is subject to change without notice and replaces all data sheets previously supplied. The Information supplied is believed to be accurate but the Group assumes no responsibility for its accuracy or completeness, any error in or omission from it or for any use made of it. Users of this data sheet should check for themselves the Information and the suitability of the products for their purpose and not make any assumptions based on information included or omitted. Liability for loss or damage resulting from any reliance on the Information or use of it (including liability resulting from negligence or where the Group was aware of the possibility of such loss or damage arising) is excluded. This will not operate to limit or restrict the Group's liability for death or personal injury resulting from its negligence. Multicom is the registered trademark of the Group. © Premier Farnell plc 2012.

www.element14.com  
 www.farnell.com  
 www.newark.com

