

Miniature Tactile Switch

Double Action



Specifications:

Contact Configuration	: SPDT
Operating Force	: 2.45N
Contact Voltage DC Nom	: 12V
Actuation Type	: Top
Switch Terminals	: PCB
Body Depth	: 6mm
External Length / Height	: 0.9mm
External Width	: 6.4mm
Switch Operation	: Double Action
Terminal Type	: J-Lead
Termination Type	: SMD

Mechanical:

Operation force	: 1st: 80 ±40gf
2nd	: 250 ±60gf
Stroke	: 1st: 0.25 ±0.1mm
2nd	: 0.4 ±0.15mm
Operating temperature	: -25 to +75°C
Storage temperature	: -30 to +80°C

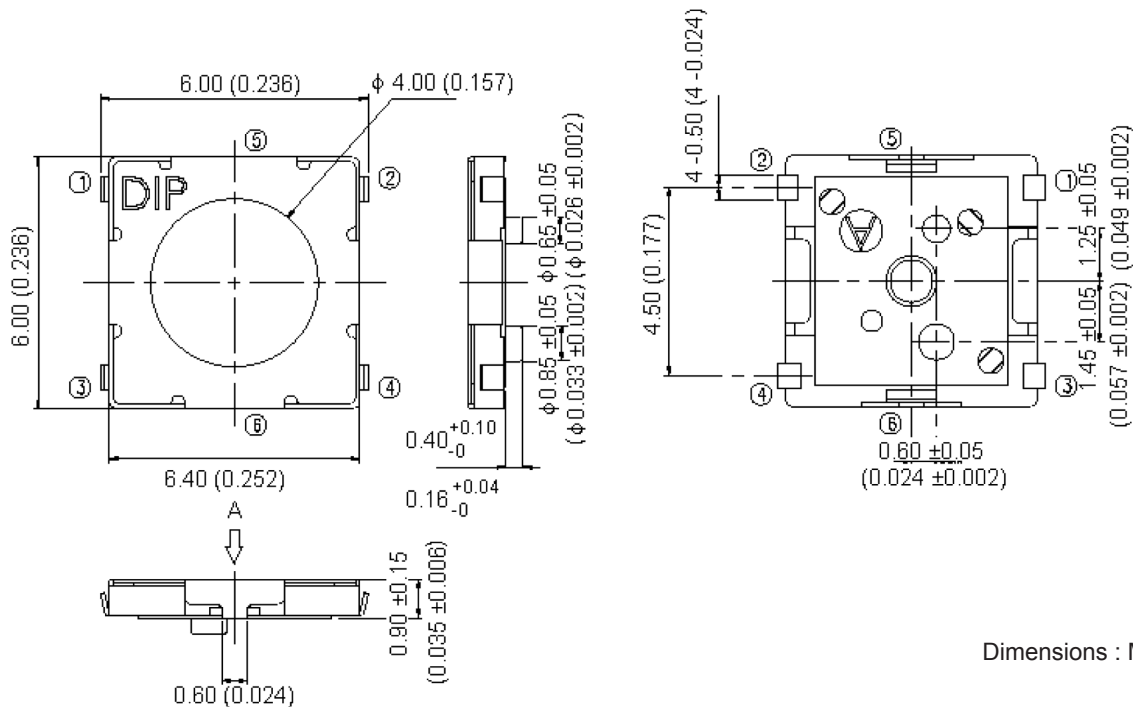
Electrical:

Electrical life	: 30,000 cycles
Rating	: 50mA, 12V DC
Maximum contact resistance	: 100mΩ.
Minimum insulation resistance	: 100MΩ at 100V DC
Dielectric strength	: 250V AC/1 minute
Contact arrangement	: 1 pole 2 throw

Materials:

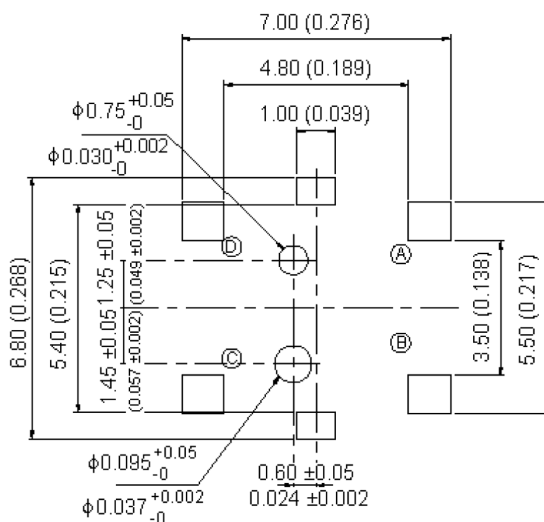
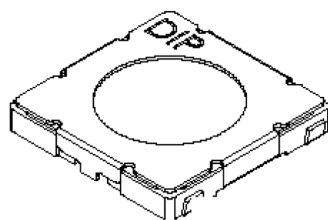
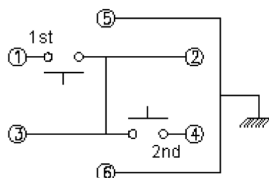
Cover	: Nickel silver
Base	: Nylon high-temperature thermoplastic
Colour	: Black
Dust proof	: PTFE
	Colour : White
Contact disc	: Stainless with silver cladding
Terminal	: Copper alloy with silver plated

Miniature Tactile Switch Double Action



Dimensions : Millimetres (Inches)

Circuit

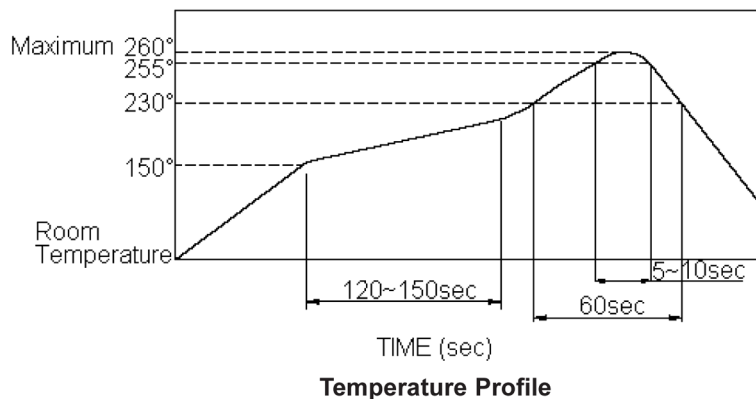


PCB Layout
View from the Direction A

Dimensions : Millimetres (Inches)



Miniature Tactile Switch Double Action



Soldering Process:

Hand soldering: Use a soldering iron of 30W, controlled 350°C approximately 5 seconds while applying.

Reflow soldering: When applying reflow soldering, the peak temperature or the reflow Oven should be set at 260°C maximum.

Part Number Table

Description	Part Number
Switch, Tactile Double Action SMD	MC32604

Important Notice : This data sheet and its contents (the "Information") belong to the members of the Premier Farnell group of companies (the "Group") or are licensed to it. No licence is granted for the use of it other than for information purposes in connection with the products to which it relates. No licence of any intellectual property rights is granted. The Information is subject to change without notice and replaces all data sheets previously supplied. The Information supplied is believed to be accurate but the Group assumes no responsibility for its accuracy or completeness, any error in or omission from it or for any use made of it. Users of this data sheet should check for themselves the Information and the suitability of the products for their purpose and not make any assumptions based on information included or omitted. Liability for loss or damage resulting from any reliance on the Information or use of it (including liability resulting from negligence or where the Group was aware of the possibility of such loss or damage arising) is excluded. This will not operate to limit or restrict the Group's liability for death or personal injury resulting from its negligence. Multicomp is the registered trademark of the Group. © Premier Farnell plc 2012.

