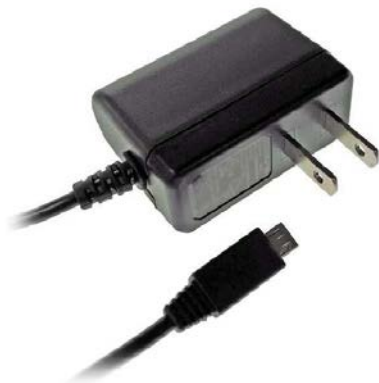


Raspberry Pi Power Supply

USA version order code RPI-PSU-US-MK1



Descriptions:

A 5V DC 1A USA Micro USB power supply is manufactured specifically for use with the Raspberry Pi device. It offers a highly efficient output meeting latest CEC stage 2 (V) requirements and is safety approved. This unit has a fixed USA pin and features short circuit and over current protection as standard. This Raspberry Pi power supply has M.T.B.F of 50K hours at 25°C

Features:

- Built specifically for use with Raspberry Pi
- Class II design 5vdc 1A output via Micro USB
- Energy efficient to CEC V

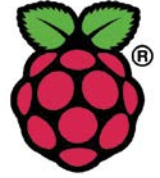
Specifications:

Part Number	: RPI-PSU-US-MK1
Output	: 5V DC 1A max.
Current Min.	: 0.01A
Power (Watts)	: 5W
Line Reg	: $\pm 5\%$ at rated load
Total Output Regulation	: $\pm 5\%$ at 0 - 100% load
Ripple & Noise (mV p-p)	: 200mV P-P
Protections	: Over Current and Short Circuit
Case Size	: 54mm \times 24mm \times 40.5mm
Weight (approx.)	: 70g
DC Cord	: 1.8 Metres
DC Plug	: Micro USB
Rated Input Voltage	: 100V AC to 240V AC
Full Input Voltage Range	: 90V AC to 264V AC
Rated Frequency	: 50Hz to 60Hz
Full Frequency Range	: 47Hz to 63Hz
Efficiency	: 69.2%
Leakage Current	: shall not exceed 0.25mA
Input Power	: 7.72W max
Input Current (RMS Max.)	: 0.18A max.
Hi-Pot Spec	: 3,000V AC 10mA 1 min. (I.P. to O.P.)
No load power consumption	: 0.3W max.
Operating Temperature	: 0°C to 40°C
Storage Temperature	: -20°C to 80°C
Operating Humidity	: 10% to 90%
Safety Approvals	: UL 60950-1 (UL) CSA C22.2 NO.60950-1 (CSA)
EMC Standards	: EN55022:2006+A1:2007 / EN6100-3-2 / EN6100-3-3
Pb-free	: Yes RoHS Compliant
MTBF	: 50K Hours at 25°C

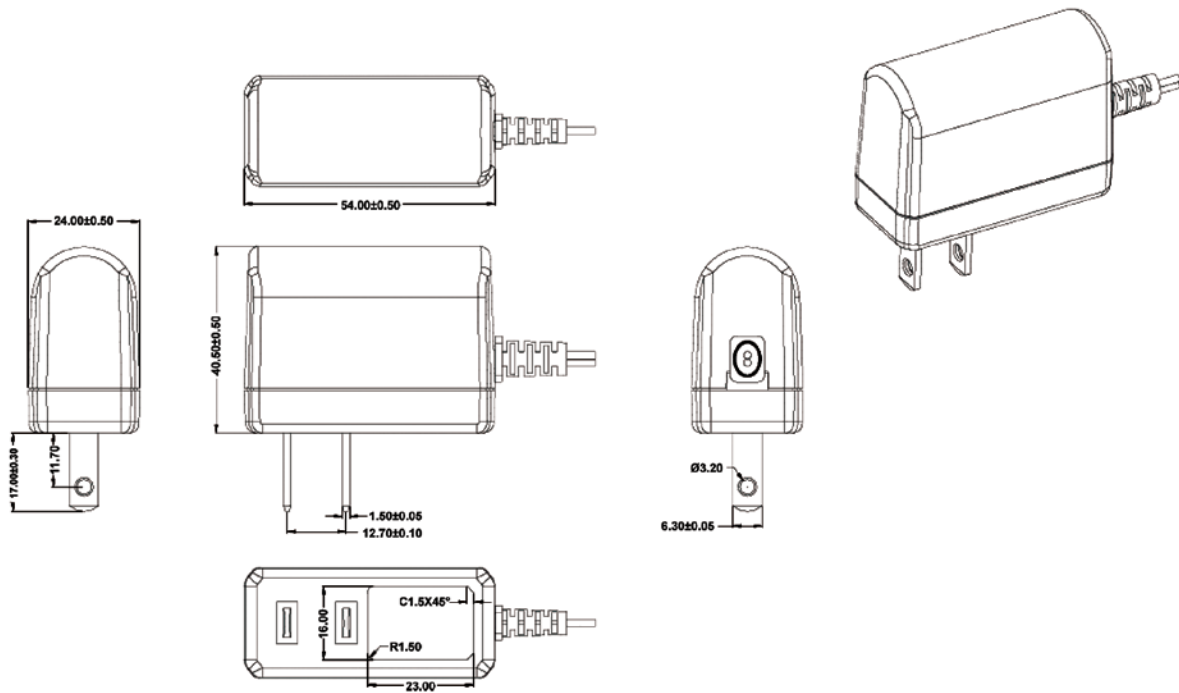


Raspberry Pi Power Supply

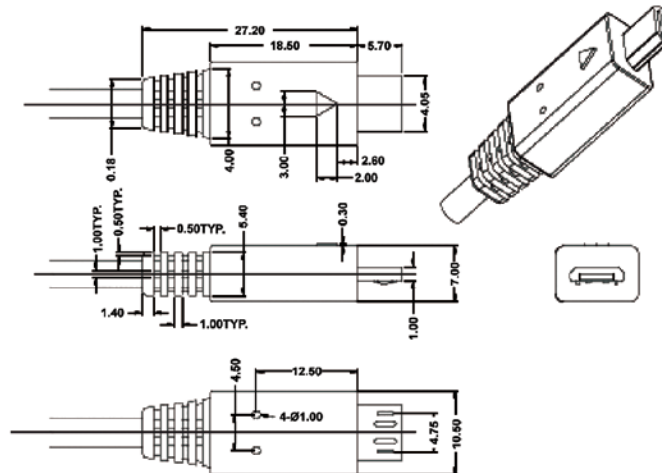
USA version order code RPI-PSU-US-MK1



Mechanical drawing:



Output connector



Dimensions: Millimetres

