

### 6.0 mm×3.5 mm 2R Light Touch Switches

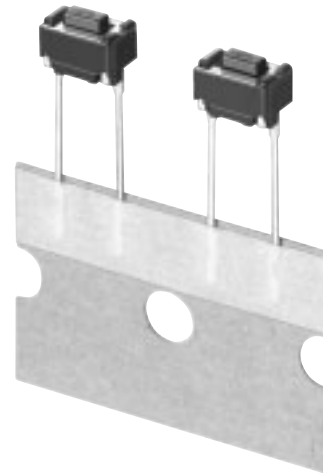
Type: **EVQPJ**

#### ■ Features

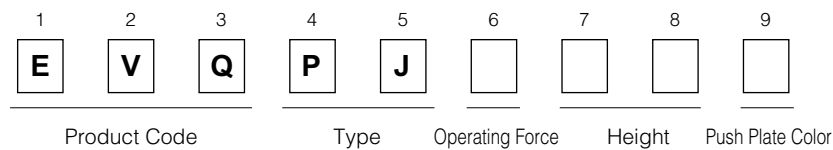
- External dimensions : 6.0 mm×3.5 mm, Height 4.3 mm, 5.0 mm
- Wave soldering available

#### ■ Recommended Applications

- Operating switches for other electronic equipment



#### ■ Explanation of Part Numbers



#### ■ Product Chart

| Operating Force | Type | Radial Taping | Height               |
|-----------------|------|---------------|----------------------|
| 1.0 N±0.5 N     |      | EVQPJG        | H=4.3 mm<br>H=5.0 mm |
| 1.6 N±0.5 N     |      | EVQPJH        |                      |
| 2.4 N±0.6 N     |      | EVQPJJ        |                      |

#### ■ Specifications

| Type                          | Snap action/Push-on type SPST   |   |                   |
|-------------------------------|---------------------------------|---|-------------------|
| Electrical                    | Circuit Diagram                 |   |                   |
|                               | Rating                          | 10 μA 2 Vdc to 50 mA 12 Vdc (Resistive load)                |                   |
|                               | Contact Resistance              | 100 mΩ max.   |                   |
|                               | Insulation Resistance           | 100 MΩ min. (at 100 Vdc)                                    |                   |
|                               | Dielectric Withstanding Voltage | 250 Vac for 1 minute  |                   |
| Mechanical                    | Bouncing                        | 10 ms max. (ON, OFF)  |                   |
|                               | Operating Force                 | 1.0 N±0.5N<br>(Low force type)<br>1.6 N±0.5 N<br>(Standard) | 2.4 N±0.6 N       |
| Endurance                     | Operating Life                  | 0.25 mm <sup>+0.20</sup> / <sub>-0.10</sub> mm              |                   |
|                               |                                 | 50000 cycles min.   | 30000 cycles min. |
| Operating Temperature         |                                 | -30 °C to +85 °C  |                   |
| Storage Temperature           |                                 | -40 °C to +85 °C (Bulk)<br>-20 °C to +40 °C (Taping)        |                   |
| Minimum Quantity/Packing Unit |                                 | 2000 pcs. Radial Taping (Reel Pack)                         |                   |
| Quantity/Carton               |                                 | 20000 pcs.  |                   |

Design and specifications are each subject to change without notice. Ask factory for the current technical specifications before purchase and/or use. Should a safety concern arise regarding this product, please be sure to contact us immediately.

■ Dimensions in mm (not to scale)

