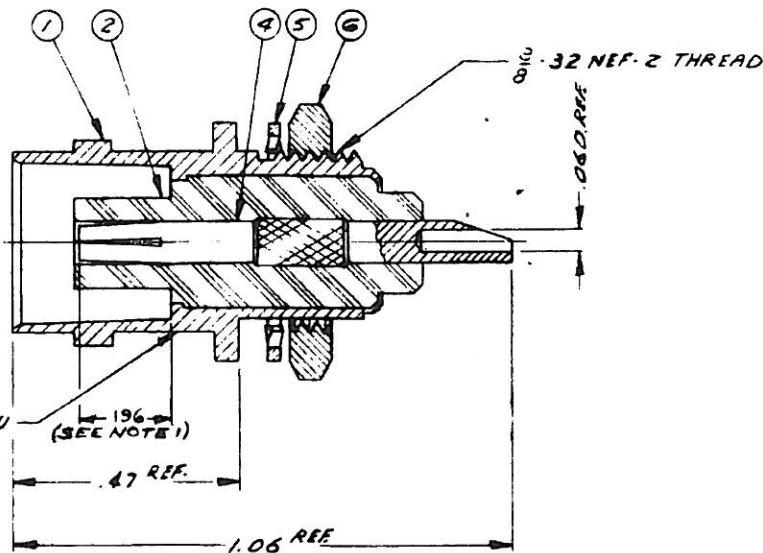


STAMP: 91836 UG-1094/U



UG-1094/U

S-D

REVISIONS

REV	CHANGES
1	REVISED
2	REVISED
3	REVISED
4	REVISED
5	REVISED
6	REVISED

S-D

1C-76-06

REF: SC-12-72305
MD-35170 REV A.

FINISH
SPEC: ER-17001
MATERIAL
SPEC:

QTY	ASSEMBLY	DESCRIPTION	DRAWING NO
6	1	HEX NUT	706-4-M07
5	1	LOCKWASHER	C-71-09-7-M07
4	1	BNC CONTACT F	
2	1	INSULATOR	
1	1	BODY	

BNC RECEPTACLE
DRAWN: JHE DATE: 30 MAY 73
LPTH: JHE DATE: 5-30-73
KINGS ELECTRONICS
40 MARSHALL ROAD
NEW BRITAIN, CT 06107
UG-1094/U

UNLESS OTHERWISE SPECIFIED:
1. TOLERANCES - FRACTIONS TO THREE DECIMALS ± .010
2. REMOVE ALL BURRS - BREAK SHARP EDGES .005 MAX.
3. PLACE OF TAP AS FOLLOWS - ANGLES 45° OR 30°
4. NO FILLETS PERMITTED
5. SURFACE ROUGHNESS 32 MICROINCHES RMS MAX.
6. ALL DIMENSIONS UNLESS OTHERWISE SPECIFIED
7. ALL DIMENSIONS UNLESS OTHERWISE SPECIFIED

S-D