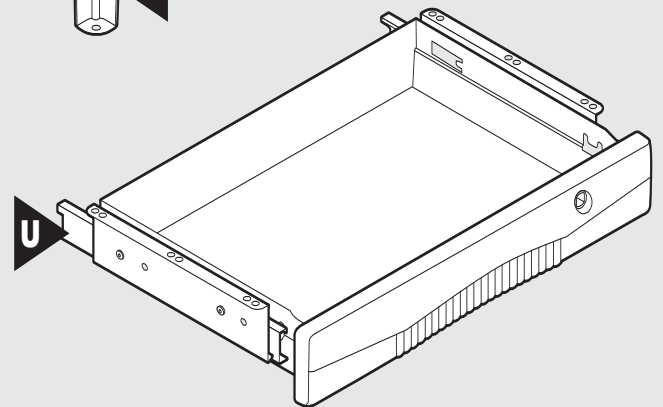
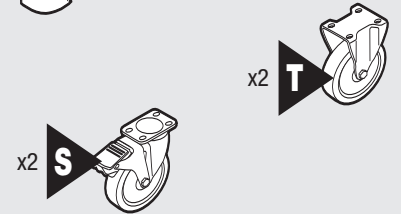
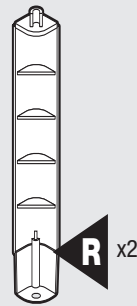
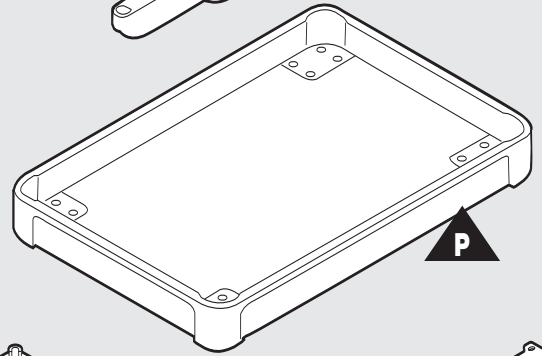
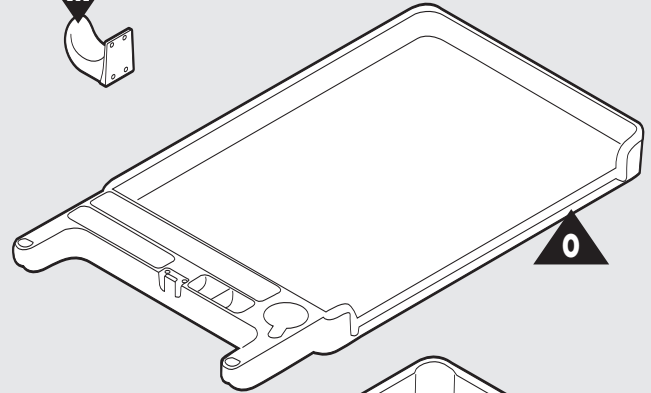
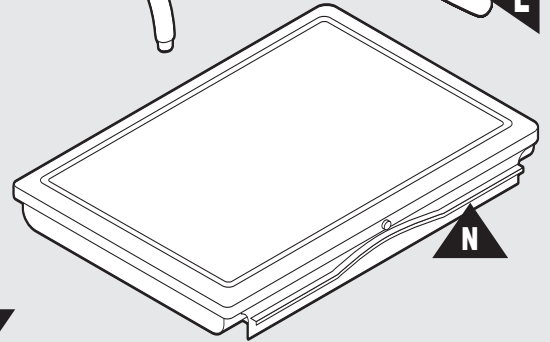
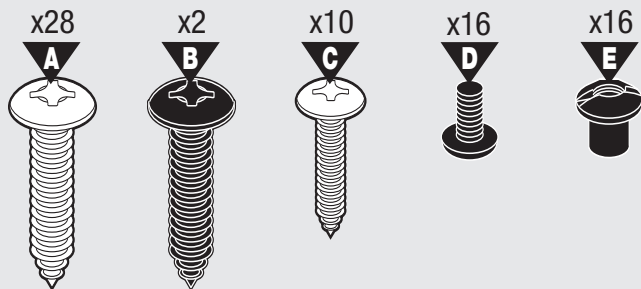
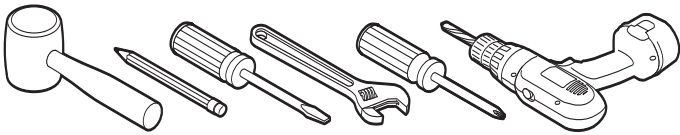
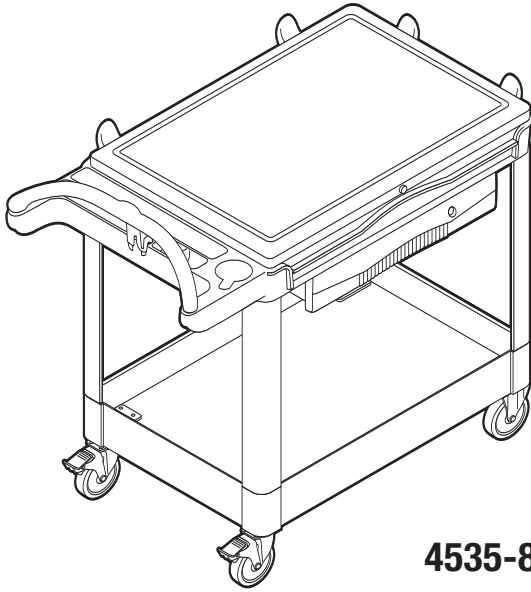
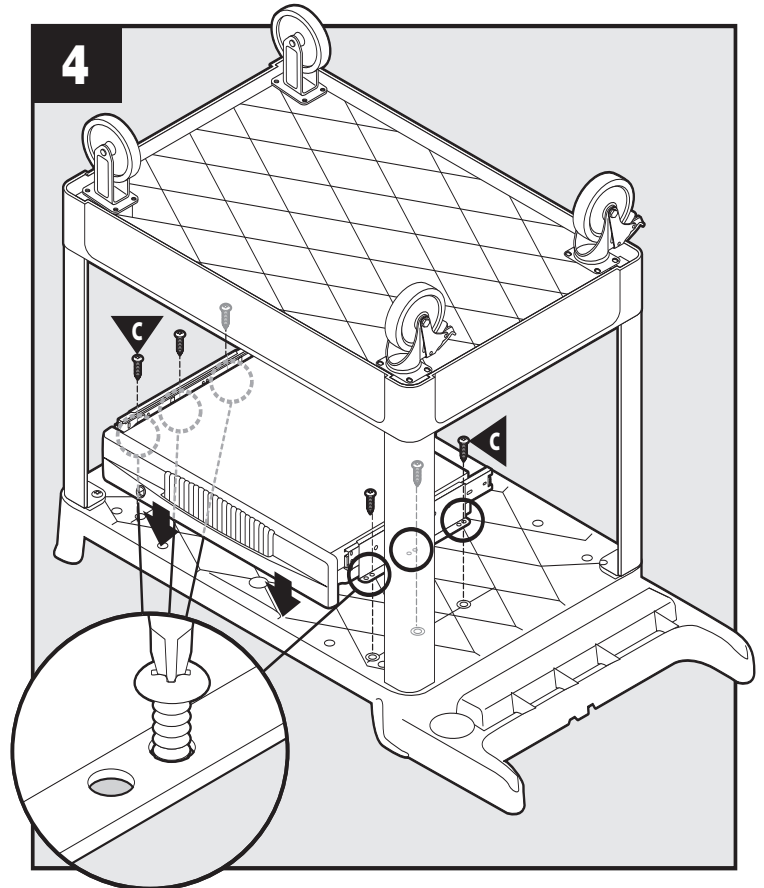
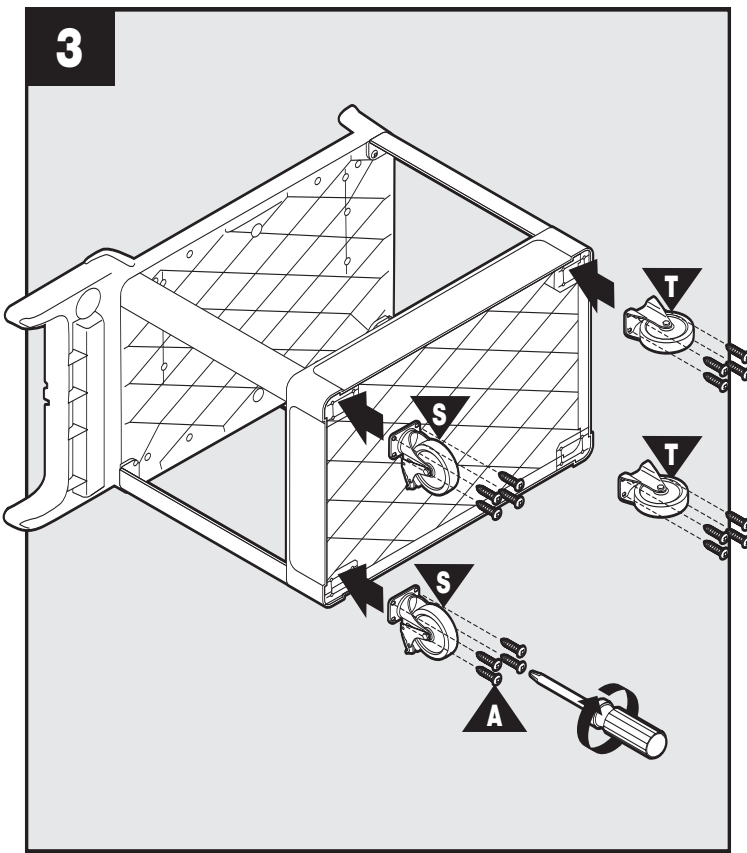
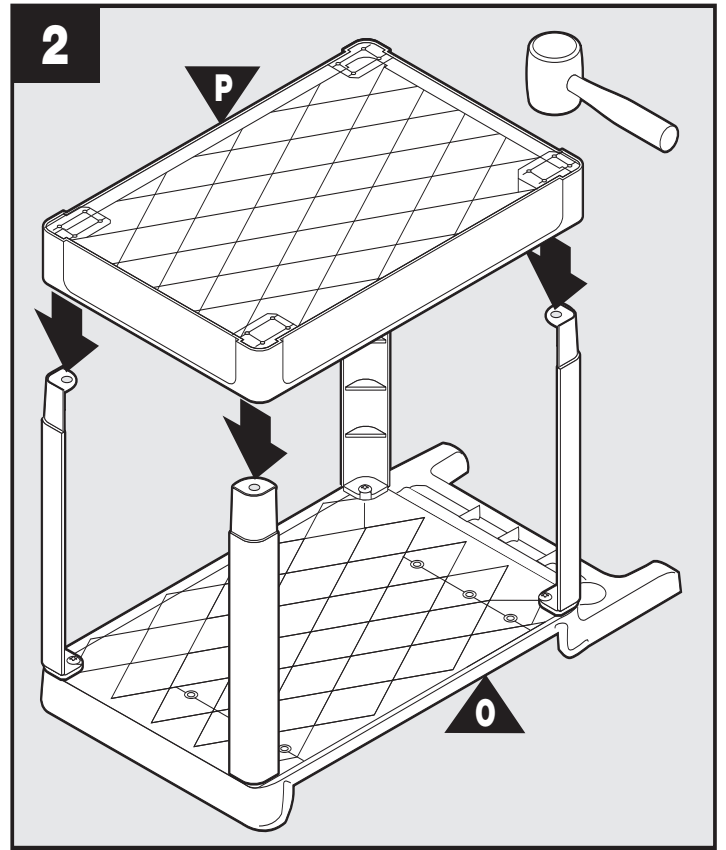
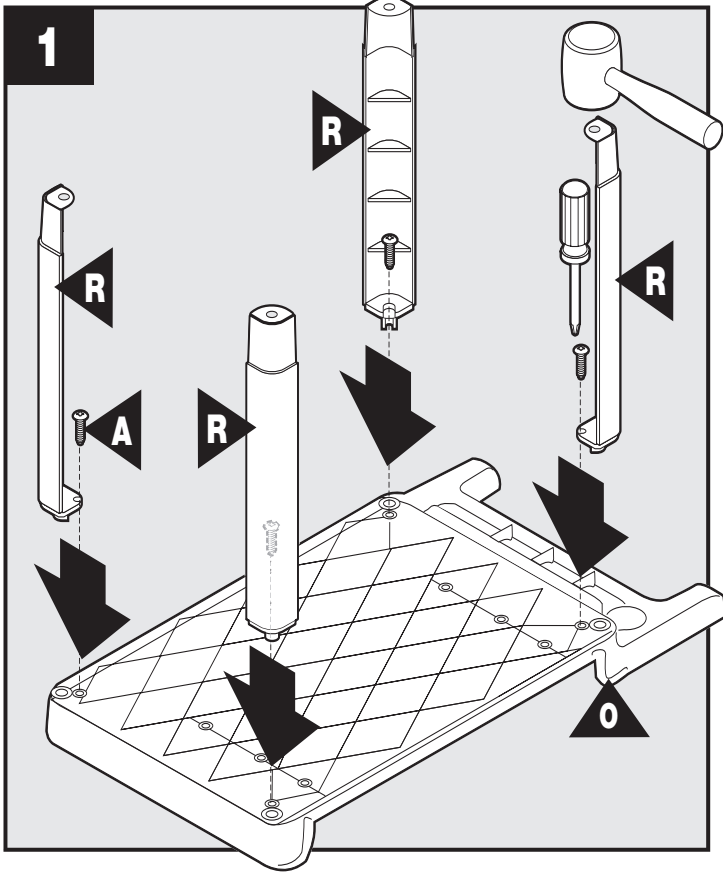
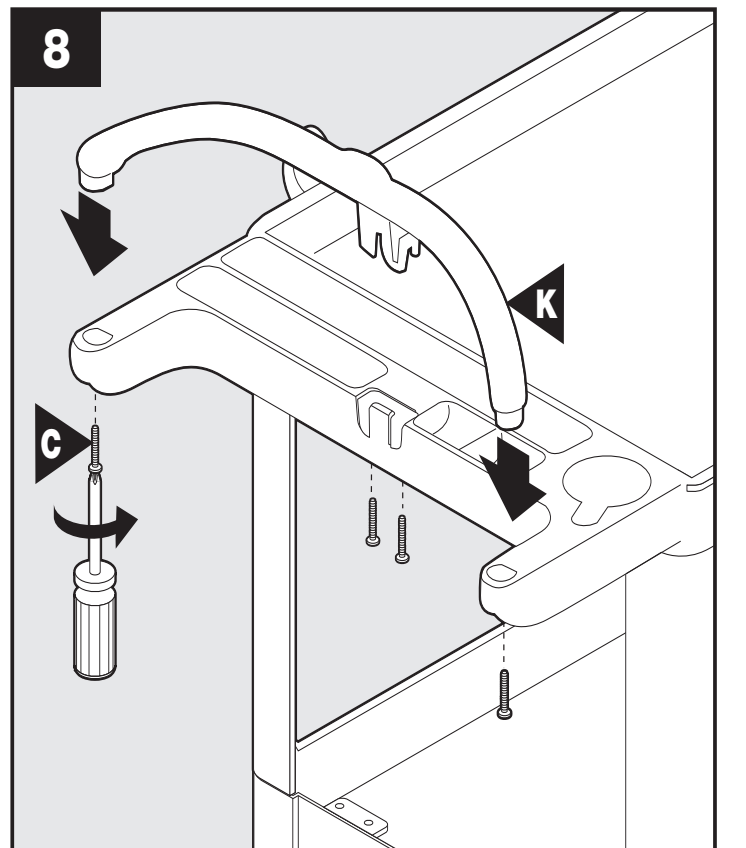
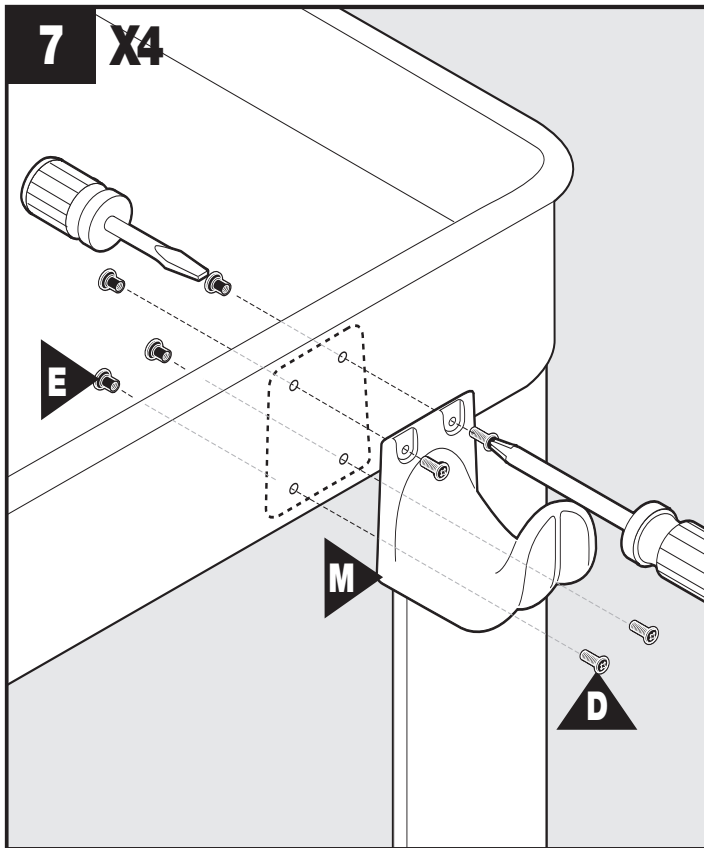
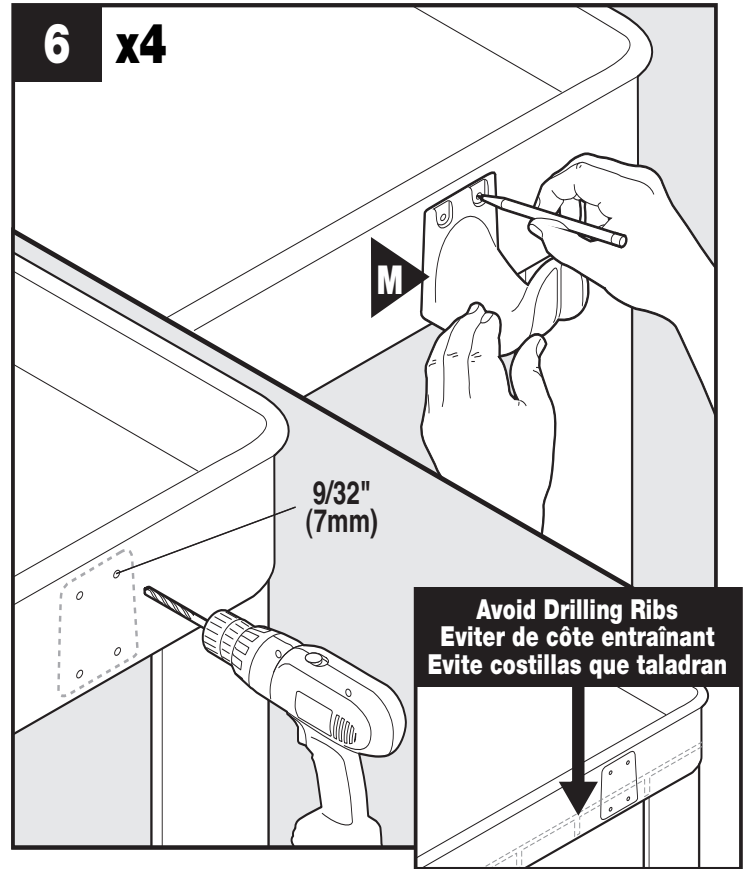
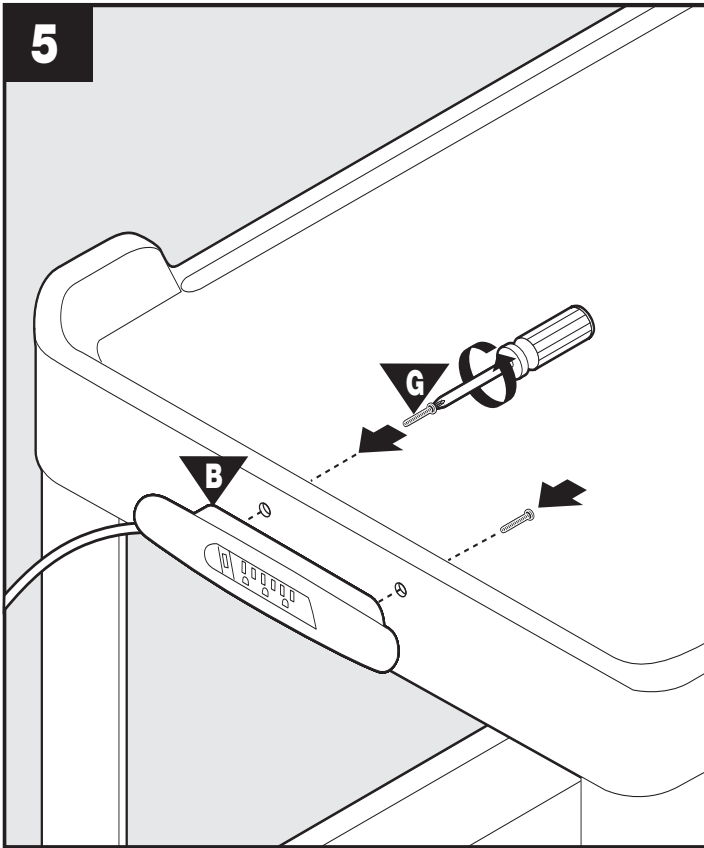


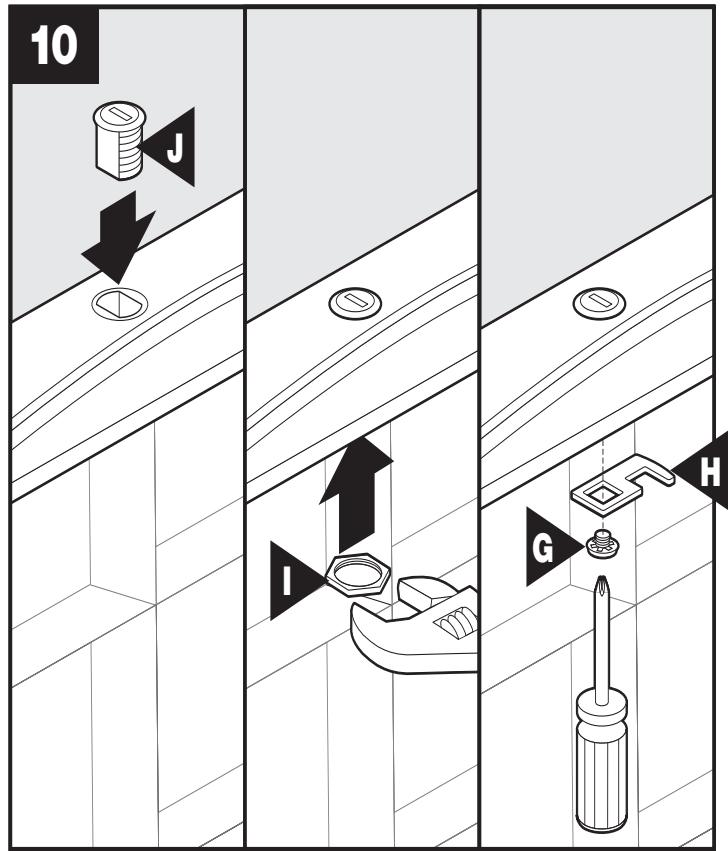
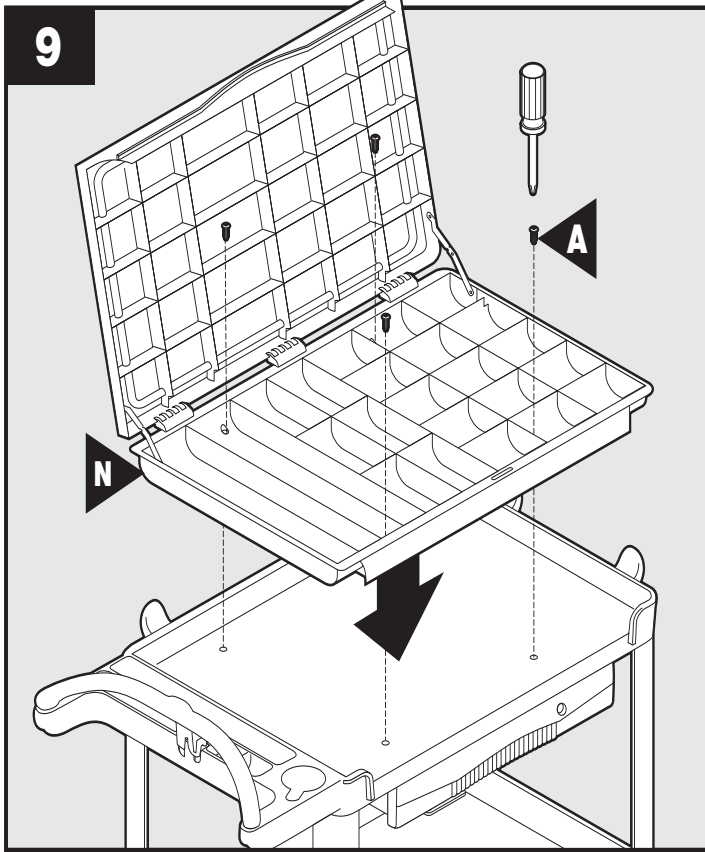
# Rubbermaid®

## Commercial Products

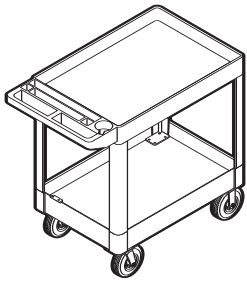




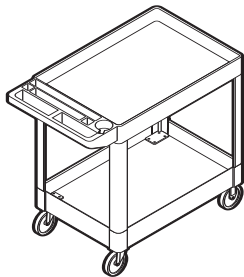




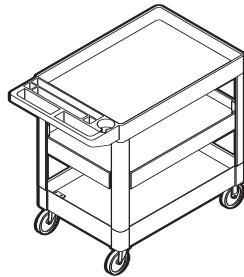
**A CART FOR EVERY TASK / UN CARRITO PARA CADA TAREA / UNE CHARRETTE POUR CHAQUE TÂCHE**



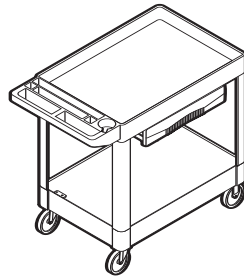
**4520-10**—25.8" x 45.1" x 36"  
**4546-10**—25.3" x 54.8" x 36.4"



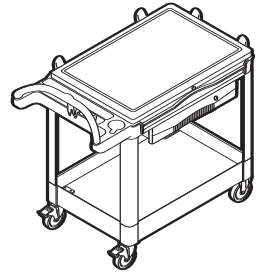
**4500-88**—17.8" x 39.3" x 33"  
**4520-88**—25.8" x 45.1" x 33"  
**4546**—25.3" x 54.8" x 33.4"



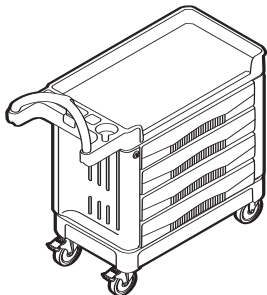
**4510**—17.8" x 39.3" x 33"  
**4530**—25.8" x 45.1" x 33"



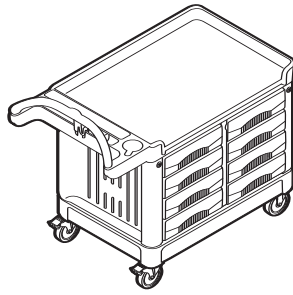
**4511**—17.8" x 39.3" x 33"  
**4531**—25.8" x 45.1" x 33"  
**4547**—25.3" x 54.8" x 33.4"



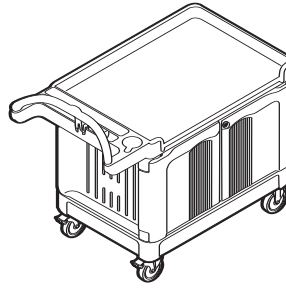
**4535-88**—26.3" x 47.8" x 34.6"



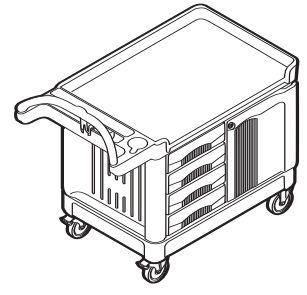
**4513-88**—18.4" x 40" x 33.4"



**4534-88**—26.2" x 47.8" x 33.7"



**4512-88**—18.3" x 41.1" x 33.4"  
**4532-88**—26.2" x 48.95" x 33.7"



**4533-88**—26.2" x 48.95" x 33.7"  
**4548-88**—26.1" x 58.5" x 33.7"

Products manufactured under quality management system registered to ISO 9001:2000  
 ©2005 Rubbermaid Commercial Products LLC  
 Printed in U.S.A.  
 Product #4535  
 Instructions #77-4535-00



Rubbermaid Commercial Products LLC  
 3124 Valley Avenue  
 Winchester, VA 22601 U.S.A.  
 Phone: 540-667-8700  
 Fax: 540-542-8770  
[www.rubbermaidcommercial.com](http://www.rubbermaidcommercial.com)