

SPECIFICATIONS

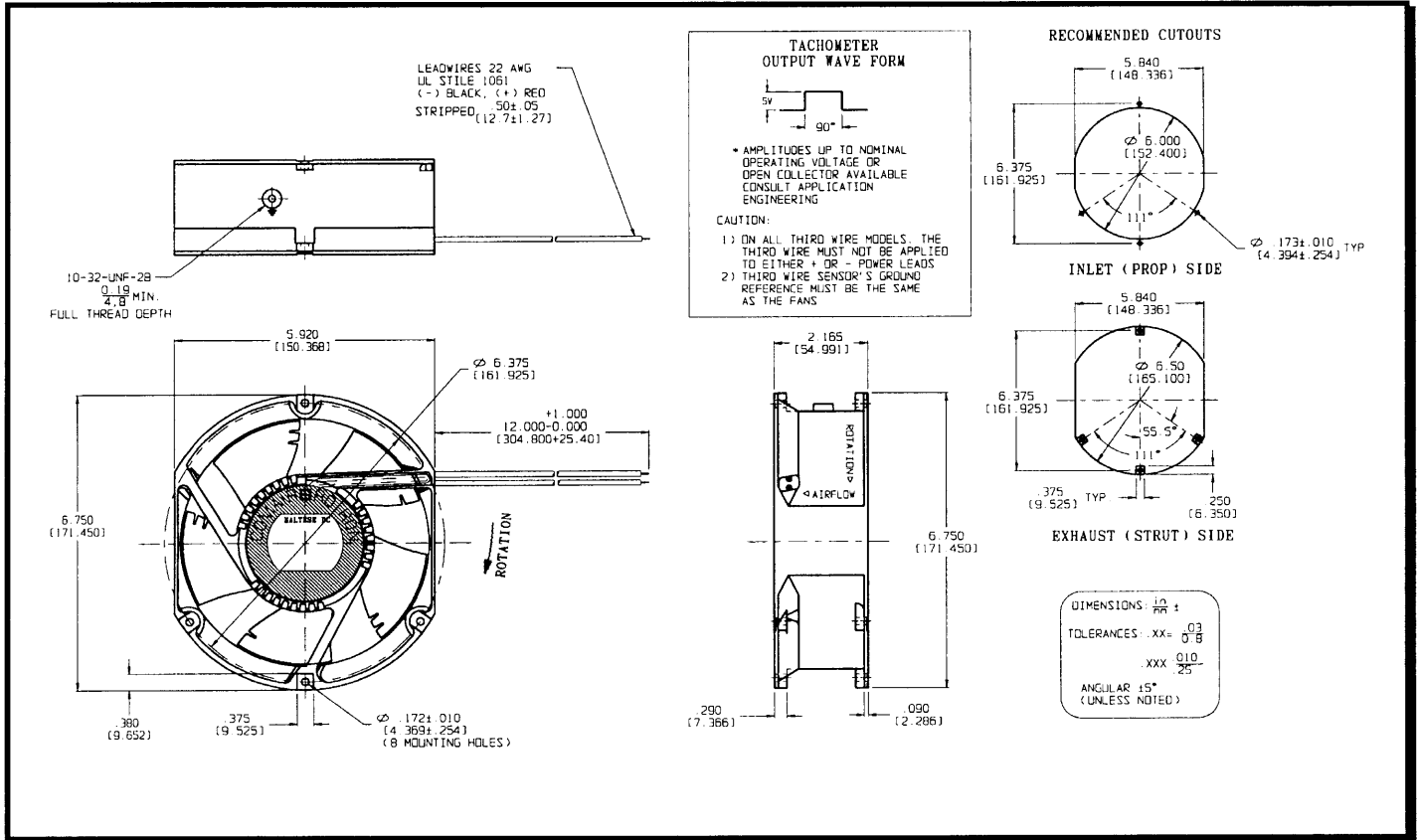


Model Number: MT24B3

Part Number: 031843

January 17, 2003

Mechanical Drawing:



Motor:

Nominal Voltage	= 24 vdc
Operating Voltage Range	= 12 - 28 vdc
Nominal Running Current	= 1.70 amps
Max. Locked Rotor Current	= 3.50 amps
Running Power	= 41 watts
Average Speed	= 3450 RPM
Bearings	= Ball
Air Flow	= 300 CFM
Acoustic	= 57.1 dBA

Construction:

Venturi: Single Piece Die-cast Aluminum, Black.
 Propeller: Plastic, UL 94V-0 Rated, Black.

Agency Approved:

UL, CUR, TUV, CE

Life Expectancy:

This fan is designed for continuous duty life of 76,000 hours at 40°C.

Additional Features:

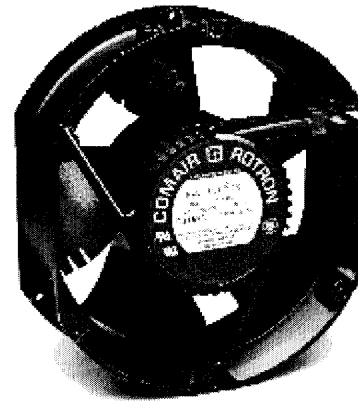
Brushless DC Motor
 Electronic Locked Rotor Protected
 Polarity Protected
 Automatic Restart Capability
 Operating Temperature: -10°C to 70°C
 Storage Temperature: -40°C to 85°C

Termination:

12" Lead wires, AWG 22, UL 1061
 Red = Power (+)
 Black = Ground (-)

Maltese® DC

Brushless DC Tubeaxial Fan

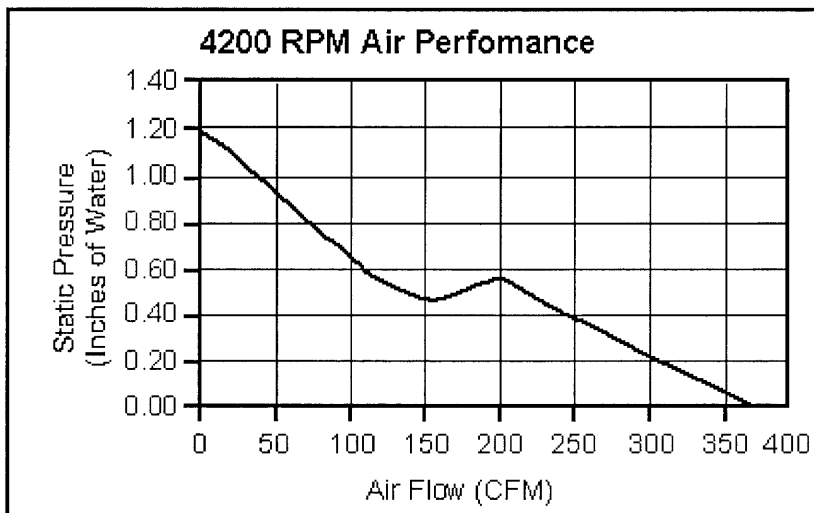
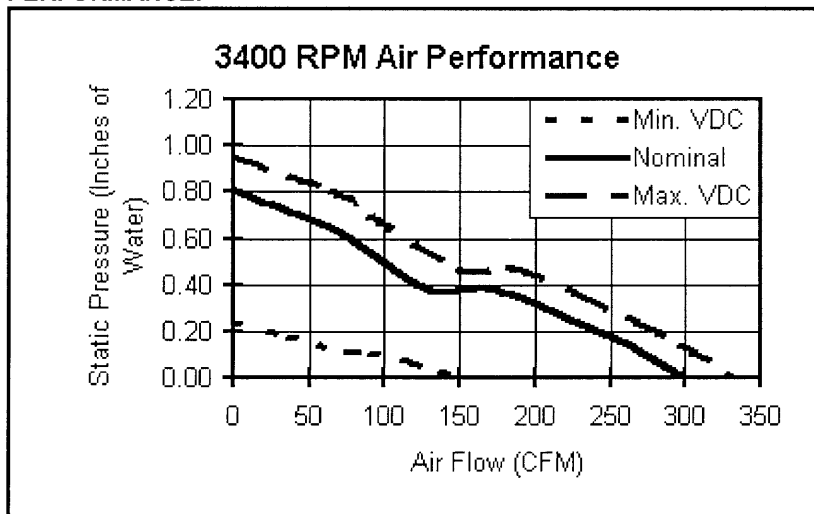


FEATURES:

- Size: 6.75" x 5.92" x 2.165" deep
(171.5mm x 150.4 x 55.0mm)
- Air Flow: 360 CFM
- Voltage: 12, 24, & 48 VDC
- Operating Temperature Range: -10°C to +70°C
- Storage Temperature Range: -40°C to +85°C
- Feathered Edge™ for Lower Noise
- Ball Bearings
- 12" Leadwires, 22 AWG, or Terminals
- Weight: 1.84 Lbs. (.84 Kg)



PERFORMANCE:



SPECIFICATIONS:

Model No.	Part No.	(VDC)	Watts	Running Current (amps)	Locked Rotor Current (Amps)	RPM	CFM	Noise (dBA)	Features
MT12B3	031856	12	34.8	2.900	4.500	3400	300	57.1	1,3
MT24B3	031843	24	41.0	1.700	3.500	3400	300	57.1	1,3
MT24B4	031897	24	41.0	1.700	3.500	3400	300	57.1	2,3
MTD24Z3A2	039578	24	51.0	2.200	2.500	4200	360	61.3	1,3
MTB48B3	031841	48	34.5	0.720	1.300	3400	300	57.1	1,3
MTD48Z3A2	039579	48	51.0	1.100	1.250	4200	360	61.3	1,3

[Click here to view diagram - MalteseDC.gif \(110K\)](#)

FEATURES:

1. Leadwires
2. Terminals
3. Ball Bearings
4. Sleeve Bearings
5. Tachometer Output
6. Thermal Speed Control
7. Programmable Speed Control
8. Fan Performance Sensor

MOTOR:

- Brushless Electronic Commutation Provided By Dependable Solid State Circuitry
- Ball Bearings
- 100% Dielectric Tested
- Electronic Locked Rotor Protection
- Polarity Protected

CONSTRUCTION:

- Venturi - Die Cast Aluminum, Black
- Propeller - Polycarbonate, Black, UL94V-0

LIFE EXPECTANCY:

- L10 Data - 62,000 hrs, @ 50°C

EMI:


- These products have been tested and complies with FCC Part 15 Class B of:

EN55022 - 1994 Class B Conducted Emissions.
EN55022 - 1995 Class B Radiated Emissions.

OPTIONS:

- Tachometer Output - square wave output equal to 2 pulses per revolution
- Fan Performance Sensors (FPS)
- Thermal Speed Control

- Programmable Speed Control
- Customized Harness Assemblies
- Threaded Mounting Holes Available

 [Back to DC Axial Fans Menu](#)

[Home](#) | [Products](#) | [Competitor Cross-Reference Search](#) | [Product Data Sheet](#)
[Engineering Notes](#) | [Stock Check / Order](#) | [About Us](#) | [What's New](#) | [Contact Us](#)

*Copyright © 1997-2000, Comair Rotron
2675 Customhouse Court, San Diego, CA 92154-7619. All Rights Reserved*