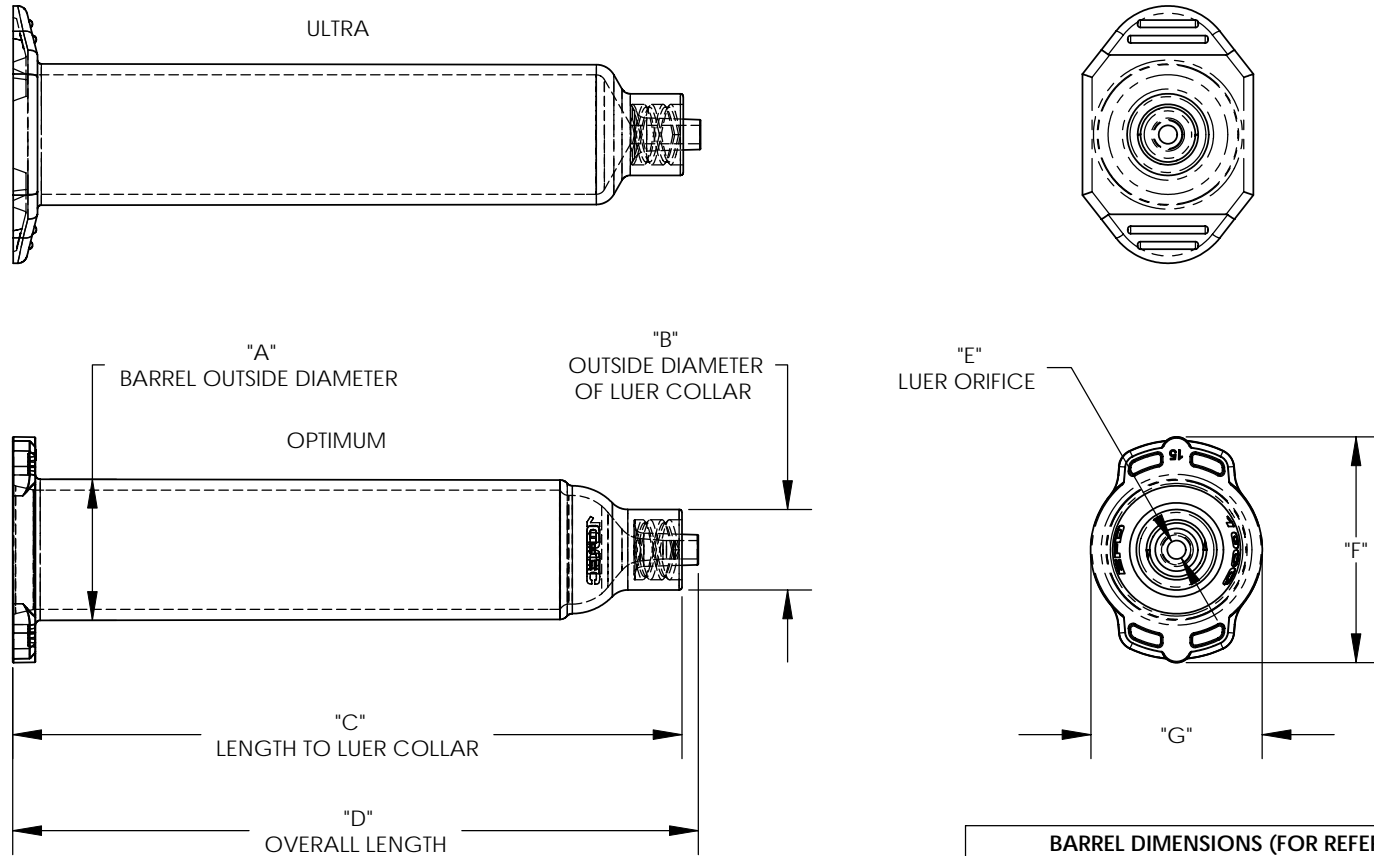


NOTES:
1. DIMENSIONS ARE IN INCHES [mm].



BARREL DIMENSIONS (FOR REFERENCE ONLY)		
DIMENSION	OPTIMUM	ULTRA
A	Ø .73 [18.54]	Ø .73 [18.54]
B	Ø .42 [10.67]	Ø .43 [10.92]
C	3.49 [88.65]	3.49 [88.65]
D	3.57 [90.68]	3.58 [90.93]
E	Ø .10 [2.54]	Ø .10 [2.54]
F	1.18 [29.97]	1.34 [34.04]
G	Ø .89 [22.61]	.89 [22.61]

EFD[®]
A NORDSON COMPANY
Toll Free: 1-800-556-3484

977 Waterman Ave.
East Providence
Rhode Island, USA 02914
Fax: 401-431-0237

TITLE

10cc OPTIMUM VS. ULTRA COMPARISON

REV. CODE

01-4/16/2008

AUTH. BY: