

Axial AC Fan



RoHS
Compliant



Specifications:

Current Type	: AC
Current Rating	: 180mA
Rated Voltage	: 115V AC 50 / 60Hz
Operating Voltage Range	: 85 to 125V AC
Starting Voltage	: 85V AC
Rated Speed	: 2,550 / 2,900RPM \pm 10%
Air Delivery	: 85 / 105CFM
Static Pressure	: 0.25 / 0.3"-H2O
Rated Current	: 0.21 / 0.18A
Input Power	: 20 / 18W
Noise Level	: 43 / 48dB(A)
External Height	: 120mm
External Width	: 120mm
External Depth	: 38mm
Direction of Rotation	: Counter-clockwise viewed front of fan blade
Bearing Type	: Sleeve
Operating Temperature	: -10°C to +70°C
Storage Temperature	: -40°C to +70°C
Bearing System	: Lubricated sleeve bearing system
Weight	: 550g
Safety	: TUV / UL E175395 / CUR / CE Approvals
Vibration	: Vibration of acceleration 1.5g and Frequency 5 5 5Hz is applied in the 3 directions (X,Y,Z) for 1 minutes, each Direction at the cycle of 30 minute.

Material

Frame	: Die-Cast Aluminum
Impeller	: Thermoplastic PBT

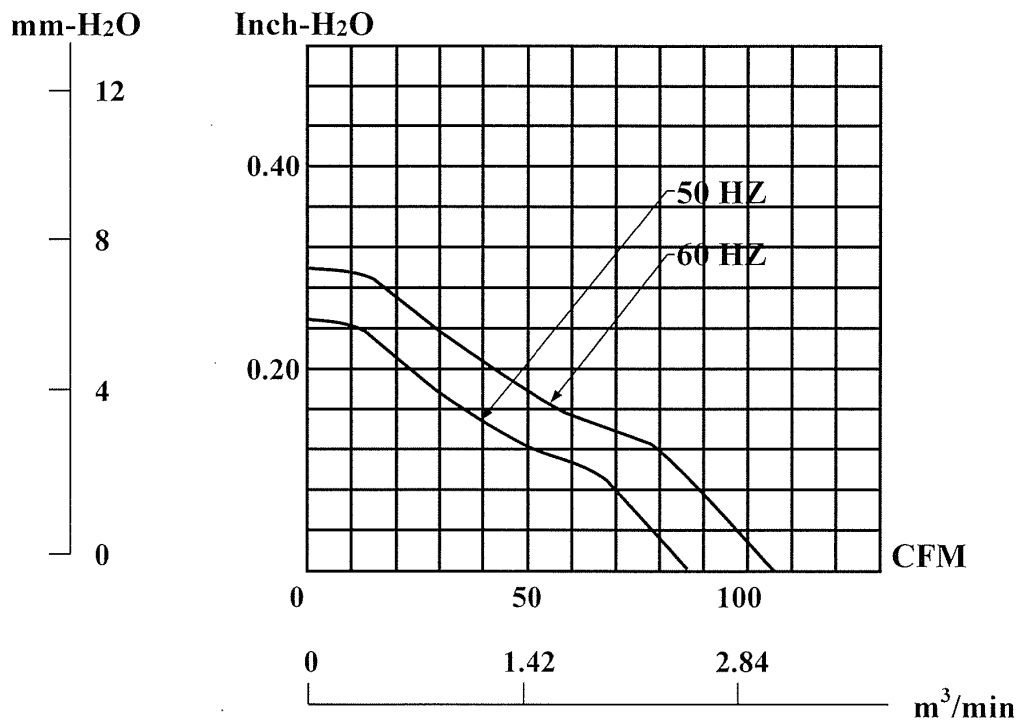


Characteristics

Motor Design	: Reliable Shaded-Pole Motor Construction
Insulation Resistance	: 500MΩ minimum at 500V DC
Dielectric Strength	: 1,800V AC for one second
Motor Protection	: Impedance protected
Noise Level	: Measured in an semi-an echoic chamber with background noise level below 15dB(A). The fan is running in free air with microphone at a distance of one meter from the fan intake
Tolerances	: ±15% on rated power and current
Air Performance	: Measured by a double chamber. The value are recorded when the fan speed is stabilized at rated voltage

Performance Curves

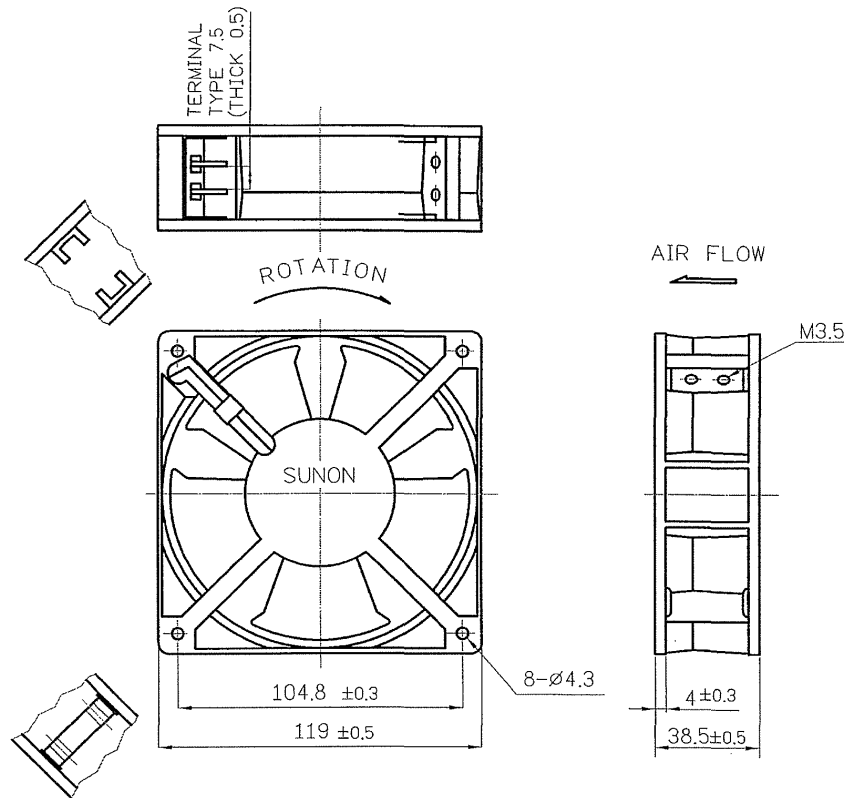
STATIC PRESSURE



Axial AC Fan



Dimensions



Air Flow Direction: Label side

Dimensions : Millimetres

Part Number Table

Description	Part Number
Axial Fan, 120mm, 115V AC	MC19679

Important Notice : This data sheet and its contents (the "Information") belong to the members of the Premier Farnell group of companies (the "Group") or are licensed to it. No licence is granted for the use of it other than for information purposes in connection with the products to which it relates. No licence of any intellectual property rights is granted. The Information is subject to change without notice and replaces all data sheets previously supplied. The Information supplied is believed to be accurate but the Group assumes no responsibility for its accuracy or completeness, any error in or omission from it or for any use made of it. Users of this data sheet should check for themselves the Information and the suitability of the products for their purpose and not make any assumptions based on information included or omitted. Liability for loss or damage resulting from any reliance on the Information or use of it (including liability resulting from negligence or where the Group was aware of the possibility of such loss or damage arising) is excluded. This will not operate to limit or restrict the Group's liability for death or personal injury resulting from its negligence. Multicomp is the registered trademark of the Group. © Premier Farnell plc 2012.

www.element14.com
 www.farnell.com
 www.newark.com

