

# DC Power Jack



**RoHS  
Compliant**



## Specifications:

### Electrical:

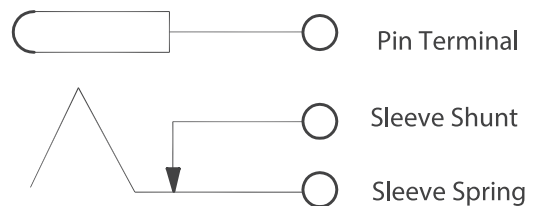
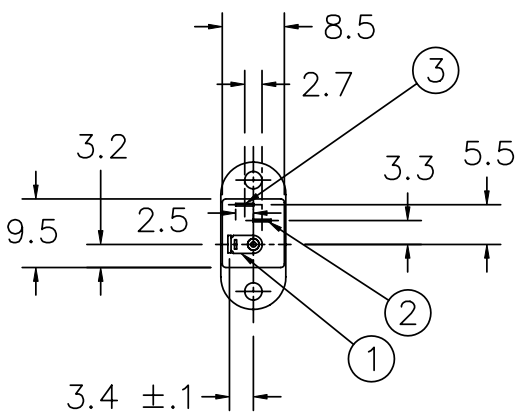
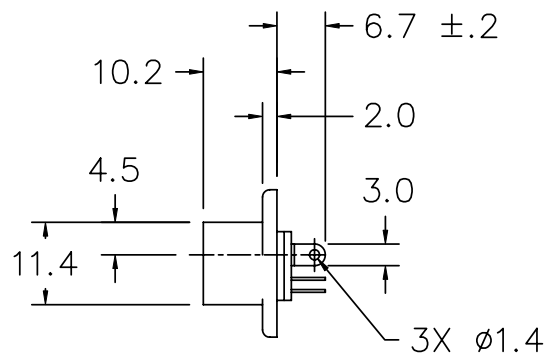
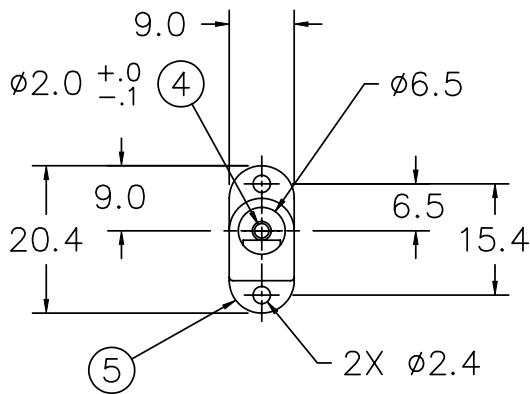
Voltage Rating : 16V DC  
 Current Rating : 5A  
 Contact Resistance : 30mΩ max.  
 Insulation Resistance : 100MΩ min. at 500V DC  
 Dielectric Strength : 500VAC

### Mechanical:

Insertion Force : 0.3kg to 3kg  
 Withdrawal Force : 0.3kg to 3.0 kg  
 Operating Life : 5,000 insertion / withdrawal cycles

### Environmental:

Operating Temperature : -25°C to 70°C



Item	Description	Material/Finish
1	Pin Terminal	Brass, Silver Plated
2	Sleeve Shunt	Brass, Silver Plated
3	Sleeve Spring	Phosphor Bronze, Silver Plated
4	Pin Terminal	Brass, Nickel Plated
5	Housing	PBT

Dimensions : Millimetres



## Part Number Table

Description	Part Number
Connector, DC Power, Jack, 5A	SPC21366

**Important Notice** : This data sheet and its contents (the "Information") belong to the members of the Premier Farnell group of companies (the "Group") or are licensed to it. No licence is granted for the use of it other than for information purposes in connection with the products to which it relates. No licence of any intellectual property rights is granted. The Information is subject to change without notice and replaces all data sheets previously supplied. The Information supplied is believed to be accurate but the Group assumes no responsibility for its accuracy or completeness, any error in or omission from it or for any use made of it. Users of this data sheet should check for themselves the Information and the suitability of the products for their purpose and not make any assumptions based on information included or omitted. Liability for loss or damage resulting from any reliance on the Information or use of it (including liability resulting from negligence or where the Group was aware of the possibility of such loss or damage arising) is excluded. This will not operate to limit or restrict the Group's liability for death or personal injury resulting from its negligence. Multicomp is the registered trademark of the Group. © Premier Farnell plc 2012.