



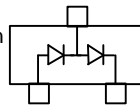
Micro Commercial Components

Micro Commercial Components  
 20736 Marilla Street Chatsworth  
 CA 91311  
 Phone: (818) 701-4933  
 Fax: (818) 701-4939

## Features

- Low Current Leakage
- Low Cost
- Small Outline Surface Mount Package
- Case Material: Molded Plastic. UL Flammability Classification Rating 94V-0
- Marking : M5C

Pin Configuration  
 Top View



## Maximum Ratings

- Operating Temperature: -55°C to +150°C
- Storage Temperature: -55°C to +150°C
- Maximum Thermal Resistance; 357K/W Junction To Ambient

Electrical Characteristics @ 25°C Unless Otherwise Specified

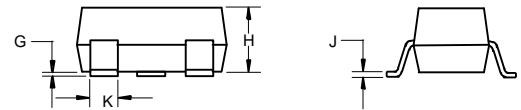
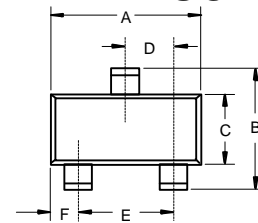
Reverse Voltage	$V_R$	100V	
Average Rectified Output Current	$I_O$	150mA	
Power Dissipation	$P_{TOT}$	350mW	
Peak Forward Surge Current	$I_{FSM}$	1.0A	$t=1s, Non\text{-}Repetitive$
Maximum Instantaneous Forward Voltage	$V_F$	820mV	$I_{FM} = 10mA;$ $T_J = 25^\circ C^*$
Maximum DC Reverse Current At Rated DC Blocking Voltage	$I_R$	1.0 $\mu A$ 100 $\mu A$	$V_R=50Volts$ $T_J = 25^\circ C$ $T_J = 125^\circ C$
Typical Junction Capacitance	$C_J$	2pF	Measured at 1.0MHz, $V_R=0V$
Reverse Recovery Time	$T_{rr}$	4nS	$I_F=10mA$ $V_R = 0V$ $R_L=500\Omega$

\*Pulse test: Pulse width 300  $\mu sec$ , Duty cycle 2%

# MMBD7000

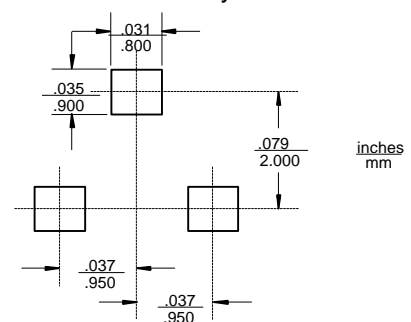
## 350mW 100Volt Dual Switching Diode

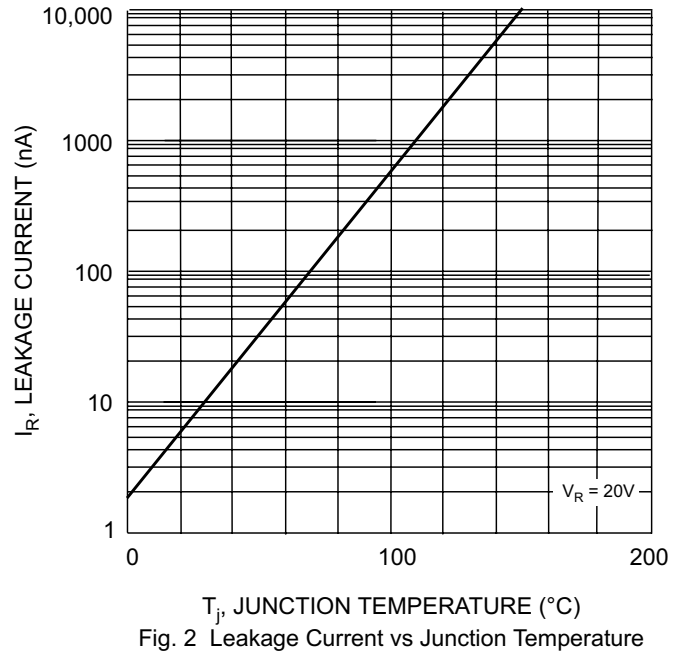
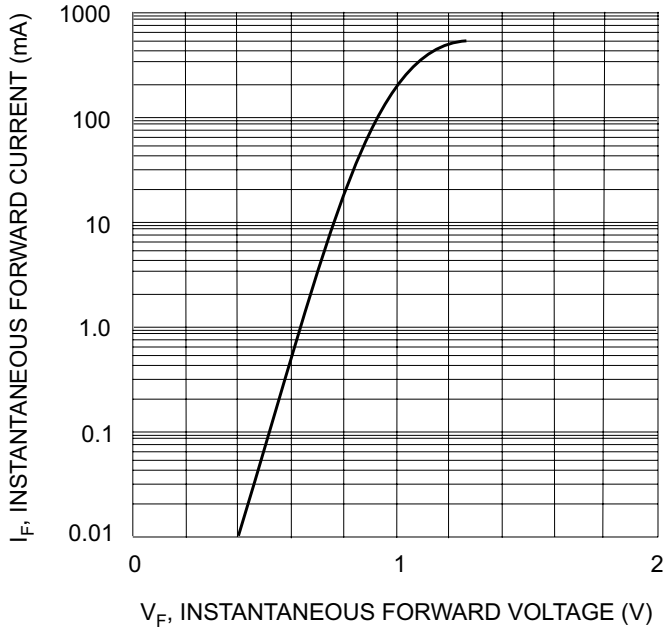
### SOT-23



DIM	INCHES		MM		NOTE
	MIN	MAX	MIN	MAX	
A	.110	.120	2.80	3.04	
B	.083	.098	2.10	2.64	
C	.047	.055	1.20	1.40	
D	.035	.041	.89	1.03	
E	.070	.081	1.78	2.05	
F	.018	.024	.45	.60	
G	.0005	.0039	.013	.100	
H	.035	.044	.89	1.12	
J	.003	.007	.085	.180	
K	.015	.020	.37	.51	

### Suggested Solder Pad Layout







Micro Commercial Components

**\*\*\*IMPORTANT NOTICE\*\*\***

*Micro Commercial Components Corp.* reserves the right to make changes without further notice to any product herein to make corrections, modifications, enhancements, improvements, or other changes. *Micro Commercial Components Corp.* does not assume any liability arising out of the application or use of any product described herein; neither does it convey any license under its patent rights, nor the rights of others. The user of products in such applications shall assume all risks of such use and will agree to hold *Micro Commercial Components Corp.* and all the companies whose products are represented on our website, harmless against all damages.

**\*\*\*APPLICATIONS DISCLAIMER\*\*\***

Products offer by *Micro Commercial Components Corp.* are not intended for use in Medical, Aerospace or Military Applications.