

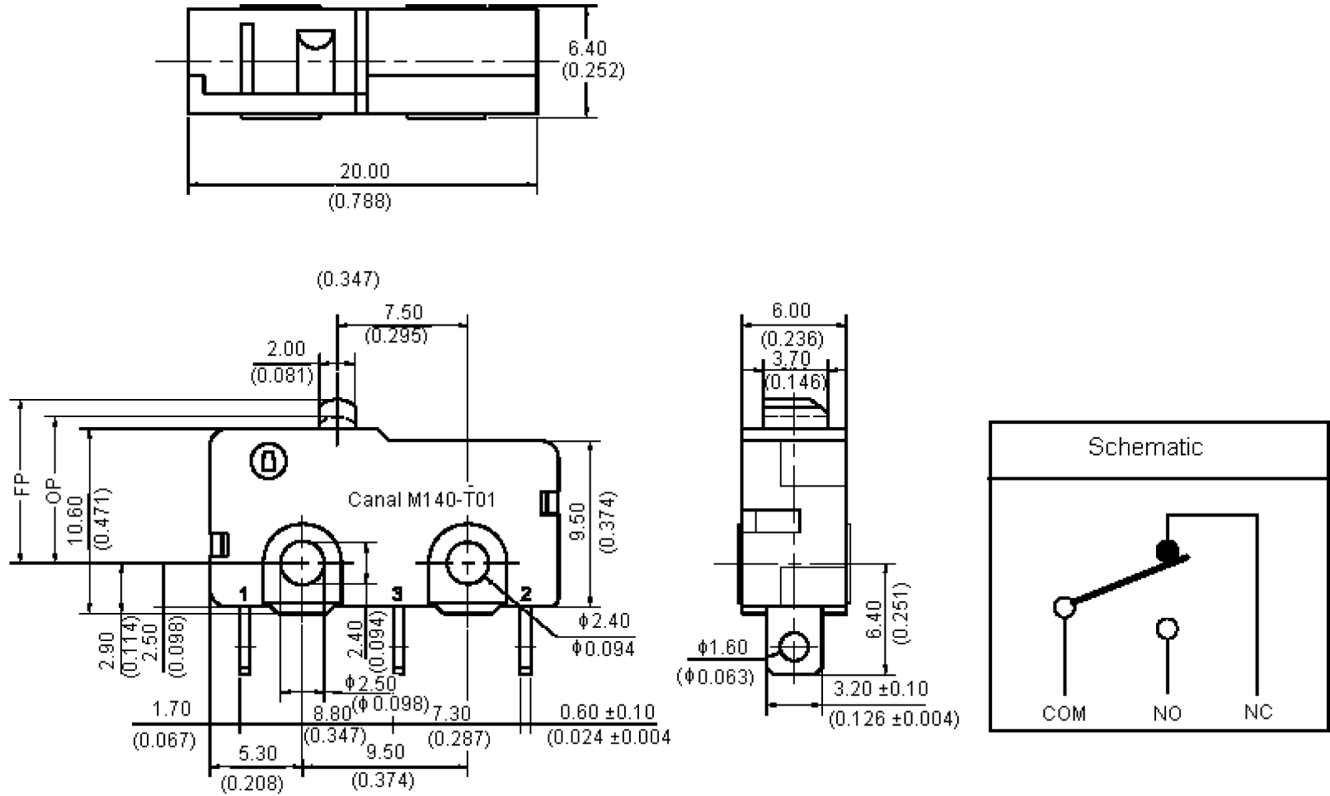
Microswitch SPDT, Button



Specifications:

Rating	: 5A, 125/250V AC : 5(2)A, 125/250V AC (NEMKO/ENEC/CQC) : 40T125 μ 5E4
Maximum Contact Resistance	: 500M Ω
Insulation Resistance	: >100M Ω 500V DC
Withstand Voltage	: 1,000V AC for 1 minute
Operating Frequency	: Mechanical 60 operations/minute : Electrical 6 to 12 operation/minute
Ambient Temperature	: -25°C to +85°C
Ambient Humidity	: \leq 85%RH
Mechanical Life	: 1,000,000 cycles
Electrical Life (at rate load)	: 50,000 cycles
Contact Configuration	: SPDT
Microswitch Type	: Snap Action
Switch Operation	: Off-On
Operating Force Max	: 210gf
Switch Terminals	: Solder
Contact Resistance	: 50m Ω
External Depth	: 6.4mm
External Width	: 19.8mm
Height	: 10.6mm
Operating Force	: 2.06N
Pre-travel	: 1.1mm
Series	: M140T01
Switch Case	: PBT (Polybutylene Terephthalate)

Microswitch SPDT, Button



Note: Tolerances unless otherwise specified: $\pm 0.016/0.4$ inches/mm

Dimensions: Millimetres

Part Number Table

Description	Operating force (gf)					OP (mm)	Max. FP (mm)	Part number
	A	B	C	D	E			
Microswitch, SPDT, 5A, Button	80	130	160	200	250	8.4 ± 0.5	9.4	M140T01-AD0500A

Important Notice : This data sheet and its contents (the "Information") belong to the members of the Premier Farnell group of companies (the "Group") or are licensed to it. No licence is granted for the use of it other than for information purposes in connection with the products to which it relates. No licence of any intellectual property rights is granted. The Information is subject to change without notice and replaces all data sheets previously supplied. The Information supplied is believed to be accurate but the Group assumes no responsibility for its accuracy or completeness, any error in or omission from it or for any use made of it. Users of this data sheet should check for themselves the Information and the suitability of the products for their purpose and not make any assumptions based on information included or omitted. Liability for loss or damage resulting from any reliance on the Information or use of it (including liability resulting from negligence or where the Group was aware of the possibility of such loss or damage arising) is excluded. This will not operate to limit or restrict the Group's liability for death or personal injury resulting from its negligence. Multicomp is the registered trademark of the Group. © Premier Farnell plc 2012.

www.element14.com
www.farnell.com
www.newark.com

