

**RoHS  
Compliant**



## Specifications:

Rated Voltage	: 220 to 240V AC 50/60Hz
Operating Voltage Range	: 185 to 245V AC
Starting Voltage	: 185V AC
Rated Speed	: 2,700/3,100RPM $\pm$ 10%
Air Delivery	: 95/115 CFM
Static Pressure	: 0.33/0.38"-H2O
Rated Current	: 0.14/0.12A
Rated Power	: 22/21W
Noise Level	: 44/49 dB(A)
Current Rating	: 140mA
Flow Rate	: 3.22m <sup>3</sup> /min
Direction of Rotation	: Counter - Clockwise Viewed from front of Fan Blade
Operating Temperature	: -10°C to +70°C
Storage Temperature	: -40°C to +70°C
Bearing System	: Lubricated Sleeve Bearing System
Weight	: 550g
Vibration	: Vibration of Acceleration 1.5G and Frequency 5-5-Hz -s applied in all 3 Directions (X,Y,Z), In Cycles of 1 Minute Each for a Total Vibration time of 30 Minutes
External Height	: 119mm
External Width	: 119mm
External Depth	: 38.5mm
Power Connection Type	: Terminals

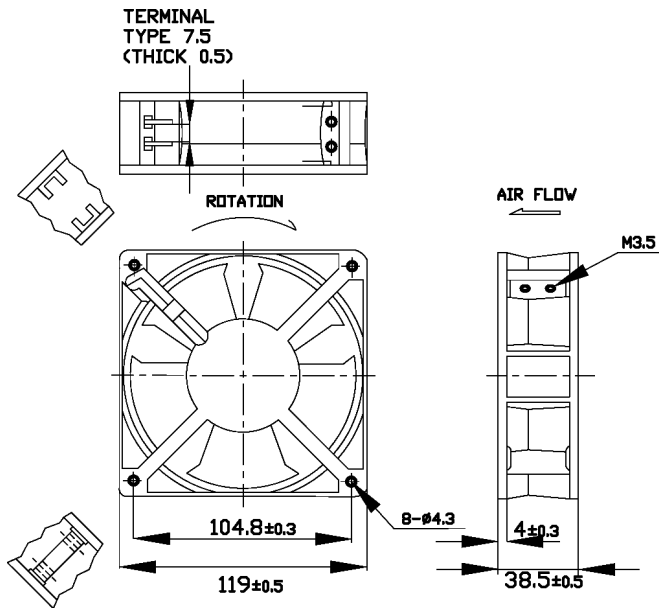
## Characteristics:

1. Motor Design	: Reliable Shaded-Pole Motor Construction
2. Insulation Resistance	: 500M $\Omega$ Minimum at 500V DC
3. Dielectric Strength	: 1,800V AC For One Second
4. Motor Protection	: Impedance Protected
5. Noise Level	: Measured in a semi- anechoic chamber with background noise level below 15 dB(A). The fan is running in free air with the microphone at a distance of one meter from the fan intake
6. Tolerance	: $\pm$ 15% on rated power and current
7. Air Performance	: Measured by a double chamber. The Values are recorded when the fan speed has stabilized at rated voltage

## Material:

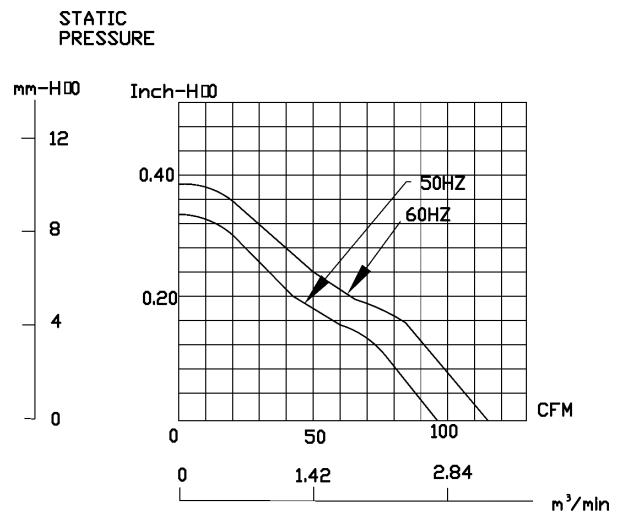
Frame	: DIE-CAST Aluminium
Impeller	: Thermoplastic PBT

## Air Direction Toward Label Side



Dimensions : Inches (Millimetres)

## Performance Curves



## Part Number Table

Description	Part Number
Fan, Axial, AC, 120mm, 240V	MC19685

**Important Notice :** This data sheet and its contents (the "Information") belong to the members of the Premier Farnell group of companies (the "Group") or are licensed to it. No licence is granted for the use of it other than for information purposes in connection with the products to which it relates. No licence of any intellectual property rights is granted. The Information is subject to change without notice and replaces all data sheets previously supplied. The Information supplied is believed to be accurate but the Group assumes no responsibility for its accuracy or completeness, any error in or omission from it or for any use made of it. Users of this data sheet should check for themselves the Information and the suitability of the products for their purpose and not make any assumptions based on information included or omitted. Liability for loss or damage resulting from any reliance on the Information or use of it (including liability resulting from negligence or where the Group was aware of the possibility of such loss or damage arising) is excluded. This will not operate to limit or restrict the Group's liability for death or personal injury resulting from its negligence. Multicomp is the registered trademark of the Group. © Premier Farnell plc 2012.