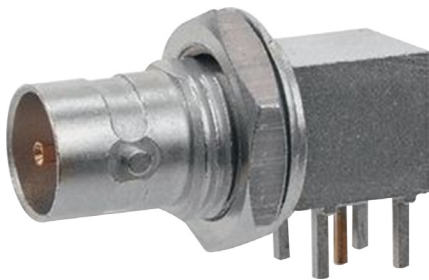


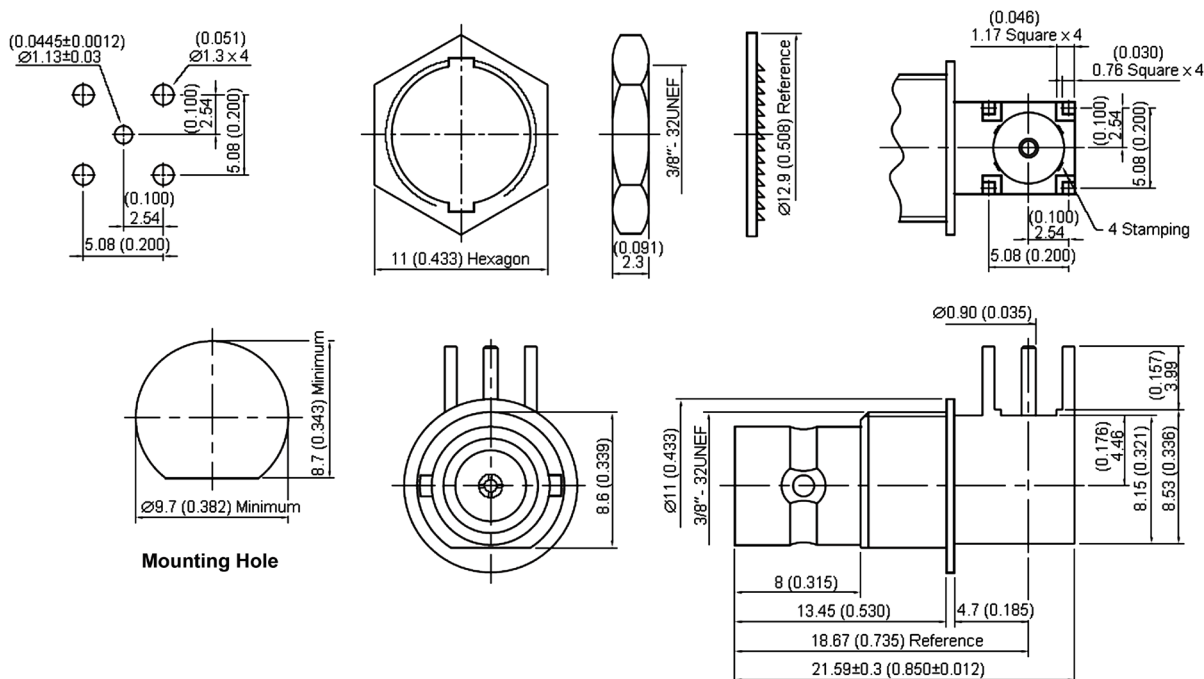
Mini BNC Jack Bulkhead



Specifications:

Connector Type	: BNC Coaxial
Coaxial Termination	: Through Hole Right Angle
Impedance	: 75Ω
Contact Material	: Phosphor Bronze
Contact Plating	: Gold
Frequency Max	: 2GHz
Connector Mounting	: Panel
Body Plating	: Nickel
Coaxial Connector Type	: Mini BNC
Connector Mounting Orientation	: Panel
Contact Resistance	: 12mΩ
Insulation Resistance	: 1,000MΩ
Insulator Material	: PTFE
Mounting Orientation	: Horizontal
Mounting Type	: PC Board
No. of Mating Cycles	: 500
Operating Temperature	: -40°C to +85°C
Plug Body Material	: Brass
Termination Method	: Solder
VSWR	: 1.16
Voltage Rating	: 400V AC
Withstand Voltage	: 1,000V

Mini BNC Jack Bulkhead



Dimensions : Millimetres (Inches)

Number	Description	Material	Finish
1	Nut	Brass	Nickel 100 μ " Min.
2	Washer	Iron	
3	Washer	Brass	
4	Insulation I	PTFE	None
5	Centre Contact	Phosphor Bronze	Gold
6	Body I	Brass	Nickel 100 μ " Min.
7	Body II		
8	Insulation II	PTFE	None

Part Number Table

Description	Part Number
Jack, Mini, BNC, Bulkhead, PCB, R/A	56-07-TGN

Important Notice : This data sheet and its contents (the "Information") belong to the members of the Premier Farnell group of companies (the "Group") or are licensed to it. No licence is granted for the use of it other than for information purposes in connection with the products to which it relates. No licence of any intellectual property rights is granted. The Information is subject to change without notice and replaces all data sheets previously supplied. The Information supplied is believed to be accurate but the Group assumes no responsibility for its accuracy or completeness, any error in or omission from it or for any use made of it. Users of this data sheet should check for themselves the Information and the suitability of the products for their purpose and not make any assumptions based on information included or omitted. Liability for loss or damage resulting from any reliance on the Information or use of it (including liability resulting from negligence or where the Group was aware of the possibility of such loss or damage arising) is excluded. This will not operate to limit or restrict the Group's liability for death or personal injury resulting from its negligence. Multicomp is the registered trademark of the Group. © Premier Farnell plc 2012.

www.element14.com
www.farnell.com
www.newark.com

