

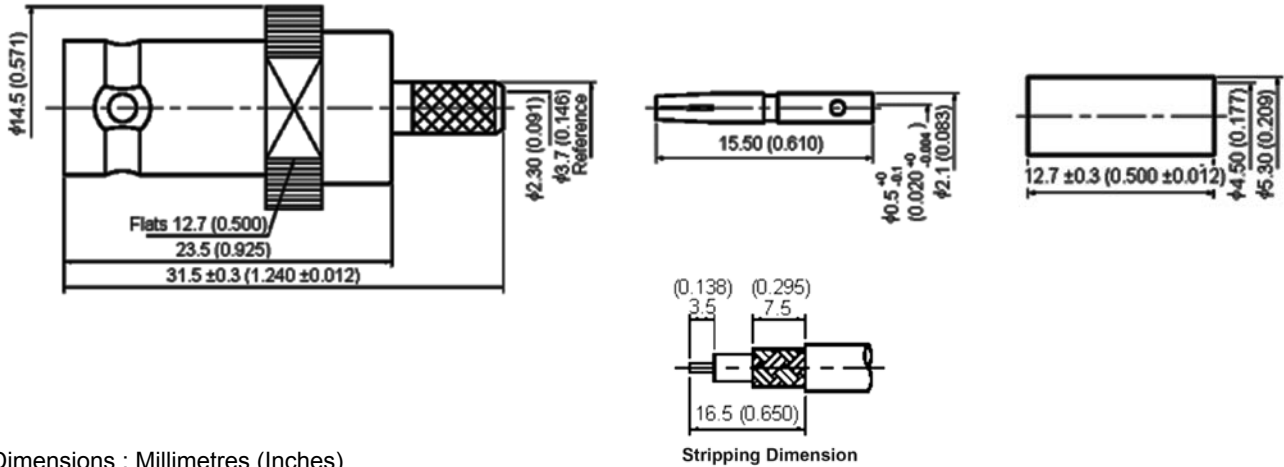
BNC Jack Crimp



Specifications:

Connector Type	: BNC Coaxial
Body Style	: Straight Jack
Coaxial Termination	: Crimp
Impedance	: 75Ω
Contact Material	: Brass
Contact Plating	: Silver
Frequency Max	: 11GHz
Connector Mounting	: Cable
Body Plating	: Silver
Cable Diameter Max	: 2.54mm
Coaxial Type	: RG179
Contact Resistance	: 1.5mΩ
DC Current Max	: 1A
Insulator Material	: PTFE
Material	: Brass with Silicone Gasket
Operating Temperature	: -65°C to +165°C
Proof Voltage	: 2kV
Termination Method	: Crimp
VSWR	: 1.35
Working Voltage	: 500V

BNC Jack Crimp



Dimensions : Millimetres (Inches)

Stripping Dimension

Number	Description	Material	Finish
1	Crimp Ferrule	Brass	Silver 70 μ m Min.
2	Centre Contact	Beryllium Copper	
3	Body	Brass	
4	Insulation	PTFE	None
5	Chassis	Brass	Silver 70 μ m Min.

Part Number Table

Description	Part Number
Jack BNC, Crimp, 75R	13-15-1 TSS RG179U

Important Notice : This data sheet and its contents (the "Information") belong to the members of the Premier Farnell group of companies (the "Group") or are licensed to it. No licence is granted for the use of it other than for information purposes in connection with the products to which it relates. No licence of any intellectual property rights is granted. The Information is subject to change without notice and replaces all data sheets previously supplied. The Information supplied is believed to be accurate but the Group assumes no responsibility for its accuracy or completeness, any error in or omission from it or for any use made of it. Users of this data sheet should check for themselves the Information and the suitability of the products for their purpose and not make any assumptions based on information included or omitted. Liability for loss or damage resulting from any reliance on the Information or use of it (including liability resulting from negligence or where the Group was aware of the possibility of such loss or damage arising) is excluded. This will not operate to limit or restrict the Group's liability for death or personal injury resulting from its negligence. Multicomp is the registered trademark of the Group. © Premier Farnell plc 2012.

www.element14.com
www.farnell.com
www.newark.com

