

Locking Plug

Right Angle, 5.08mm

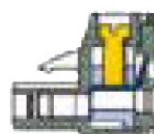


Specifications:

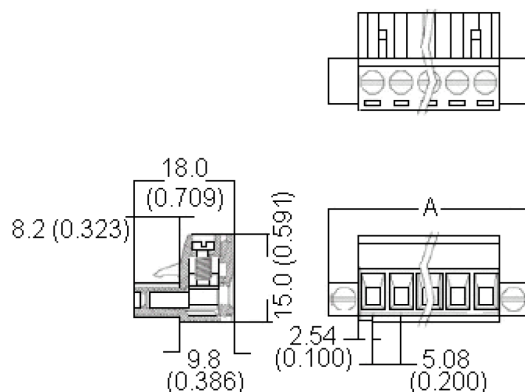
Connector Type	: Terminal Block
Series	: MC101 5080
Contact Termination	: Free Hanging
Gender	: Plug
Pitch Spacing	: 5.08mm
Connector Mounting Orientation	: PC Board
Terminal Type	: Cage Clamp

Technical Data

Rated Voltage	300V AC
Rated Current	16A
Wire Size	24AWG- 2 AWG
Housing Material	Polyamide 6.6
Cage Clamp	Brass, Ni Plated
Contact	Phosphor Bronze, Tin Plated
Screw Size	M3.0, Steel, Zinc Plated
Operating Temperature	-40°C to +105°C
Torque	7lb-Inch



Pitch: 5.08mm (0.2")



A	Part Number
25.4 (1)	MC101 508003
30.5 (1.2)	MC101 508004
35.6 (1.4)	MC101 508005
40.6 (1.6)	MC101 508006
50.8 (2)	MC101 508008
61.0 (2.4)	MC101 508010
71.1 (2.8)	MC101 508012

Dimensions : Millimetres (Inches)

PCB Layout

Dimensions : Millimetres (Inches)

www.element14.com
www.farnell.com
www.newark.com



Locking Plug

Right Angle, 5.08mm



Part Number Table

Description	Part Number
Locking Plug, 5.08mm, 3Way, R/A	MC101 508003
Locking Plug, 5.08mm, 4Way, R/A	MC101 508004
Locking Plug, 5.08mm, 5Way, R/A	MC101 508005
Locking Plug, 5.08mm, 6Way, R/A	MC101 508006
Locking Plug, 5.08mm, 8Way, R/A	MC101 508008
Locking Plug, 5.08mm, 10Way, R/A	MC101 508010
Locking Plug, 5.08mm, 12Way, R/A	MC101 508012

Important Notice : This data sheet and its contents (the "Information") belong to the members of the Premier Farnell group of companies (the "Group") or are licensed to it. No licence is granted for the use of it other than for information purposes in connection with the products to which it relates. No licence of any intellectual property rights is granted. The Information is subject to change without notice and replaces all data sheets previously supplied. The Information supplied is believed to be accurate but the Group assumes no responsibility for its accuracy or completeness, any error in or omission from it or for any use made of it. Users of this data sheet should check for themselves the Information and the suitability of the products for their purpose and not make any assumptions based on information included or omitted. Liability for loss or damage resulting from any reliance on the Information or use of it (including liability resulting from negligence or where the Group was aware of the possibility of such loss or damage arising) is excluded. This will not operate to limit or restrict the Group's liability for death or personal injury resulting from its negligence. Multicomp is the registered trademark of the Group. © Premier Farnell plc 2012.

www.element14.com
www.farnell.com
www.newark.com

