

BNC Straight Plug Crimp



RoHS
Compliant



Specifications:

Connector Type	: BNC Coaxial
Body Style	: Straight Plug
Coaxial Termination	: Crimp / Solder
Coaxial Cable Types	: Belden 1505A
Connector Mounting	: Cable
Connector Mounting Orientation	: Straight

Electrical:

Frequency Range	: DC-4 GHz
Nominal Impedance	: 75Ω
Max. Working Voltage	: 300V
Proof Voltage	: 1,000V
Max. VSWR	: 1.1

Materials:

Bodies	: Brass per JIS-C3604
Centre Contact	: Brass per JIS-C3604
Insulation	: PTFE per ASTM D1457 and ASTM D1710
Crimp Ferrule	: Brass per JIS-C2700

Mechanical:

For Use with 1694A or Similar Style Cable

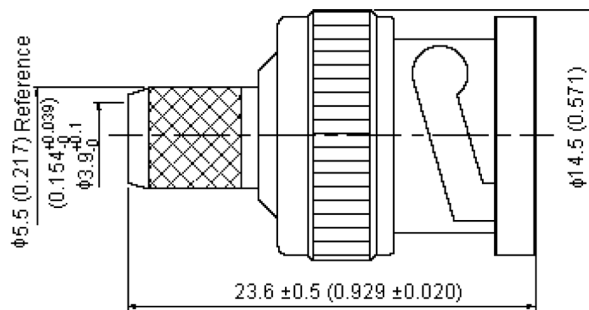
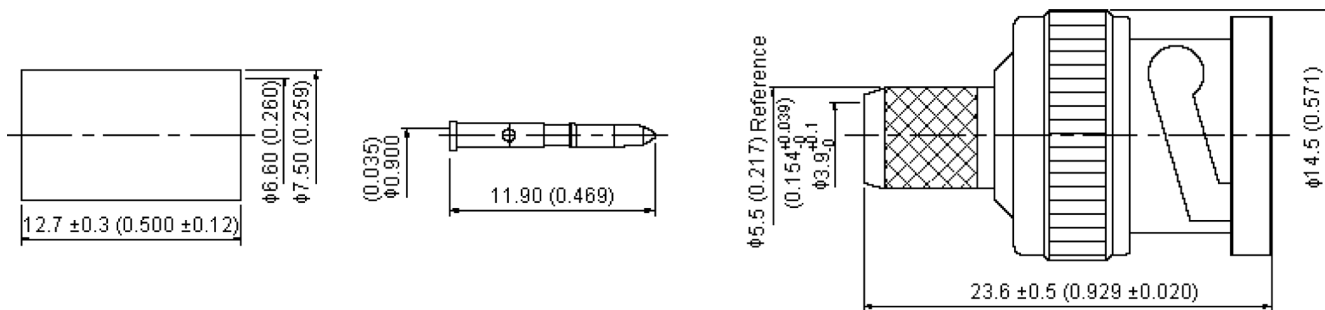
Cable Attachment	: Outer : Crimp : Inner : Solder
Crimp Size Required	: Contact : Solder Ferrule : 6.5 (0.256) Hex. crimp tool

Environmental:

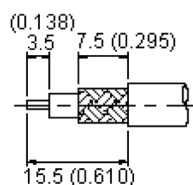
Operating Temperature Range	: -65°C to +165°C
-----------------------------	-------------------



BNC Straight Plug Crimp



Dimensions : Millimetres (Inches)



Stripping Dimensions

Item	Description	Material	Finish
1	Body	Brass	Nickel 100µ Inches Min.
2	Washer		Nickel
3	Spring Washer	Beryllium Copper	None
4	Washer	Brass	Nickel
5	Gasket	Silicone	Red
6	Insulation	PTFE	None
7	Shell	Zinc	Nickel 100µ Inches Min.
8	Crimp Ferrule	Brass	Nickel
9	Centre Contact		Gold

Part Number Table

Description	Part Number
Plug, BNC, Crimp, HDTV, RG59U-1505A	13-10-73 TGZ 1505A

Important Notice : This data sheet and its contents (the "Information") belong to the members of the Premier Farnell group of companies (the "Group") or are licensed to it. No licence is granted for the use of it other than for information purposes in connection with the products to which it relates. No licence of any intellectual property rights is granted. The Information is subject to change without notice and replaces all data sheets previously supplied. The Information supplied is believed to be accurate but the Group assumes no responsibility for its accuracy or completeness, any error in or omission from it or for any use made of it. Users of this data sheet should check for themselves the Information and the suitability of the products for their purpose and not make any assumptions based on information included or omitted. Liability for loss or damage resulting from any reliance on the Information or use of it (including liability resulting from negligence or where the Group was aware of the possibility of such loss or damage arising) is excluded. This will not operate to limit or restrict the Group's liability for death or personal injury resulting from its negligence. Multicomp is the registered trademark of the Group. © Premier Farnell plc 2012.

www.element14.com
www.farnell.com
www.newark.com

