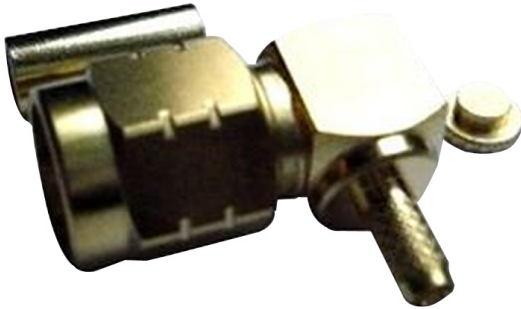


# SMA Right Angle Plug Crimp

RoHS  
Compliant



## Specifications:

### Electrical:

Frequency Range	: DC-3 GHz
Nominal Impedance	: 50Ω
Max. Working Voltage	: 335V
Proof Voltage	: 750V
Max. VSWR	: 1.24

### Materials:

Bodies	: Beryllium copper per ASTM B196 UNS C17300
Centre Contact	: Beryllium copper per ASTM B196 UNS C17300
Insulation	: PTFE per ASTM D1457 and ASTM D1710
Crimp Ferrule	: Brass per JIS-C2700

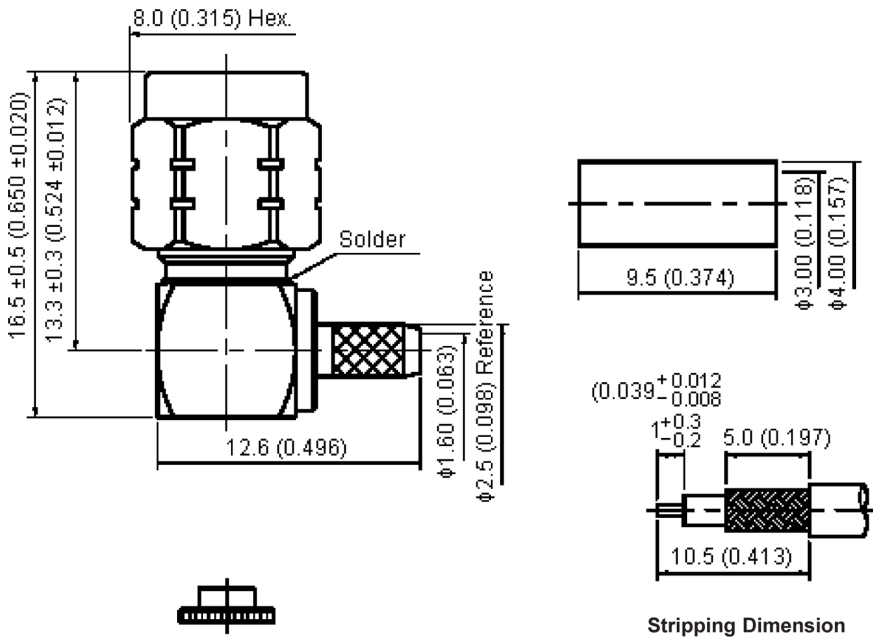
### Mechanical:

Interface in Accordance with	: MIL-STD-348A
For Use with 174U or Similar Style Cable	
Cable Attachment	: Outer : Crimp Inner : Solder/Crimp
Recommended Coupling Torque	: 3 to 5 in-lbs
Min. Cable Retention 15 lbs	
Crimp Size Required	: Ferrule : 3.5 (0.138) Hex. Crimp tool

### Environmental:

Operating Temperature Range	: -65°C to +165°C
-----------------------------	-------------------

# SMA Right Angle Plug Crimp



Stripping Dimension

Dimensions : Millimetres (Inches)

Item	Description	Material	Finish
1	Cap	Beryllium Copper	Gold 3μ" Min. over Electroless Nickel 50μ" Min.
2	Body		
3	Centre Contact		
4	Chassis		
5	Insulation	PTFE	None
6	Washer	Beryllium Copper	
7	Gasket	Silicone	
8	Shell	Beryllium Copper	Gold 3μ" Min. over Electroless Nickel 50μ" Min.
9	Crimp Ferrule	Brass	

## Part Number Table

Description	Part Number
SMA Right Angle Plug Crimp	60-02L TGG

**Important Notice :** This data sheet and its contents (the "Information") belong to the members of the Premier Farnell group of companies (the "Group") or are licensed to it. No licence is granted for the use of it other than for information purposes in connection with the products to which it relates. No licence of any intellectual property rights is granted. The Information is subject to change without notice and replaces all data sheets previously supplied. The Information supplied is believed to be accurate but the Group assumes no responsibility for its accuracy or completeness, any error in or omission from it or for any use made of it. Users of this data sheet should check for themselves the Information and the suitability of the products for their purpose and not make any assumptions based on information included or omitted. Liability for loss or damage resulting from any reliance on the Information or use of it (including liability resulting from negligence or where the Group was aware of the possibility of such loss or damage arising) is excluded. This will not operate to limit or restrict the Group's liability for death or personal injury resulting from its negligence. Multicomp is the registered trademark of the Group. © Premier Farnell plc 2012.