

Crimp Terminal Kit



Crimp Terminal Kit – 500 piece – XT21-500

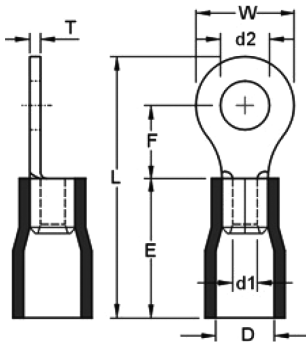
Kit Contents:

Vinyl-Insulated Ring Terminals



Specifications:

Max. Electric Current	A.W.G.	22	20	18	16	14	12	10	8	6	4	2
	AMP.	9	12	17	18	30	35	50	70	95	125	170
Max. Electrical Rating	: 105°C 600V Max.											
Insulation Material	: Vinyl											
Terminal Material	: Copper											
Seam	: Butted											
Insulation Colour	: 22-16A.W.G. : Red, 16-14A.W.G. : Blue, 14-12A.W.G. : Black, 12-10A.W.G. : Yellow, 8A.W.G. : Red, 6A.W.G. : Blue, 4A.W.G. : Yellow, 2A.W.G. : Red											



Part Number	Wire Range	Stud Size	Dimensions								Qty
			d2	W	F	L	E	D	d1	T	
RV1-5	22-16 AWG	#10	0.209"	0.315"	0.276"	0.819"	0.394"	0.157"	0.067"	0.03"	25
	0.5-1.5 mm ²		5.3mm	8mm	7mm	20.8mm	10mm	4mm	1.7mm	0.75mm	
RVL2-5	16-14 AWG	#10	0.209"	0.374"	0.287"	0.858"	0.394"	0.177"	0.091"	0.031"	25
	1.5-2.5 mm ²		5.3mm	9.5mm	7.3mm	21.8mm	10mm	4.5mm	2.3mm	0.8mm	
RV2-6	16-14 AWG	1/4	0.252"	0.472"	0.433"	1.055"	0.394"	0.177"	0.091"	0.031"	25
	1.5-2.5 mm ²		6.4mm	12mm	11mm	26.8mm	10mm	4.5mm	2.3mm	0.8mm	
RV5-5	12-10 AWG	#10	0.209"	0.374"	0.327"	1.024"	0.512"	0.252"	0.134"	0.039"	13
	4-6 mm ²		5.3mm	9.5mm	8.3mm	26mm	13mm	6.4mm	3.4mm	1mm	
RV5-10	12-10 AWG	3/8	0.413"	0.591"	0.524"	1.339"	0.3512"	0.252"	0.134"	0.039"	12
	4-6 mm ²		10.5mm	15mm	13.3mm	34mm	13mm	6.4mm	3.4mm	1mm	



Crimp Terminal Kit



Vinyl-Insulated Spade Terminals



Specifications:

Max. Electric Current	A.W.G.	22	20	18	16	14	12	10
	AMP.	9	12	17	18	30	35	50

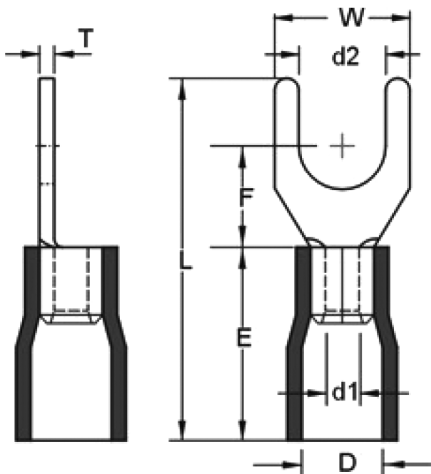
Max. Electrical Rating : 105°C 600V Max.

Insulation Material : Vinyl

Terminal Material : Copper

Seam : Butted

Insulation Colour : 22-16A.W.G. : Red, 16-14A.W.G. : Blue, 14-12A.W.G. : Black, 12-10A.W.G. : Yellow



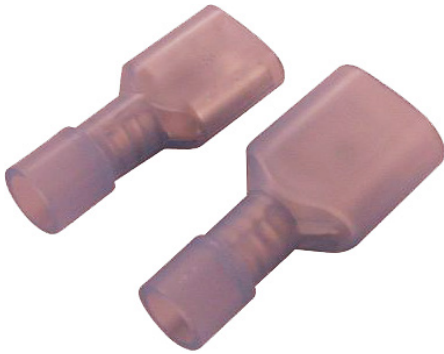
Part Number	Wire Range	Stud Size	Dimensions								Qty
			d2	W	F	L	E	D	d1	T	
SVL1-5	22-16 AWG	#10	0.209"	0.374"	0.256"	0.827"	0.394"	0.157"	0.067"	0.03"	25
	0.5-1.5 mm ²		5.3mm	9.5mm	6.5mm	21mm	10mm	4mm	1.7mm	0.75mm	
SVL2-5	16-14 AWG	#10	0.209"	0.366"	0.256"	0.827"	0.394"	0.177"	0.091"	0.31"	25
	1.5-2.5 mm ²		5.3mm	9.3mm	6.5mm	21mm	10mm	4.5mm	2.3mm	0.8mm	
SV5-5	12-10 AWG	#10	0.209"	0.354"	0.276"	1.004"	0.512"	0.252"	0.134"	0.039"	13
	4-6 mm ²		5.3mm	9mm	7mm	25.5mm	13mm	6.4mm	3.4mm	1mm	



Crimp Terminal Kit

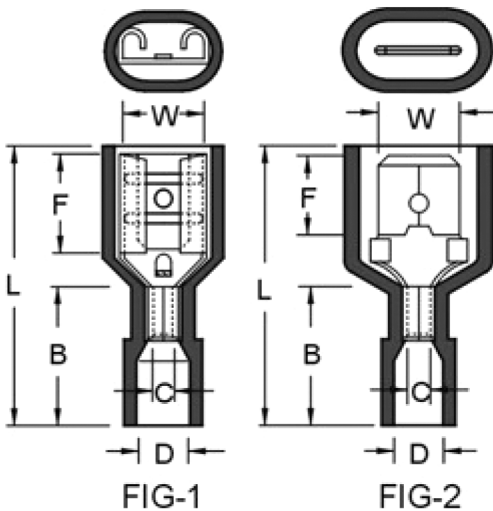


Nylon-Fully Insulated Female & Male Disconnectors



Specifications:

Max. Electric Current	:	A.W.G.	22	20	18	16	14	12	10
		AMP.	3	4	7	10	15	20	24
Max. Electrical Rating	:	105°C 300V Max.							
Insulation Material	:	Nylon							
Terminal Material	:	Brass							
Insulation Colour	:	22-16A.W.G. : Red, 16-14A.W.G. : Blue, 12-10A.W.G. : Yellow							
Terminal Barrel I.D	:	22-16A.W.G.: C=1.7mm, 16-14A.W.G.: C=2.3mm, 12-10A.W.G.: C=3.4mm							



Part Number	Wire Range	NEMA TAB	Dimension		Figure	Qty
			W	L		
FDFN2-250 (Female)	16-14 AWG	0.32 × 0.25"	0.26"	0.866"	1	12
	1.5-2.5mm ²	0.8 × 6.35mm	6.60mm	22.0mm		
MDFN2-250 (Male)	16-14 AWG	0.32 × 0.25"	0.25"	0.945"	2	13
	1.5-2.5mm ²	0.8 × 6.35mm	6.35mm	24mm		



Crimp Terminal Kit

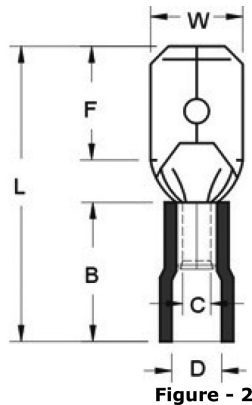
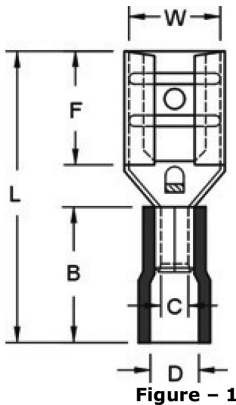


Vinyl - Insulated Male & Female Disconnectors



Specifications:

Max. Electric Current	A.W.G.	22	20	18	16	14	12	10
	AMP.	3	4	7	10	15	20	24
Max. Electrical Rating	: 75°C 300V Max.							
Insulation Material	: Brass							
Terminal Material	: Brass							
Insulation Colour	: 22-16A.W.G. : Red, 16-14A.W.G. : Blue, 12-10A.W.G. : Yellow							
Terminal Barrel I.D	: 22-16A.W.G.: C=1.7mm, 16-14A.W.G.: C=2.3mm, 12-10A.W.G.: C=3.4mm							



Part Number	Wire Range	NEMA TAB	Dimension		Figure	Qty
			W	L		
FDV1-250 (Female)	22-16 AWG	0.32 × 0.25"	0.26"	0.807"	1	25
	0.5-1.5mm ²	0.8 × 6.35mm	6.60mm	20.5mm		
FDV2-250 (Female)	16-14 AWG	0.32 × 0.25"	0.26"	0.807"	1	25
	1.5-2.5mm ²	0.8 × 6.35mm	6.60mm	20.5mm		
FDV5-250 (Female)	12-10 AWG	0.32 × 0.25"	0.26"	0.925"	1	12
	4-6mm ²	0.8 × 6.35mm	6.60mm	23.5mm		
MDV1-250 (Male)	22-16 AWG	0.32 × 0.25"	0.25"	0.827"	2	25
	0.5-1.5mm ²	0.8 × 6.35mm	6.35mm	21.0mm		
MDV2-250 (Male)	16-14 AWG	0.32 × 0.25"	0.25"	0.827"	2	25
	1.5-2.5mm ²	0.8 × 6.35mm	6.60mm	21.0mm		
MDV5-250 (Male)	12-10 AWG	0.32 × 0.25"	0.25"	0.925"	2	13
	4-6mm ²	0.8 × 6.35mm	6.35mm	23.5mm		



Crimp Terminal Kit



Vinyl – Fully Insulated Receptacle Disconnectors



Specifications:

Max. Electric Current	A.W.G.	22	20	18	16	14	12	10
	AMP.	3	4	7	10	15	20	24

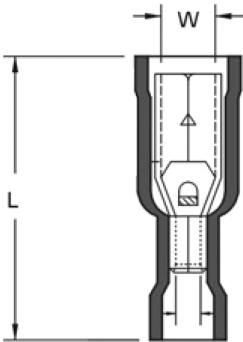
Max. Electrical Rating : 75°C 600V Max.

Insulation Material : Vinyl

Terminal Material : Brass

Insulation Colour : 22-16A.W.G. : Red, 16-14A.W.G. : Blue,
12-10A.W.G. : Yellow

Terminal Barrel I.D : 22-16A.W.G.: C=1.7mm, 16-14A.W.G.: C=2.3mm,
12-10A.W.G.: C=3.4mm



Part Number	Wire Range	Dimension		Qty
		W	L	
FRV2-156	16-14 AWG	0.154"	0.925"	12
	1.5-2.5mm ²	3.9mm	23.5mm	

Vinyl - Insulated Bullet Disconnectors



Specifications:

Max. Electric Current	A.W.G.	22	20	18	16	14	12	10
	AMP.	3	4	7	10	15	20	24

Max. Electrical Rating : 75°C 600V Max.

Insulation Material : Vinyl

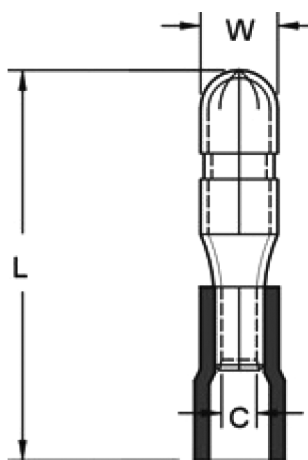
Terminal Material : Brass

Insulation Colour : 22-16A.W.G. : Red, 16-14A.W.G. : Blue,
12-10A.W.G. : Yellow

Terminal Barrel I.D : 22-16A.W.G.: C=1.7mm, 16-14A.W.G.: C=2.3mm,
12-10A.W.G.: C=3.4mm

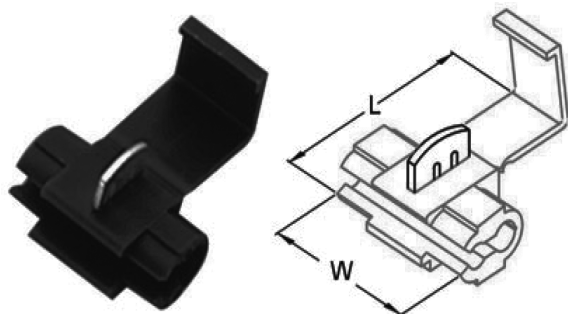


Crimp Terminal Kit



Part Number	Wire Range	Dimension		Qty
		W	L	
MPV2-156	16-14 AWG	0.154"	0.827"	12
	1.5-2.5mm ²	3.9mm	21mm	

Quick Splice Connectors



Specifications:

Max. Electric Current	A.W.G.	22	20	18	16	14	12	10
	AMP.	3	4	7	10	15	20	24
Max. Electrical Rating	: 105°C 600V Max.							
Insulation Material	: P.P							
Terminal Material	: Brass							
Insulation Colour	: 22-18A.W.G. : Red, 18-14A.W.G. : Blue, 12-10A.W.G. : Yellow							

Part Number	Wire Range	Dimension		Qty
		W	L	
878101	18-14 AWG	0.472"	0.772"	8
	0.75-2.5mm ²	12mm	19.6mm	



Crimp Terminal Kit



Vinyl – Insulated Butt Splice Connectors



Specifications:

Max. Electric Current	A.W.G.	22	20	18	16	14	12	10
	AMP.	3	4	7	10	15	20	24

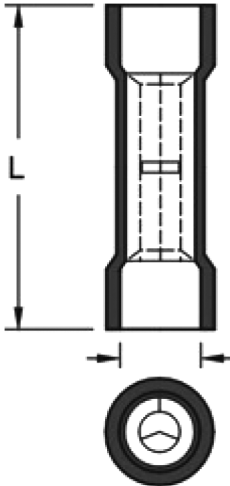
Max. Electrical Rating : 75°C 300V Max.

Connector Material : Brass

Insulation Material : Vinyl

Terminal Material : Brass

Insulation Colour : 22-16A.W.G. : Red, 16-14A.W.G. : Blue,
12-10A.W.G. : Yellow, 22-16A.W.G.: Red
16-14A.W.G.: Blue, 12-10A.W.G.: Yellow

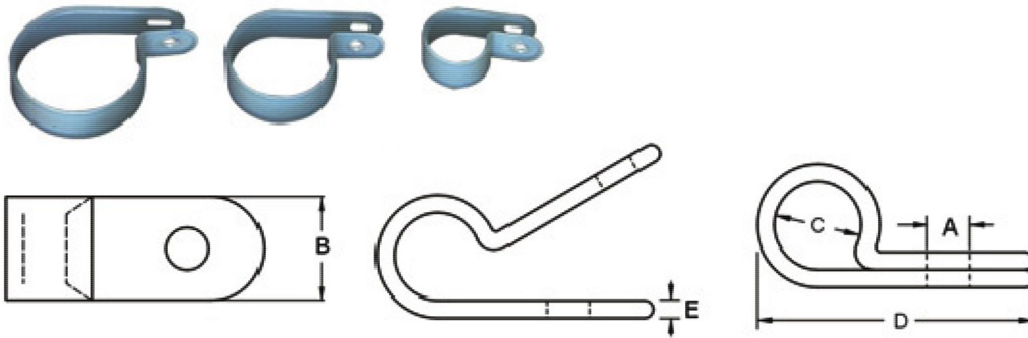


Part Number	Wire Range	Dimension	Material	Qty
		L		
BVS1	22-16 AWG	0.969"	Brass Plate	25
	0.5-1.5mm ²	24.6mm		
BVS2	16-14 AWG	0.472"	Brass Plate	25
	1.5-2.5mm ²	0.969"		
BVS5	22-16 AWG	1.043"	Brass Plate	12
	0.5-1.5mm ²	26.5mm		

Crimp Terminal Kit



Cable Clamp



Specifications:

Max. Server Temperature : 85°C
 Material : Nylon 6.6

Part Number	Dimensions					Qty
	A	B	C	D	E	
HW-1/4	0.181"	0.394"	0.252"	0.866"	0.055"	5
	4.6mm	10mm	6.4mm	22mm	1.4mm	
HW-3/16	0.181"	0.378"	0.189"	0.780"	0.055"	5
	4.6mm	9.6mm	4.8mm	19.8mm	1.4mm	
HW-1/8	0.181"	0.378"	0.126"	0.685"	0.047"	3
	4.6mm	9.6mm	3.2mm	17.4mm	1.2mm	

Screw-On Wire Cap Connectors (with Spring Insert)

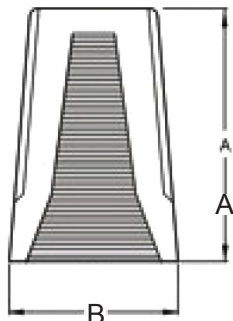


Specifications:

Temperature Rating : 85°C
 Max. Electrical Rating : 300V

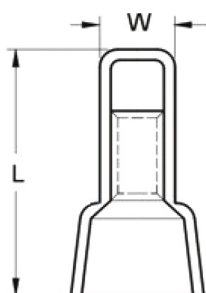


Crimp Terminal Kit



Part Number	Suitable Wire (AWG & No.)	Dimension		Qty
		A	B	
WN1-GREY	Min. = #20 × 1 + #22 × 1	0.598"	0.339"	4
	Max. = #16 × 2	15.2mm	8.6mm	
WN2-BLUE	Min. = #20 × 3	0.693"	0.386"	4
	Max. = #16 × 3	17.6mm	9.8mm	
WN3-ORANGE	Min. = #20 × 3	0.866"	0.472"	4
	Max. = #16 × 3 + #18 × 1	22mm	12mm	
WN4-YELLOW	Min. = #14 × 1 + #18 × 1	0.965"	0.551"	3
	Max. = #14 × 4 + #18 × 1	24.5mm	14.0mm	
WN6-RED	Min. = #14 × 2	1.079"	0.661"	2
	Max. = #10 × 2 + #12 × 2	27.4mm	16.8mm	

Closed End Connectors



Specifications:

Max. Electric Current	A.W.G.	22	20	18	16	14	12	10	8
	AMP.	9	12	17	18	30	35	50	70

Max. Electrical Rating : 105°C 600V Max.

Part Number	Wire Range	Dimension		Qty
		W	L	
CE2	16-14 AWG	0.217"	0.827"	25
	1.5-2.5mm ²	5.5mm	21mm	



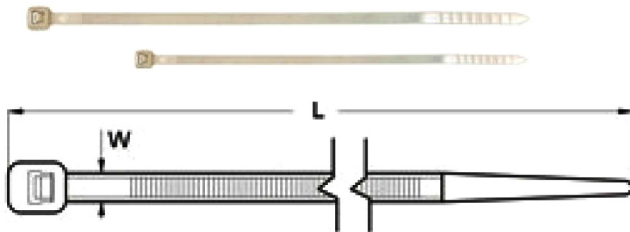
Crimp Terminal Kit



Grommets

Part Number	Description	Qty
GR-1/8	Grommet Length 11/32" Width 3/16"	5
GR-3/16	Grommet Length 7/16" Width 7/32"	
GR-1/4	Grommet Length 9/16" Width 1/4"	
GR-5/16	Grommet Length 5/8" Width 7/16"	
GR-3/8	Grommet Length 5/8" Width 1/4"	

Nylon Cable Ties



Specifications:

Max. Server Temperature : -40°C to +105°C
 Material : Nylon 6.6

Part Number	Dimension		Max. Bundle Dia.	Min. Tensile Strength	Qty
	L	W			
K-190S	7.48"	0.18"	2.047"	50 lbs	12
	190mm	4.6mm	52mm	22 kg	

Crimp Tool – HRI-126J – Qty =1



- Crimps All The Insulated Terminals
- 22-16 AWG (1.25mm²)
 - 16-14 AWG (2mm²)
 - 12-10 AWG (5.5mm²)

Part Number Table

Description	Part Number
Crimp Terminal Kit – 500 Piece	XT21-500

Important Notice : This data sheet and its contents (the "Information") belong to the members of the Premier Farnell group of companies (the "Group") or are licensed to it. No licence is granted for the use of it other than for information purposes in connection with the products to which it relates. No licence of any intellectual property rights is granted. The Information is subject to change without notice and replaces all data sheets previously supplied. The Information supplied is believed to be accurate but the Group assumes no responsibility for its accuracy or completeness, any error in or omission from it or for any use made of it. Users of this data sheet should check for themselves the Information and the suitability of the products for their purpose and not make any assumptions based on information included or omitted. Liability for loss or damage resulting from any reliance on the Information or use of it (including liability resulting from negligence or where the Group was aware of the possibility of such loss or damage arising) is excluded. This will not operate to limit or restrict the Group's liability for death or personal injury resulting from its negligence. Multicomp is the registered trademark of the Group. © Premier Farnell plc 2012.

