

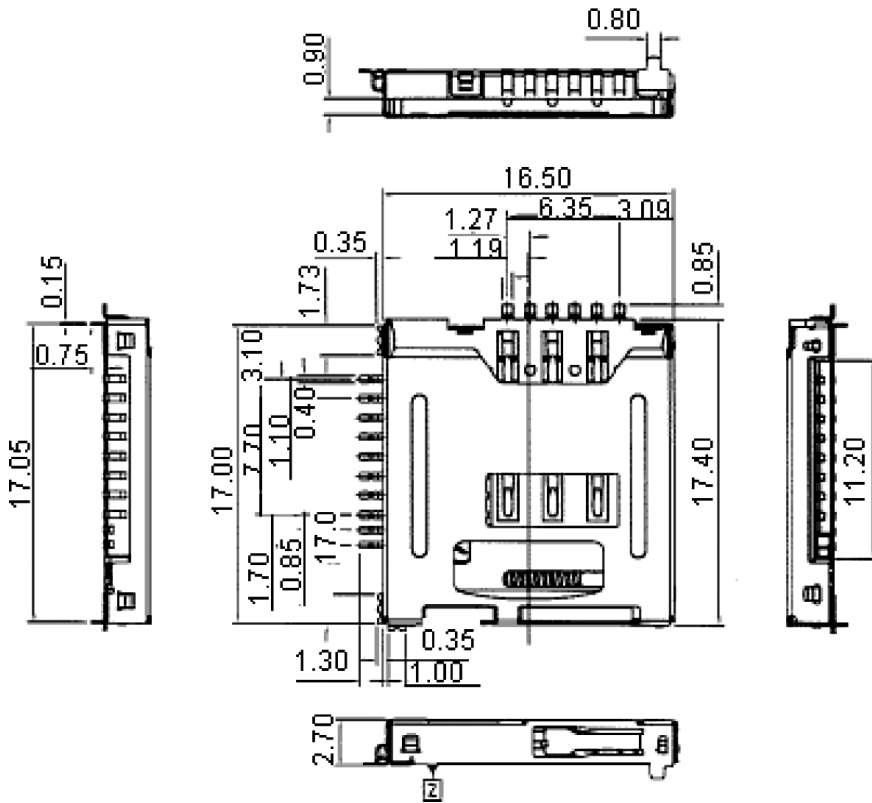


Specifications:

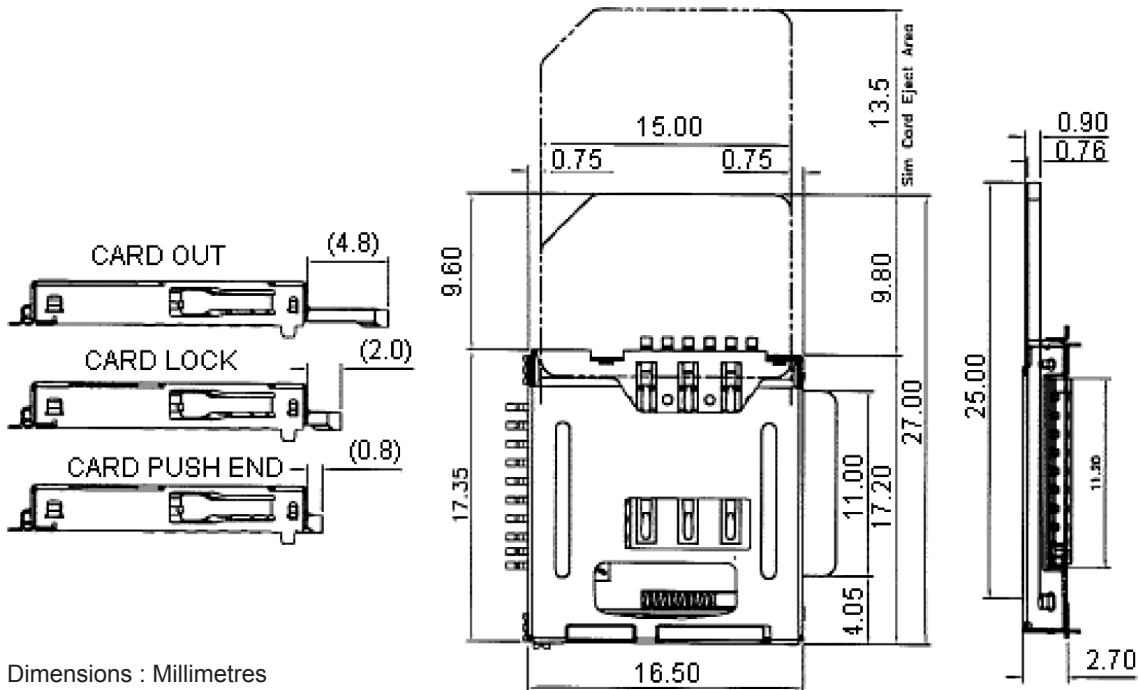
Connector Type	: SIM
No. of Contacts	: 16
Contact Material	: Phosphor Bronze
Contact Plating	: Gold
Contact Termination	: Surface Mount Right Angle
Colour	: Silver
Mounting Type	: PCB
Finishes	: 2-1. Contact switch and detect : Nickel underplated gold plating on contact, tin plating on solder tail : 2-2. Top shell : 3µ inches minimum gold flash over nickel underplated on solder pad
Coplanarity of Solderails	: 0.1 maximum misalignment of solder tail from "Z" : Upper direction 0.05 maximum, lower direction 0.05 maximum
Mechanical Specification	: Repeated 10,000 times mating and unmating cycles and still meet electrical characteristics
Electrical Specification	: Rate current (per contact) : 0.5A maximum and temperature rise should be 30°C maximum : Insulation resistance (LR) : 1,000MΩ minimum : Dielectric with standing voltage : 500V AC : Contact resistance : 100mΩ maximum

Item	Part Name	Material	Colour	Finish
1	Housing	PA9T & LCP	Black	-
2	Slider	Thermal Plastic		-
3	TF Contact	PP/ Bronze	-	Au Plated
4	SIM Contact		-	
5	Top Shell	SUS	-	-
6	Bottom Shell		-	-
7	Lock Spring		-	-
8	Coil Spring	SWPB	-	Ni Plated
9	Crank-axle	SUS	-	-
10	Short Pin	PP/ Bronze	-	Au Plated
11	Switch A		-	
12	Switch B		-	

Micro SD

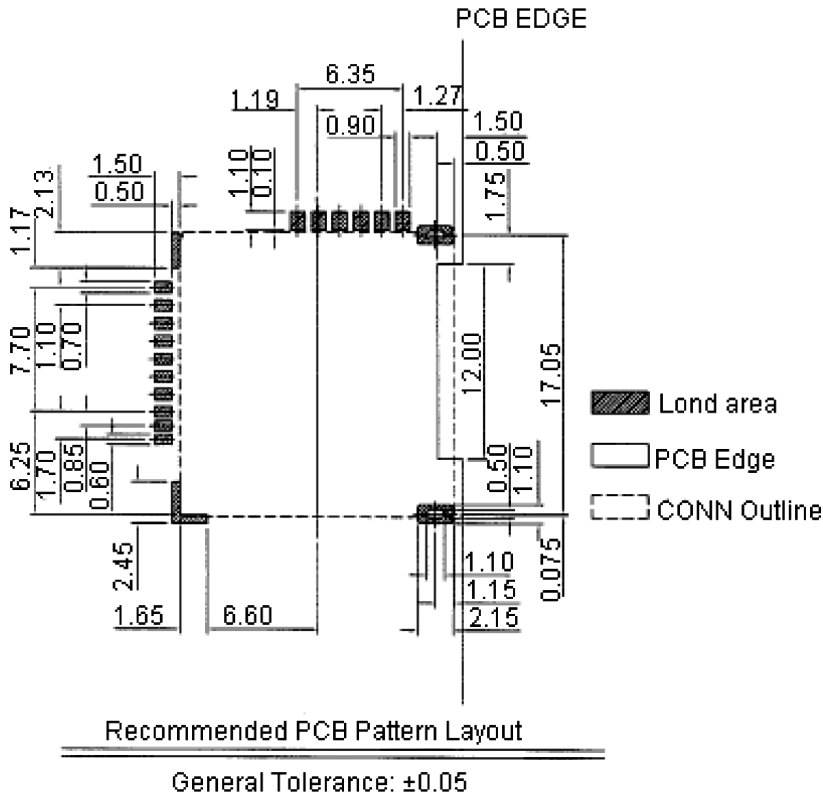


Dimensions : Millimetres



Dimensions : Millimetres

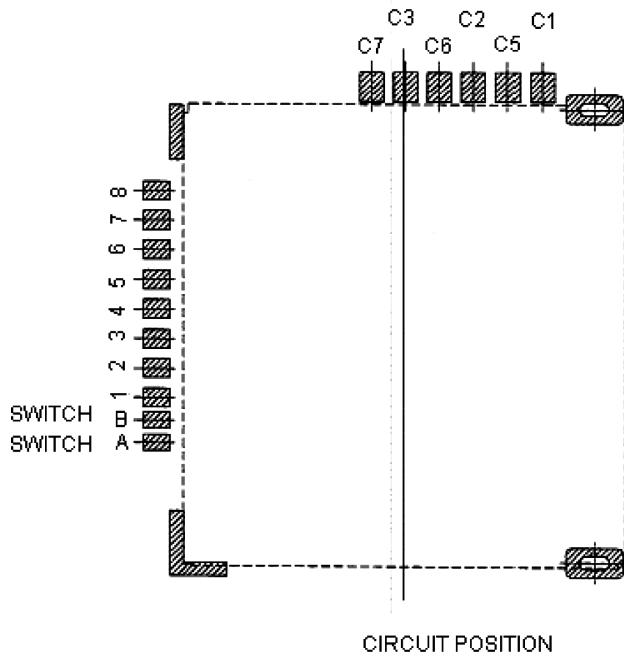
Micro SD Card



Dimensions : Millimetres

Micro SD Card			
Item	Name	Type	Description
1	DAT2	I/O/PP	Date Line (bit2)
2	CD/DAT3		Cord Detect Date Line (bit3)
3	CMD	PP	Commond Response
4	VDD	S	Supply Voltage
5	CLK	I	Clock
6	VSS	S	Supply Voltage Ground
7	DAT0	I/O/PP	Date Line (bit0)
8	DAT1		Date Line (bit1)

SIM Card



Dimensions : Millimetres

SIM Card	
Pin no.	Name
C1	VCC
C2	RST
C3	CLK
C4	Reserved
C5	GND
C6	VPP
C7	I/O
C8	Reserved

Part Number Table

Description	Part Number
Micro SD	AIO2X-21605BT00

Important Notice : This data sheet and its contents (the "Information") belong to the members of the Premier Farnell group of companies (the "Group") or are licensed to it. No licence is granted for the use of it other than for information purposes in connection with the products to which it relates. No licence of any intellectual property rights is granted. The Information is subject to change without notice and replaces all data sheets previously supplied. The Information supplied is believed to be accurate but the Group assumes no responsibility for its accuracy or completeness, any error in or omission from it or for any use made of it. Users of this data sheet should check for themselves the Information and the suitability of the products for their purpose and not make any assumptions based on information included or omitted. Liability for loss or damage resulting from any reliance on the Information or use of it (including liability resulting from negligence or where the Group was aware of the possibility of such loss or damage arising) is excluded. This will not operate to limit or restrict the Group's liability for death or personal injury resulting from its negligence. Multicomp is the registered trademark of the Group. © Premier Farnell plc 2012.